

Recessed backlit LED suitable for SAS 330 metal pan ceiling system

- Schools
- Colleges
- Hospitals
- Offices
- Boardrooms



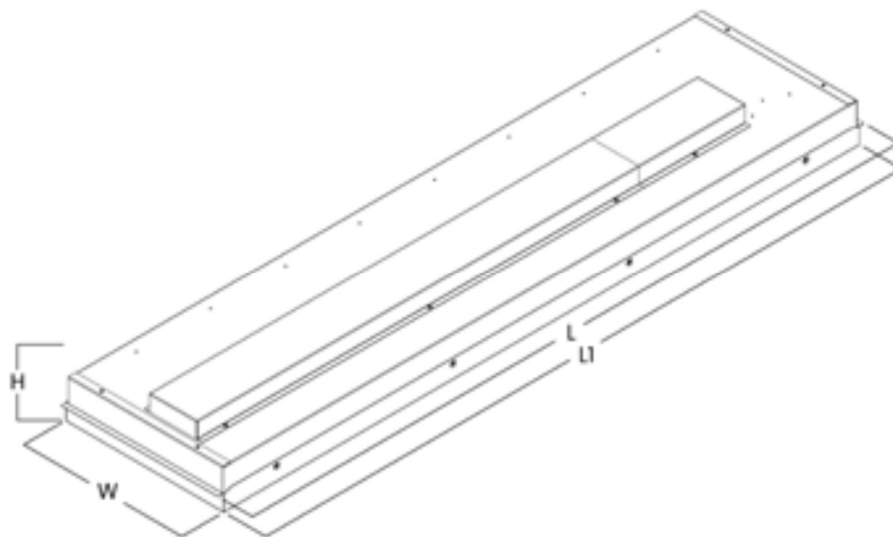
Features

- Steel fabricated body
- Micro-prism diffuser optic
- Epoxy powder coated RAL9010
- IP40
- 850° Glow wire test
- UGR<19 (Micro-prism)

Options

- Opal Diffuser (**OP**)
- Integrated 3hr emergency -Standard (**M3**)
- Self-Testing Emergency (**STE**)
- DALI Monitored emergency (**D3**)
- DALI (**DA**)
- Casambi Wireless Control (**BTC**)
- 3000 Kelvin (**suffix 4K to 3K**)

Dimensions



L = 1200mm x L1 = 1194mm x W = 297mm x H = 100mm

Product Code

DSA-30-4K-MPO-WH	Delta 1200 x 300, 4K, 30w, 4,271lm, micro-prism, RAL9010
DSA-35-4K-MPO-WH	Delta 1200 x 300, 4K, 35w, 4,983lm, micro-prism, RAL9010
DSA-40-4K-MPO-WH	Delta 1200 x 300, 4K, 40w, 5,695lm, micro-prism, RAL9010
DSA-45-4K-MPO-WH	Delta 1200 x 300, 4K, 45w, 6,407lm, micro-prism, RAL9010

** Suffix end of code for required option**

Example: DSA-30-4K-MPO-WH-DA-D3

Delta , 30w, 4K c/w micro-prism optic, DALI & DALI monitored emergency facility