

- Corridors
- Offices
- Receptions
- Toilets
- Break-out



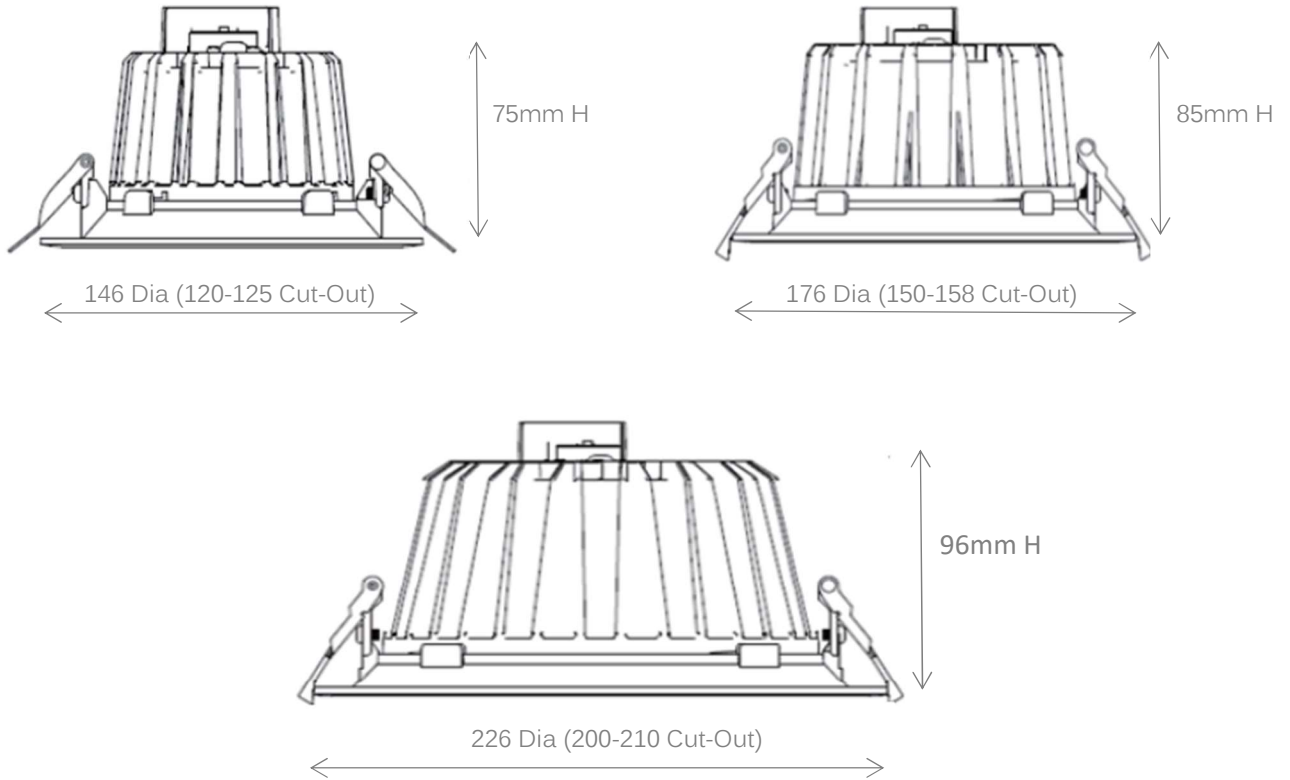
Features

- Die-Cast aluminium body & bezel
- Polycarbonate impact resistant diffuser
- Wattage & CCT selectable
- High efficiency up to 140lm/w
- IP54
- 60° reflector UGR<19

Options

- 3hr emergency facility (**M3**)
- 3hr DALI monitored emergency (**D3**)
- 3hr Self-Testing emergency (**STE**)
- DALI (**DA**)
- Casambi wireless Control (**BTC**)

Dimensions



Product Code

CRS-S-SW-CCT-WH	Crescent 10/16w, 146mm dia, 1250-2000lm, 3K/4K selectable
CRS-M-SW-CCT-WH	Crescent 14/20w, 176mm dia, 1800-2650lm, 3K/4K selectable
CRS-L-SW-CCT-WH	Crescent 15/23w, 226mm dia, 2050-3200lm, 3K/4K selectable

** Suffix end of code with options required **

Example: CRS-M-SW-CCT-WH-DA – Crescent 176mm dia c/w DALI dimmable driver