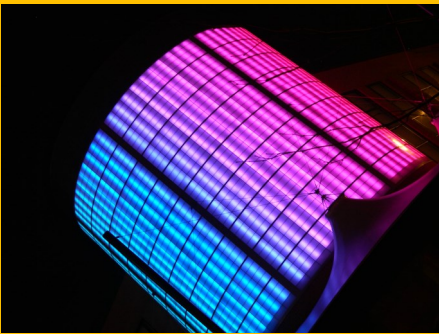


# Commercial Lighting Solutions



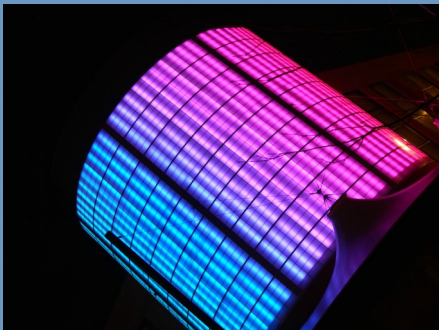
# Designers and Manufacturers

ALD lighting was established in 1988, primarily to provide a design and manufacturing service to others within the lighting industry. As the business progressively developed, our success enabled us to further reinforce the resources available to establish a corporate identity as a leading supplier of bespoke and standard luminaires.

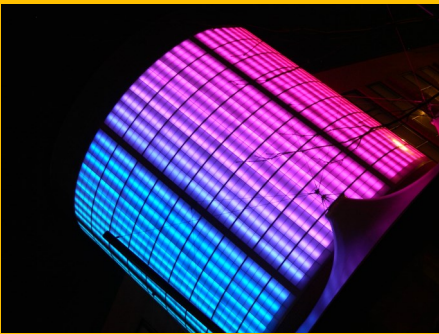
Modern buildings require a high diverse range of services specifically designed to satisfy the requirements of mainly its occupants, lighting being a major necessity it generally brings its own unique challenges to correctly and efficiently provide this. We at ALD know the need to treat each project individually, developing bespoke solutions for every project circumstance.

We strive to add value and hopefully contribute in turn a basis for our customers success by our commitment in providing first class technical lighting and scheme design, along with tried and tested methods of manufacture, enabling us to supply energy efficient cost effective, quality assured products.

We hope our product range covers most requirement applications however, our technical and sales team are always on hand to advise on any lighting product or scheme design requirement.



# Commercial Lighting Solutions



Corner mounted Anti-Vandal luminaire c/w anti-tamper fixings .

- Railways
- Subways
- Underground passages
- Prison
- Psychiatric Unit
- Mental Health



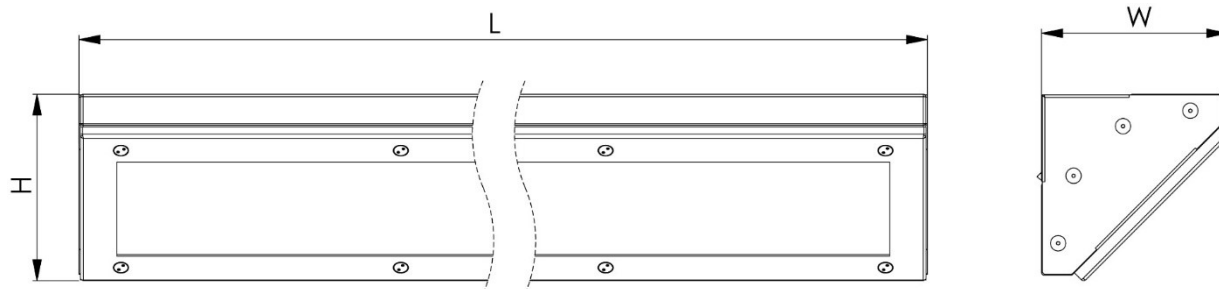
## Features

- Fabricated sheet metal housing, fully welded construction
- Opal UV stabilised polycarbonate diffuser 850° glow wire
- Epoxy power coated RAL9016 as standard
- Stainless Steel anti-tamper fixings
- Branded LED boards & Driver
- IP65
- IK10+ Mechanical impact resistance

## Options

- Integrated 3hr emergency -Standard **(M3)** – Self Testing **(STE)**
- DALI **(DA)**
- DALI Monitored emergency **(D3)**
- Microwave Sensor **(MW1)**
- Casambi Wireless Control **(BTC)**
- Custom body finishes available on request **(RAL)**

## Dimensions



## Product Code

TRA-13-4K-WH	Trend 13w, 4K, 1,548lm, 380mm L x 135mm W x 135mm H
TRA-19-4K-WH	Trend 19w, 4K, 2,334lm, 660mm L x 135mm W x 135mm H
TRA-28-4K-WH	Trend 28w, 4K, 3,502lm, 940mm L x 135mm W x 135mm H
TRA-38-4K-WH	Trend 38w, 4K, 4,668lm, 1220mm L x 135mm W x 135mm H
TRA-55-4K-WH	Trend 55w, 4K, 5,295lm, 1500mm L x 135mm W x 135mm H

\*\* Suffix WH to RAL for Custom body finish

\*\* Suffix end of code **(M3)** for emergency facility or **(MW1)** for Microwave sensor

Example: TRA-38-4K-WH-M3-MW1

Trend - A c/w 3hr Emergency and Microwave sensor

Recessed Anti-Vandal luminaire c/w anti-tamper fixings .

- Railways
- Subways
- Underground passages
- Prison
- Psychiatric Unit
- Mental Health



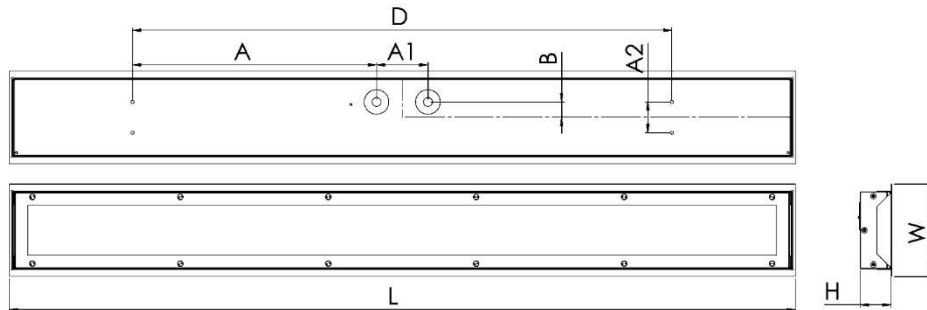
## Features

- Fabricated sheet metal housing, fully welded construction
- Opal UV stabilised polycarbonate diffuser 850° glow wire
- Epoxy power coated RAL9016 as standard
- Stainless Steel anti-tamper fixings
- Branded LED boards & Driver
- IP65
- IK10+ Mechanical impact resistance

## Options

- Integrated 3hr emergency -Standard **(M3)** – Self Testing **(STE)**
- DALI **(DA)**
- DALI Monitored emergency **(D3)**
- Microwave Sensor **(MW1)**
- Casambi Wireless Control **(BTC)**
- Custom body finishes available on request **(RAL)**

## Dimensions



L, mm	W, mm	H, mm	D, mm	A, mm	A <sub>1</sub> , mm	A <sub>2</sub> , mm	B, mm
410	180	65	300	100	100	60	30
690			450	175			
970			600	250			
1250			900	400			
1530			1050	525			

## Product Code

TRR-13-4K-WH	Trend 13w, 4K, 1,548lm, 410mm L x 180mm W x 65mm H
TRR-19-4K-WH	Trend 19w, 4K, 2,334lm, 690mm L x 180mm W x 65mm H
TRR-28-4K-WH	Trend 28w, 4K, 3,502lm, 970mm L x 180mm W x 65mm H
TRR-38-4K-WH	Trend 38w, 4K, 4,668lm, 1250mm L x 180mm W x 65mm H
TRR-41-4K-WH	Trend 41w, 4K, 5,295lm, 1530mm L x 180mm W x 65mm H

\*\* Suffix WH to RAL for Custom body finish

\*\* Suffix end of code (**M3**) for emergency facility or (**MW1**) for Microwave sensor

Example: TR1-38-4K-WH-M3-MW1

Trend - R c/w 3hr Emergency and Microwave sensor

Surface mounted Anti-Vandal luminaire c/w anti-tamper fixings .

- Railways
- Subways
- Underground passages
- Prison
- Psychiatric Unit
- Mental Health



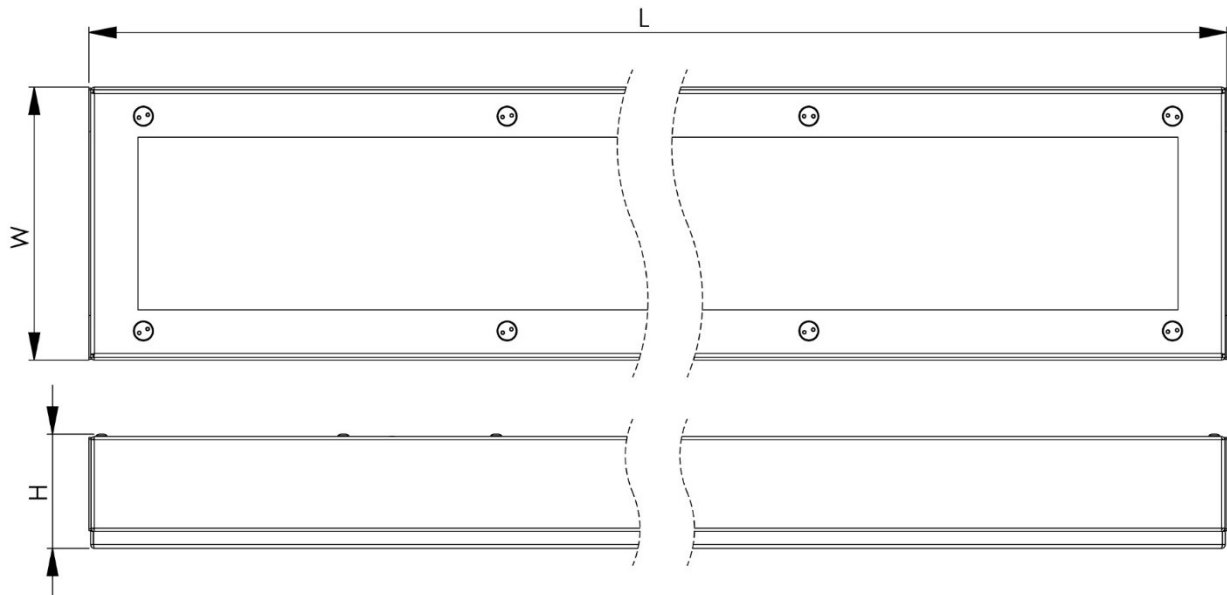
## Features

- Fabricated sheet metal housing, fully welded construction
- Opal UV stabilised polycarbonate diffuser 850° glow wire
- Epoxy power coated RAL9016 as standard
- Stainless Steel anti-tamper fixings
- Branded LED boards & Driver
- IP65
- IK10+ Mechanical impact resistance

## Options

- Integrated 3hr emergency -Standard **(M3)** – Self Testing **(STE)**
- DALI **(DA)**
- DALI Monitored emergency **(D3)**
- Microwave Sensor **(MW1)**
- Casambi Wireless Control **(BTC)**
- Custom body finishes available on request **(RAL)**

## Dimensions



## Product Code

TRS-13-4K-WH	Trend S 13w, 4K, 1,548lm, 380mm L x 150mm W x 65mm H
TRS-19-4K-WH	Trend S 19w, 4K, 2,334lm, 660mm L x 150mm W x 65mm H
TRS-28-4K-WH	Trend S 28w, 4K, 3,502lm, 940mm L x 150mm W x 65mm H
TRS-38-4K-WH	Trend S 38w, 4K, 4,668lm, 1220mm L x 150mm W x 65mm H
TRS-41-4K-WH	Trend S 55w, 4K, 5,295lm, 1500mm L x 150mm W x 65mm H

\*\* Suffix WH to RAL for Custom body finish

\*\* Suffix end of code (**M3**) for emergency facility or (**MW1**) for Microwave sensor

Example: TRS-38-4K-WH-M3-MW1

Trend - S c/w 3hr Emergency and Microwave sensor

Wall mounted Anti-Vandal luminaire c/w anti-tamper fixings .

- Railways
- Subways
- Underground passages
- Prison
- Psychiatric Unit
- Mental Health



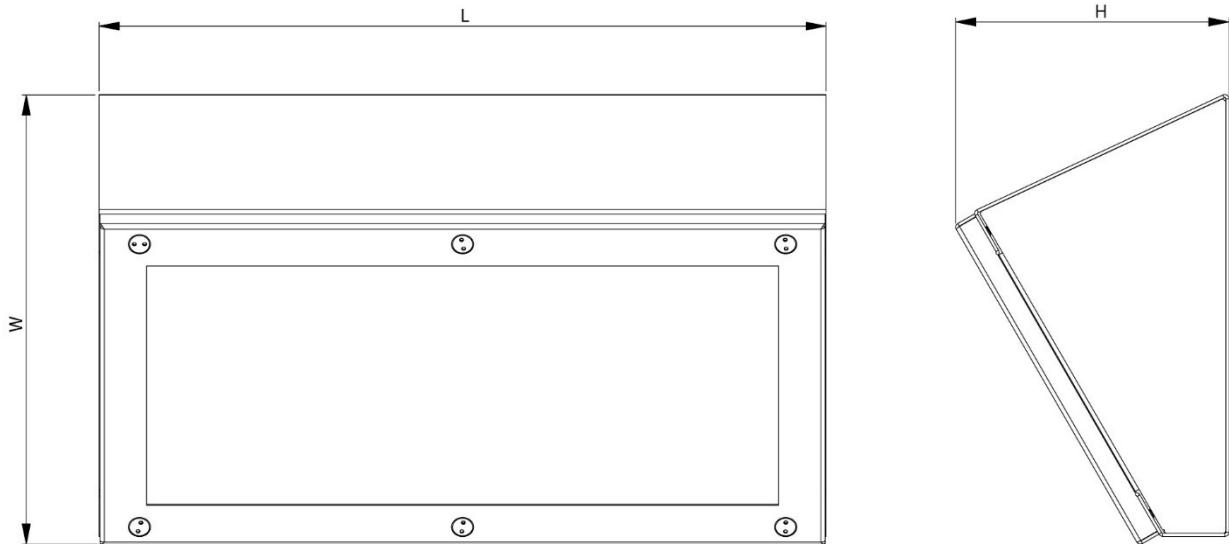
## Features

- Fabricated sheet metal housing, fully welded construction
- Opal UV stabilised polycarbonate diffuser 850° glow wire
- Epoxy power coated RAL9016 as standard
- Stainless Steel anti-tamper fixings
- Branded LED boards & Driver
- IP65
- IK10+ Mechanical impact resistance

## Options

- Integrated 3hr emergency -Standard **(M3)** – Self Testing **(STE)**
- DALI **(DA)**
- DALI Monitored emergency **(D3)**
- Casambi Wireless Control **(BTC)**
- Custom body finishes available on request **(RAL)**

## Dimensions



## Product Code

TRW-11-4K-WH                      Trend W 11w, 4K, 1,208lm, 390mm L x 110mm W x 150mm H

TRW-13-4K-WH                      Trend W 13w, 4K, 2,526lm, 390mm L x 110mm W x 150mm H

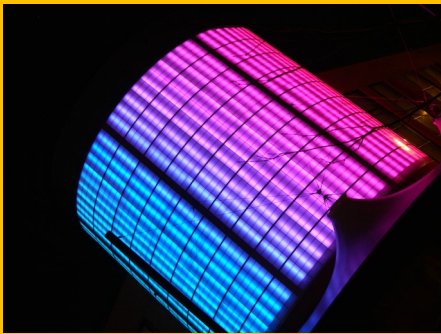
\*\* Suffix WH to RAL for Custom body finish

\*\* Suffix end of code (M3) for emergency facility or (MW1) for Microwave sensor

Example: TRS-38-4K-WH-M3

Trend - W c/w 3hr Emergency

# Commercial Lighting Solutions



# Capri – 70

Low glare LED downlight, IP54 with die-cast bezel in brilliant RAL9003

- Domestic Dwellings
- Offices
- Schools



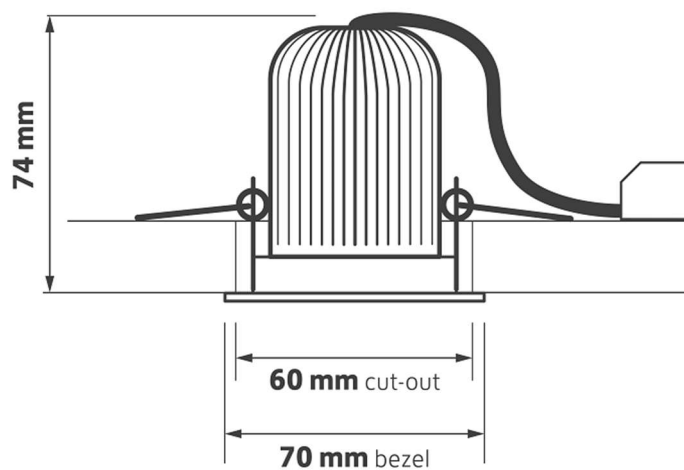
## Features

- Professional, minimal IP54 LED downlight
- Die-cast low profile bezel, white RAL9003
- Injection moulded 36° faceted reflector
- High efficacy, low glare
- No visible flicker (IEEE PAR1789 2015)

## Options

- DALI dimming – **(DA)**
- Phase-cut dimming – **(MDIM)**
- Remote 3hr emergency – **(M3)**
- Remote self-test 3hr emergency - **(STE)**
- Casambi Wireless control – **(BTC)**
- Black bezel – **(BK)**

## Dimensions



## Product Code

C70-8-3K-WH

C70, IP54 downlight, 8w, 3K, 750lm, c/w white bezel

C70-8-4K-WH

C70, IP54 downlight, 8w, 4K, 775lm, c/w white bezel

\*\* Example – C70-8-4K-WH-MDIM

C70 downlight, 8w, 4K, white bezel c/w mains dimming

# Capri – 85

Architectural low glare LED downlight, IP44 with die-cast bezel in matt white RAL9003

- Corridors
- Offices
- Toilets
- Break-Out



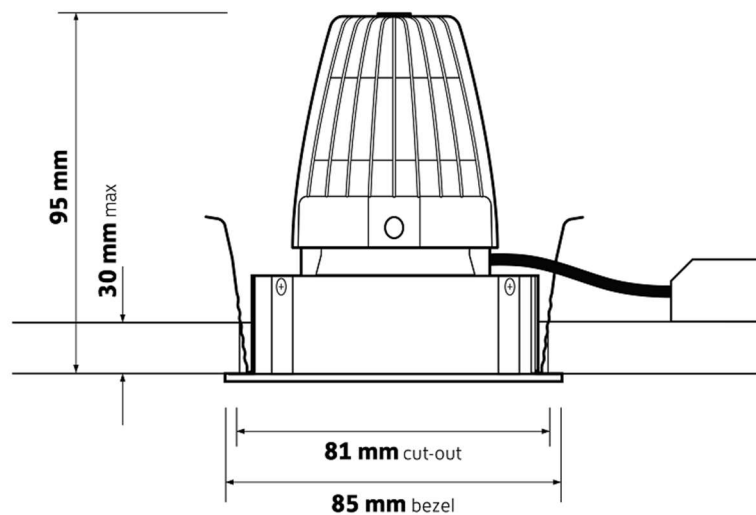
## Features

- Tridonic LED and driver system for optimum performance
- Matt white bezel RAL9003
- Matt black darklight baffle RAL9005 – developed to minimise glare
- Fitted with an integral IP44 protective lens as standard
- Precision moulded 40° reflector
- Excellent thermally optimised 24 super-fin die-cast heatsink

## Options

- DALI dimming – **(DA)**
- Remote 3hr emergency – **(M3)**
- Remote self-test 3hr emergency - **(STE)**
- Remote DALI monitored emergency – **(D3)**
- Casambi Wireless control – **(BTC)**
- White softlight baffle – **(WSB)**
- Ra9 high colour rendering – **(Ra9)**
- Plaster-In Bezel – **(PI)**

## Dimensions



## Product Code

C85-86-3K-WH	C85, LED downlight, 6w, 3K, 675lm, c/w white bezel
C85-6-4K-WH	C85, LED downlight, 6w, 4K, 700lm, c/w white bezel
C85-8-3K-WH	C85, LED downlight, 8w, 3K, 850lm, c/w white bezel
C85-8-4K-WH	C85, LED downlight, 8w, 4K, 900lm, c/w white bezel

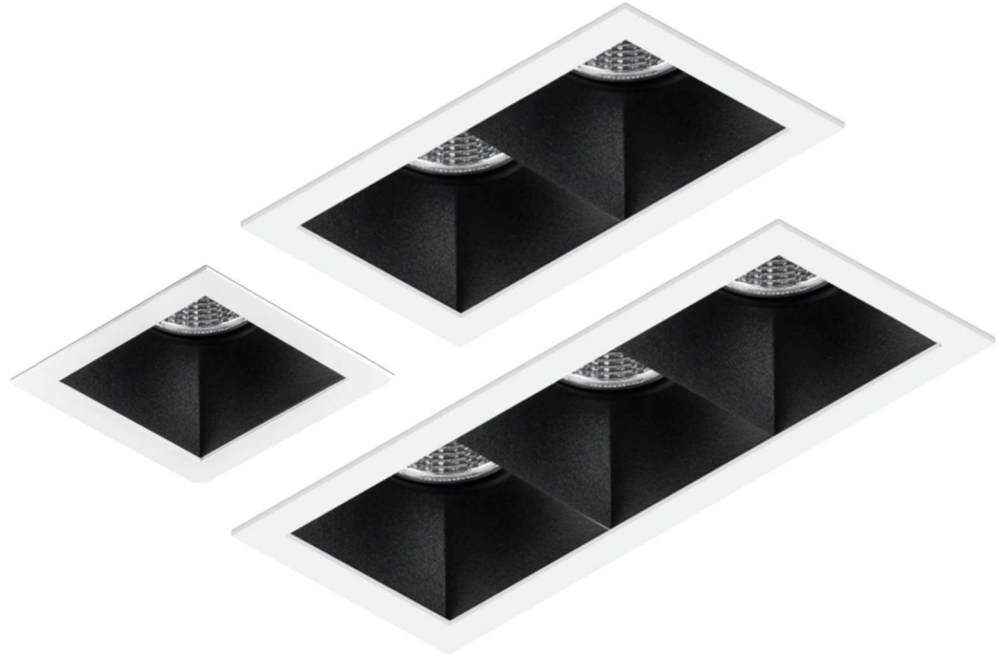
\*\* Example – C85-8-4K-WH-DA-WSB

C85 downlight, 8w, 900lm, 4K, white bezel c/w DALI dimming & white softlight baffle

# Capri – 85S

Low glare architectural LED downlight, IP44 with die-cast bezel RAL9003 dark light baffle

- Corridors
- Offices
- Toilets
- Break-Out



## Features

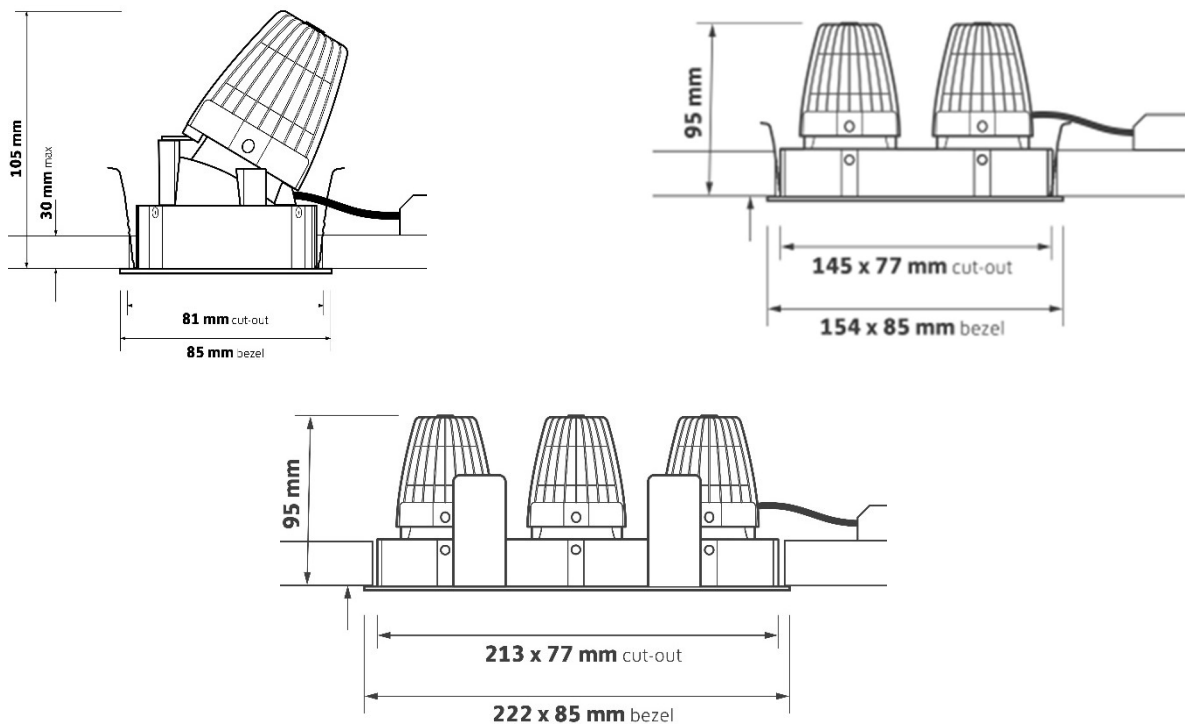
- Tridonic LED and driver system for optimum performance
- Discreet minimal die-cast bezel – RAL9003 white
- Matt black darklight baffle RAL9005 IP44 protective lens as standard
- Precision moulded 40° reflector
- Life >55,000h (L90/F10)

## Options

- DALI dimming – **(DA)**
- Remote 3hr emergency – **(M3)**
- Remote self-test 3hr emergency - **(STE)**
- Remote DALI monitored emergency – **(D3)**
- Casambi Wireless control – **(BTC)**
- IP54 clear cover – **(54)**
- Plaster In Bezel – **(PI)**
- White softlight baffle – **(WSB)**

# Capri – 85S

## Dimensions



## Product Code

C85S-6-4K-BK-WH

Capri 85S, 6w, 600lm, 4K, single head black baffle, white bezel

C85S-8-4K-BK-WH

Capri 85S, 8w, 950lm, 4K, single head black baffle, white bezel

C85S-13-4K-BK-WH

Capri 85S, 13w, 1,350lm, 4K, twin head black baffle, white bezel

C85S-16-4K-BK-WH

Capri 85S, 16w, 1,800lm, 4K, twin head black baffle, white bezel

C85S-19-4K-BK-WH

Capri 85S, 19w, 2,100lm, 4K, triple head black baffle, white bezel

C85S-24-4K-BK-WH

Capri 85S, 24w, 2,700lm, 4K, triple head black baffle, white bezel

\*\*Suffix 4K to 3K for 3000 Kelvin

\*\* Suffix BK to WH for white softlight baffle

\*\* Example – C85S-24-4K-WH-DA

Capri 85S, 24w, 2,700lm, white softlight baffle & DALI dimming

# Capri – C130

Professional low glare high performance LED downlight, with minimalist die-cast bezel in brilliant RAL9016 & multi-faceted reflector

- Corridors
- Toilets
- Break-Out
- Offices



## Features

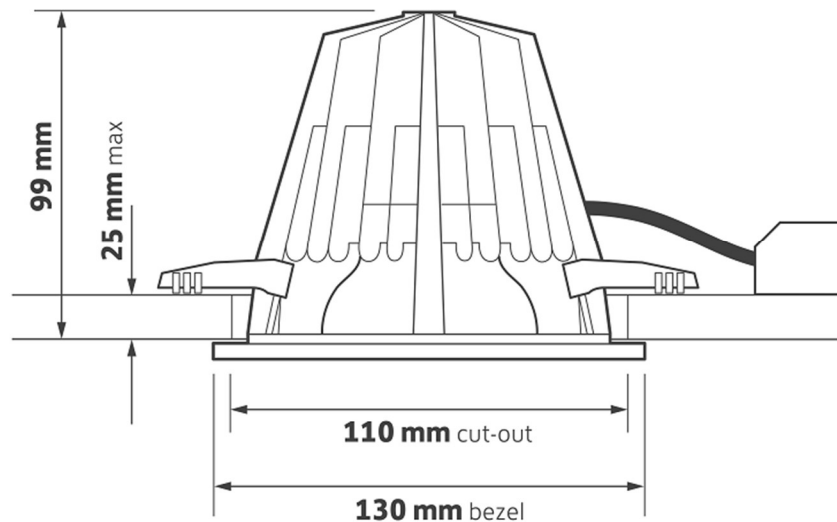
- Phillips LED and driver system for optimum performance
- 40° pure aluminium multi-faceted reflector as standard
- Lumen maintenance now L80/B10 @>50,000h
- IP54 and IP65 options
- Premium white Ra90 LED module available
- Height under 100mm using optimised thermodynamics

## Options

- DALI dimming – **(DA)**
- Remote 3hr emergency – **(M3)**
- Remote self-test 3hr emergency - **(STE)**
- Remote 3hr DALI monitored emergency - **(D3)**
- 50° satin reflector – **(SA50)**
- IP65 Bezel adaptor – **(/65)**
- IP54 sealed clear lens – **(/54)**
- Casambi Wireless control – **(BTC)**
- Custom bezel colour – **(RAL)**

# Capri – C130

## Dimensions



## Product Code

C130-1000-4K-WH	Capri 130, 8.0w, 4K, 1,050lm, c/w multi-facet reflector, white bezel
C130-1800-4K-WH	Capri 130, 13.5w, 4K, 1,800lm, c/w multi-facet reflector, white bezel
C130-2500-4K-WH	Capri 130, 19.0w, 4K, 2,525lm, c/w multi-facet reflector, white bezel
C130-3300-4K-WH	Capri 130, 27.0w, 4K, 3,375lm, c/w multi-facet reflector, white bezel
C130-4500-4K-WH	Capri 130, 40.0w, 4K, 4,550lm, c/w multi-facet reflector, white bezel

\*\* Suffix 4K to 3K for 3000 Kelvin

\*\* Example – C130-1800-4K-WH/DA

Capri 130 downlighter, 1,800lm, 4K, white bezel c/w DALI dimming

# Capri – 150

Low glare architectural surface mounted or suspended LED downlight RAL9016 as standard

- Corridors
- Offices
- Toilets
- Break-Out



## Features

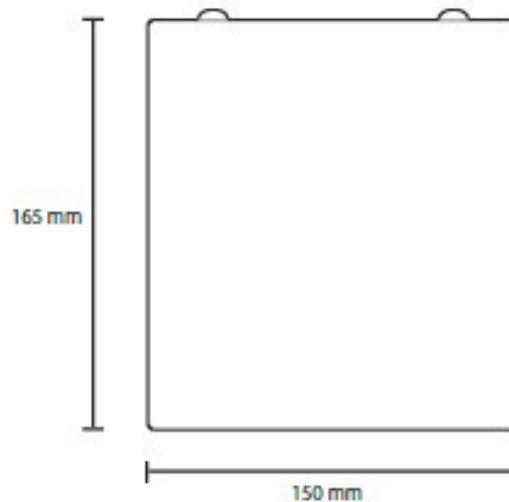
- Tridonic LED and driver system for optimum performance
- Multi-faceted 40° reflector as standard
- White can as standard RAL9016
- UGR<19 and ECA compliant variants
- Suspension option

## Options

- DALI dimming – (DA)
- Integral 3hr emergency – (M3)
- Integral self-test 3hr emergency - (STE)
- 2m suspension kit 3 x wires + ceiling plate – (SUS/2M)
- 40° specular reflector – (SP40)
- 50° Satin reflector – (SA50)
- Black can RAL9005 – (BK)
- Grey can RAL9006 – (GY)

# Capri – 150

## Dimensions



## Product Code

C150-8-4K-MF40-WH	Capri 150, 8w, 1,050lm, 4K, white body, multi-faceted reflector
C150-14-4K-MF40-WH	Capri 150, 14w, 1,775lm, 4K, white body, multi-faceted reflector
C150-19-4K-MF40-WH	Capri 150, 19w, 2,400lm, 4K, white body, multi-faceted reflector

\*\*Suffix 4K to 3K for 3000 Kelvin

\*\* Suffix WH to required body colour

\*\* Suffix MF40 with required reflector

\*\* Example – C150-19-4K-MF40-WH-DA

Capri 150, 19w, 2,400lm, white can, 40° multi-faceted reflector & DALI dimming

# Capri – 165

Professional high efficiency LED downlight with faceted reflector & die-cast body in RAL9010 white

- Corridors
- Offices
- Toilets
- Break-Out



## Features

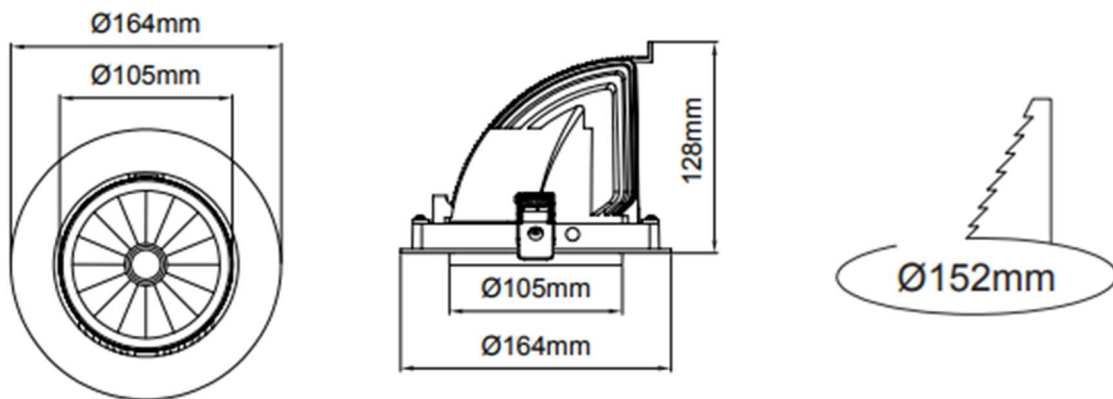
- Signify LED and driver system for optimum performance
- Die-Cast bezel – RAL9010 white
- Highly faceted reflector
- Life >60,000h (L70/B10)
- IP20

## Options

- DALI dimming – **(DA)**
- Remote 3hr emergency – **(M3)**
- Remote self-test 3hr emergency - **(STE)**
- Remote DALI monitored emergency – **(D3)**
- Casambi Wireless control – **(BTC)**

# Capri – 165

## Dimensions



## Product Code

C165-12-4K-WH	C165 LED downlight, 12w, 4K, 1,500lm, c/w white body
C165-20-4K-WH	C165, LED downlight, 20w, 4K, 2,420lm, c/w white body
C165-24-4K-WH	C165, LED downlight, 24w, 4K, 2,904lm, c/w white body
C165-28-4K-WH	C165, LED downlight, 28w, 4K, 3,388lm, c/w white body
C165-31-4K-WH	C165, LED downlight, 31w, 4K, 3,751lm, c/w white body

\*\*Suffix 4K to 3K for 3000 Kelvin

\*\* Example – C165-12-4K-WH-DA

C165 downlight, 12w, 1,500lm, 4K, white body c/w DALI dimming

# Capri – 170

Professional high efficiency LED downlight with specular reflector & die-cast bezel in RAL9010 white

- Corridors
- Offices
- Toilets
- Break-Out



## Features

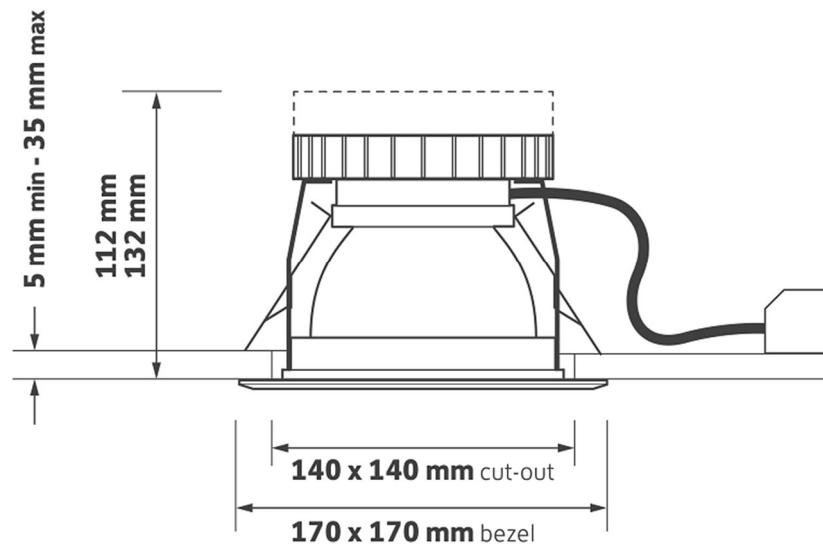
- Philips LED and driver system for optimum performance
- Die-Cast bezel – RAL9010 white
- Highly specular reflector
- Life >60,000h (I70/B10)

## Options

- DALI dimming – **(DA)**
- Remote 3hr emergency – **(M3)**
- Remote self-test 3hr emergency - **(STE)**
- Remote DALI monitored emergency – **(D3)**
- Casambi Wireless control – **(BTC)**
- IP54 clear cover – **(54)**

# Capri – 170

## Dimensions



## Product Code

C170-1100-4K-WH	C170, LED downlight, 11w, 4K, 1,075lm, c/w white bezel
C170-2000-4K-WH	C170, LED downlight, 20w, 4K, 2,075lm, c/w white bezel
C170-3000-4K-WH	C170, LED downlight, 30w, 4K, 3,075lm, c/w white bezel
C170-5000-4K-WH	C170, LED downlight, 47w, 4K, 4,800lm, c/w white bezel

\*\*Suffix 4K to 3K for 3000 Kelvin

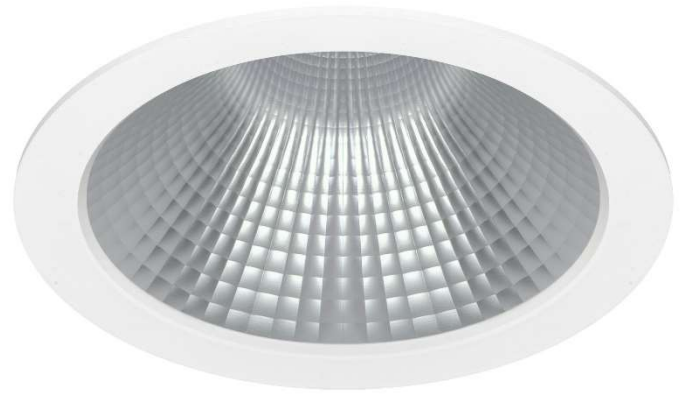
\*\* Example – C170-1100-4K-WH-DA

C170 downlight, 11w, 1,100lm, 4K, white bezel c/w DALI dimming

# Capri – C192

Professional high performance LED downlight, with minimalist die-cast bezel in brilliant RAL9016 & multi-faceted reflector

- Corridors
- Toilets
- Break-Out
- Offices



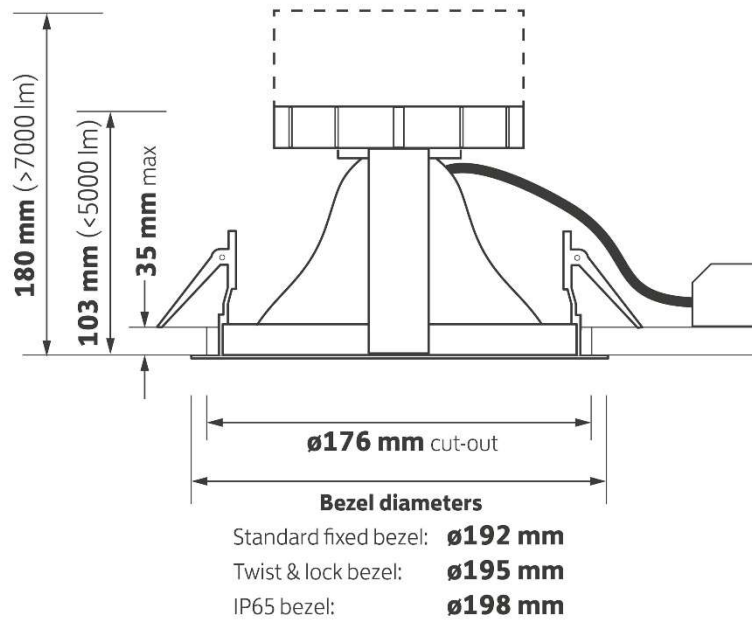
## Features

- Tridonic SLE LED module and driver system
- Low glare multi-faceted 55° aluminium reflector
- Up to 139 luminaire lumens per circuit Watt
- Nominal rated life >50,000h L90
- MacAdam colour tolerance <3SDCM
- CIBSE TM66 Assessment “Excellent circularity”

## Options

- DALI dimming – **(DA)**
- Remote 3hr emergency – **(M3)**
- Remote self-test 3hr emergency - **(STE)**
- Remote 3hr DALI monitored emergency - **(D3)**
- Twist & lock bezel – **(TA300)**
- IP65 Bezel adaptor – **(/65)**
- IP54 sealed clear lens – **(/54)**
- Casambi Wireless control – **(BTC)**
- Custom bezel colour – **(RAL)**

## Dimensions



## Product Code

C192-1200-4K-WH	Capri 192, 9.0w, 4K, 1,250lm, c/w faceted reflector, white bezel
C192-2000-4K-WH	Capri 192, 14.5w, 4K, 1,975lm, c/w faceted reflector, white bezel
C192-3000-4K-WH	Capri 192, 24.5w, 4K, 3,325lm, c/w faceted reflector, white bezel
C192-5000-4K-WH	Capri 192, 37.0w, 4K, 4,825lm, c/w faceted reflector, white bezel
*C192-8000-4K-WH	Capri 192, 65.5w, 4K, 8,250lm, c/w faceted reflector, white bezel
*C192-10000-4K-WH	Capri 192, 94.5w, 4K, 10,300lm, c/w faceted reflector, white bezel

\*\* Suffix 4K to 3K for 3000 Kelvin

\*\* Example – C192-2000-4K-WH/DA

Capri 192 downlighter, 2000lm, 4K, white bezel c/w DALI dimming

# Capri – 200

Surface mounted LED drum downlighter with option of reflectors

- Corridors
- Offices
- Toilets
- Break-Out
- Reception



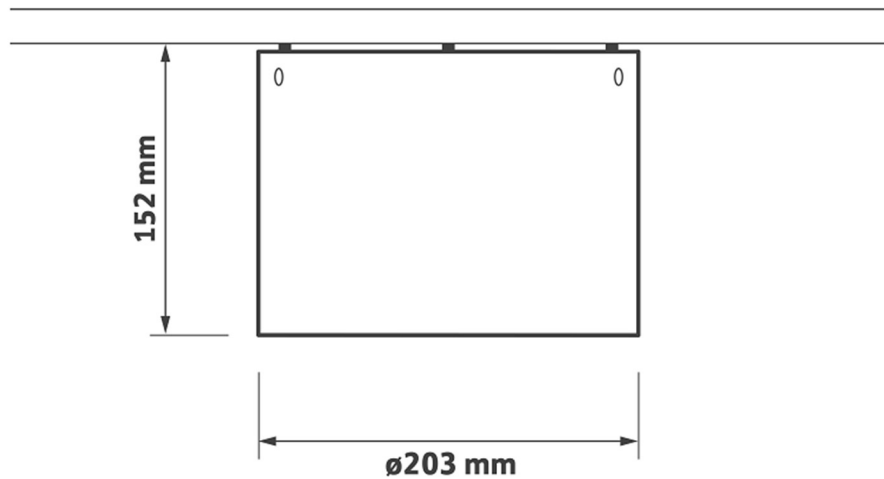
## Features

- Philips DOB system inside
- Lightweight spun aluminium surface can with a range of reflectors
- 60° Satin etched reflector providing an optical efficiency of 87%
- Pendant version available with 2mtr adjustable suspension kit
- Black, White, Grey body colour option
- Custom colour option available on request

## Options

- DALI dimming – **(DA)**
- Casambi Wireless control – **(BTC)**
- Body colour options - **(RAL)**
- 40° Specular reflector – **(SP40)**
- 50° Multi-facet reflector – **(MF50)**
- Suspension Kit – **(SUS-2M)**

## Dimensions



## Product Code

C200-9-4K-WH	C200, LED downlight, 9.0w, 4K, 1,250lm, c/w white body
C200-15-4K-WH	C200, LED downlight, 15.0w, 4K, 2,000lm, c/w white body
C200-24-4K-WH	C200, LED downlight, 24.0w, 4K, 3,125lm, c/w white body

\*\*Suffix 4K to 3K for 3000 Kelvin

\*\* Example – C200-9-4K-WH-DA

C200 downlight, 9w, 1,250lm, 4K, white body c/w DALI dimming

# Capri – C232

Professional large high performance LED downlight, with minimalist die-cast bezel in brilliant RAL9016 & satin reflector

- Corridors
- Toilets
- Break-Out
- Offices



## Features

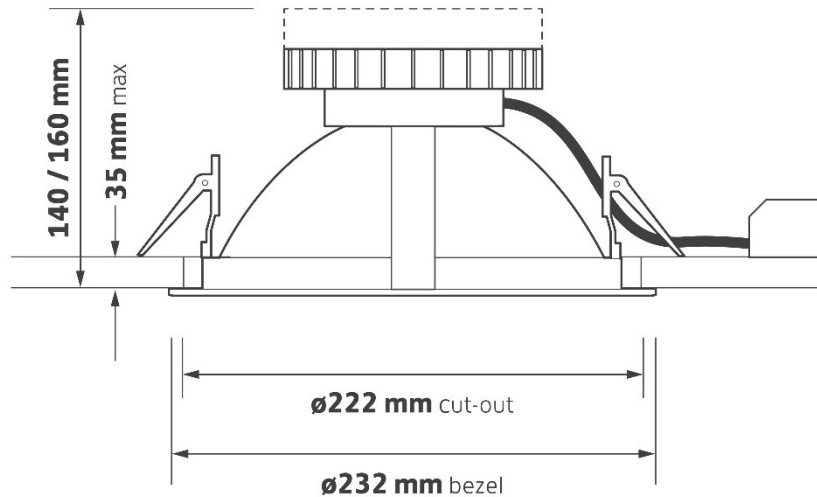
- Phillips LED and driver system for optimum performance
- 50° satin etched reflector as standard or 40° multi-faceted option
- Lumen depreciation L70/B10 @60,000h
- IP54 and IP65 options
- MacAdam colour tolerance <3SDCM
- Tuneable white option (Tridonic DLE)

## Options

- DALI dimming – **(DA)**
- Remote 3hr emergency – **(M3)**
- Remote self-test 3hr emergency - **(STE)**
- Remote 3hr DALI monitored emergency - **(D3)**
- 40° Multi-faceted reflector – **(MF40)**
- IP65 Bezel adaptor – **(/65)**
- IP54 sealed clear lens – **(/54)**
- Casambi Wireless control – **(BTC)**
- Custom bezel colour – **(RAL)**

# Capri – C232

## Dimensions



## Product Code

C232-1100-4K-WH	Capri 232, 9.5w, 4K, 1,175lm, c/w satin reflector, white bezel
C232-2000-4K-WH	Capri 232, 17.5w, 4K, 2,000lm, c/w satin reflector, white bezel
C232-3000-4K-WH	Capri 232, 30.5w, 4K, 3,075lm, c/w satin reflector, white bezel
C232-5000-4K-WH	Capri 232, 46.5w, 4K, 4,800lm, c/w satin reflector, white bezel
C232-1850-TW-WH bezel	Capri 232, 17.5w, Tuneable white 1,850lm c/w satin reflector, white bezel

\*\* Suffix 4K to 3K for 3000 Kelvin

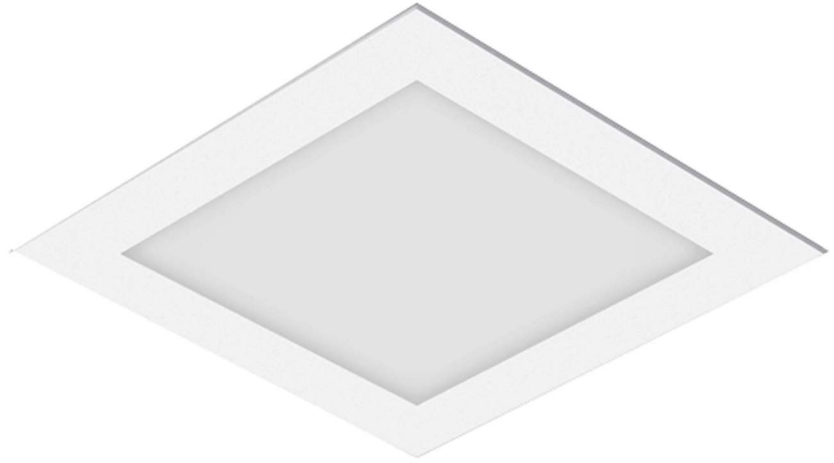
\*\* Example – C232-2000-4K-WH/DA

Capri 232 downlighter, 2000lm, 4K, white bezel c/w DALI dimming

# Capri – 244

Backlit LED light box 82mm in depth IP44, with wattage option up to 2,225lm

- Corridors
- Offices
- Toilets
- Break-Out
- Reception



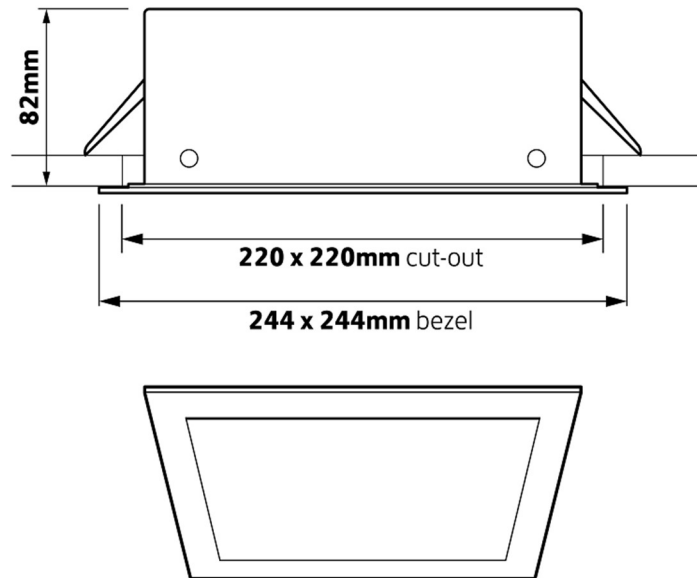
## Features

- Tridonic Driver with option of Tridonic or LEE LED array
- Ultra-thin bezel for minimal visual impact
- Height under 100mm
- Finished RAL9010
- Life >72,000h (L80/F10)
- High transmission acrylic diffuser

## Options

- DALI dimming – **(DA)**
- Remote 3hr emergency – **(M3)**
- Remote self-test 3hr emergency - **(STE)**
- Remote DALI monitored emergency – **(D3)**
- Casambi Wireless control – **(BTC)**
- Bezel colour options **(RAL)**

## Dimensions



## Product Code

C244-7-4K-WH	C244, LED downlight, 7.0w, 4K, 725lm, c/w white bezel
C244-10-4K-WH	C244, LED downlight, 10.5w, 4K, 1,175lm, c/w white bezel
C244-14-4K-WH	C244, LED downlight, 14w, 4K, 1,600lm, c/w white bezel
C244-20-4K-WH	C244, LED downlight, 20.5w, 4K, 2,225lm, c/w white bezel

\*\*Suffix 4K to 3K for 3000 Kelvin

\*\* Example – C244-10-4K-WH-DA

C244 downlight, 10w, 1,175lm, 4K, white bezel c/w DALI dimming

Commercial IP65 LED fire rated downlight, wattage and 4CCT selectable

- Domestic Dwellings
- Offices
- Schools



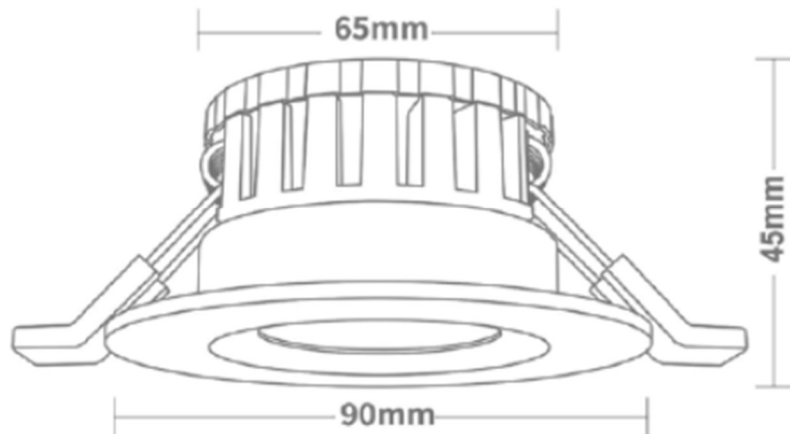
## Features

- Compact fire rated IP65 LED downlighter
- Complete with white bezel as standard
- 60° beam angle
- Triac Dimmable
- Chrome, satin chrome & matt black bezel options
- Push fit connection for ease of installation
- FR60 Fire Rating in accordance with BS476: Part 21: 1987, load bearing timber floor with softwood timber joists.

## Options

- Remote 3hr emergency – **(M3)**
- Remote self-test 3hr emergency - **(STE)**
- Black bezel – **(MBB)**
- Satin chrome bezel – **(SCB)**
- Polished chrome bezel – **(CHB)**

## Dimensions



## Product Code

CAL-SW-CCT-WH

Calibre switchable power 5/8w, 550lm/760lm, 4CCT 27K to 6K

\*\* Example – CAL-SW-CCT-WH-M3

Calibre downlight, 5/8w, 4CCT, white bezel c/w mains dimming & 3 hour emergency

## Accessories



Chrome (CHB)



Satin (SCB)



Matt black (MBB)

Professional IP54 commercial LED downlight, with die-cast bezel in brilliant RAL9016

- Corridors
- Toilets
- Break-Out
- Offices



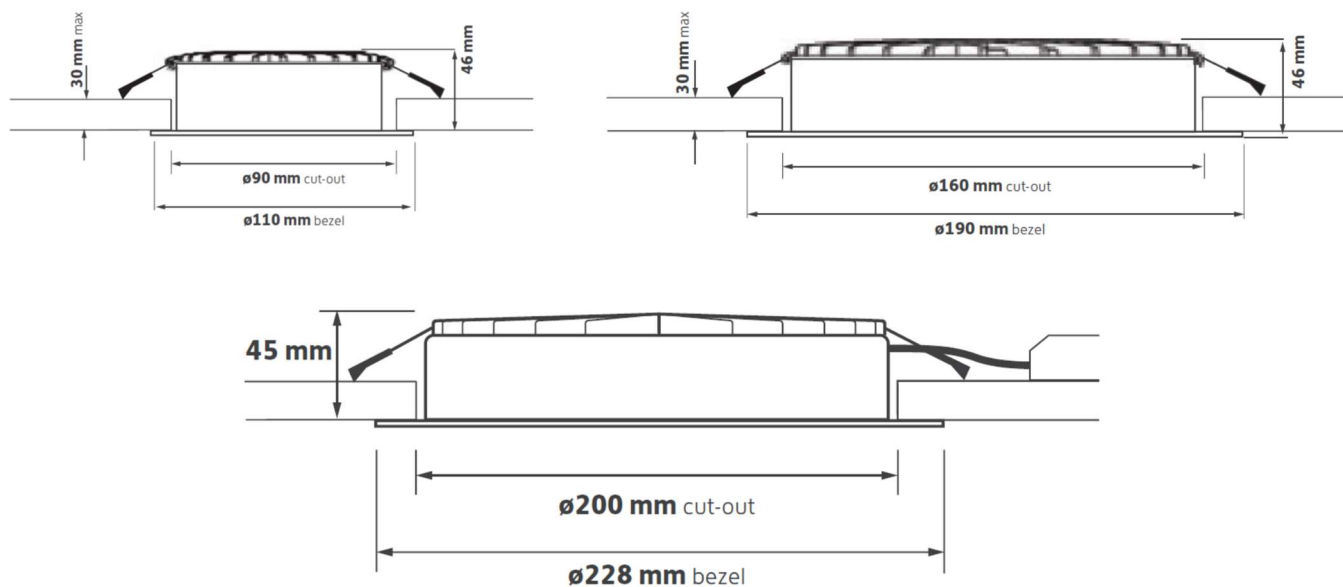
## Features

- Recessed opal PC diffuser
- SMD LED powered by Tridonic
- Long life 50,000h L70
- IP54
- Switchable 3 x CCT – 830 / 840 / 865
- 5 year warranty

## Options

- DALI dimming – **(DA)**
- Phase-cut dimming – **(MDIM)**
- Remote 3hr emergency – **(M3)**
- Remote self-test 3hr emergency - **(STE)**
- Casambi Wireless control – **(BTC)**

## Dimensions



## Product Code

CES-9-CCT-WH	Ceco, 9w CCT, 850lm, 110mm bezel finished white
CEM-11-CCT-WH	Ceco, 11w CCT, 1,200lm, 190mm bezel finished white
CEM-21-CCT-WH	Ceco, 21w CCT, 2,275lm, 190mm bezel finished white
CEL-13-CCT-WH	Ceco, 13w CCT, 1,625lm, 228mm bezel finished white
CEL-18-CCT-WH	Ceco, 18w CCT, 2,275lm, 228mm bezel finished white
CEL-22-CCT-WH	Ceco, 22w CCT, 2,700lm, 228mm bezel finished white
CEL-30-CCT-WH	Ceco, 30w CCT, 3,500lm, 228mm bezel finished white

\*\* Example – CEL-22-CCT-WH-BTC

Ceco downlighter, 2,275lm, CCT, white bezel c/w Casambi wireless control

# Capri – FR85

Commercial IP65 LED fire rated downlight, with die-cast bezel in brilliant RAL9016

- Domestic Dwellings
- Offices
- Schools



## Features

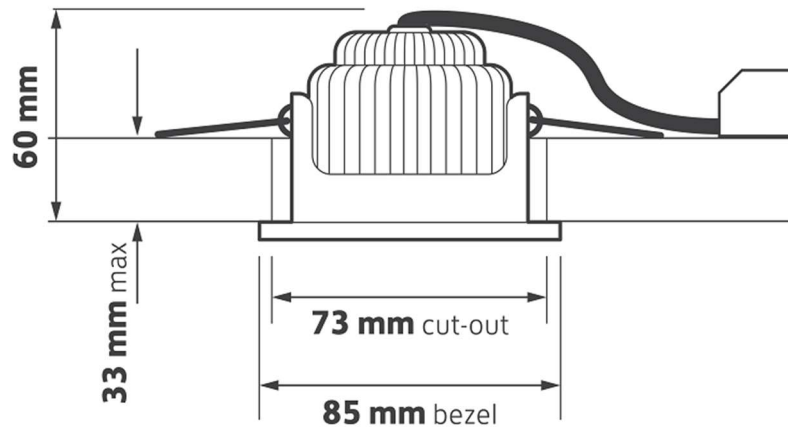
- Compact fire rated IP65 LED downlighter
- Complete with white bezel
- Multi-faceted reflector
- Brushed and black bezel options
- Supplied with IP ceiling gasket
- Accredited fire rated: FR30, FR60 and FR90 Fire Rating in accordance with BS476: Part 21: 1987, load bearing timber floor with softwood timber joists.

## Options

- DALI dimming – **(DA)**
- Phase-cut dimming – **(MDIM)**
- Remote 3hr emergency – **(M3)**
- Remote self-test 3hr emergency - **(STE)**
- Casambi Wireless control – **(BTC)**
- Black bezel – **(BK)**
- Brushed steel bezel – **(BSB)**

# Capri – FR85

## Dimensions



## Product Code

CFR85-8-3K-WH

CFR85, fire rated downlight, 8w, 3K, 750lm, c/w white bezel

CFR85-8-4K-WH

CFR85, fire rated downlight, 8w, 4K, 775lm, c/w white bezel

\*\* Example – CFR85-8-4K-WH-MDIM

CFR85 downlight, 8w, 4K, white bezel c/w mains dimming

- Corridors
- Offices
- Receptions
- Toilets
- Break-out



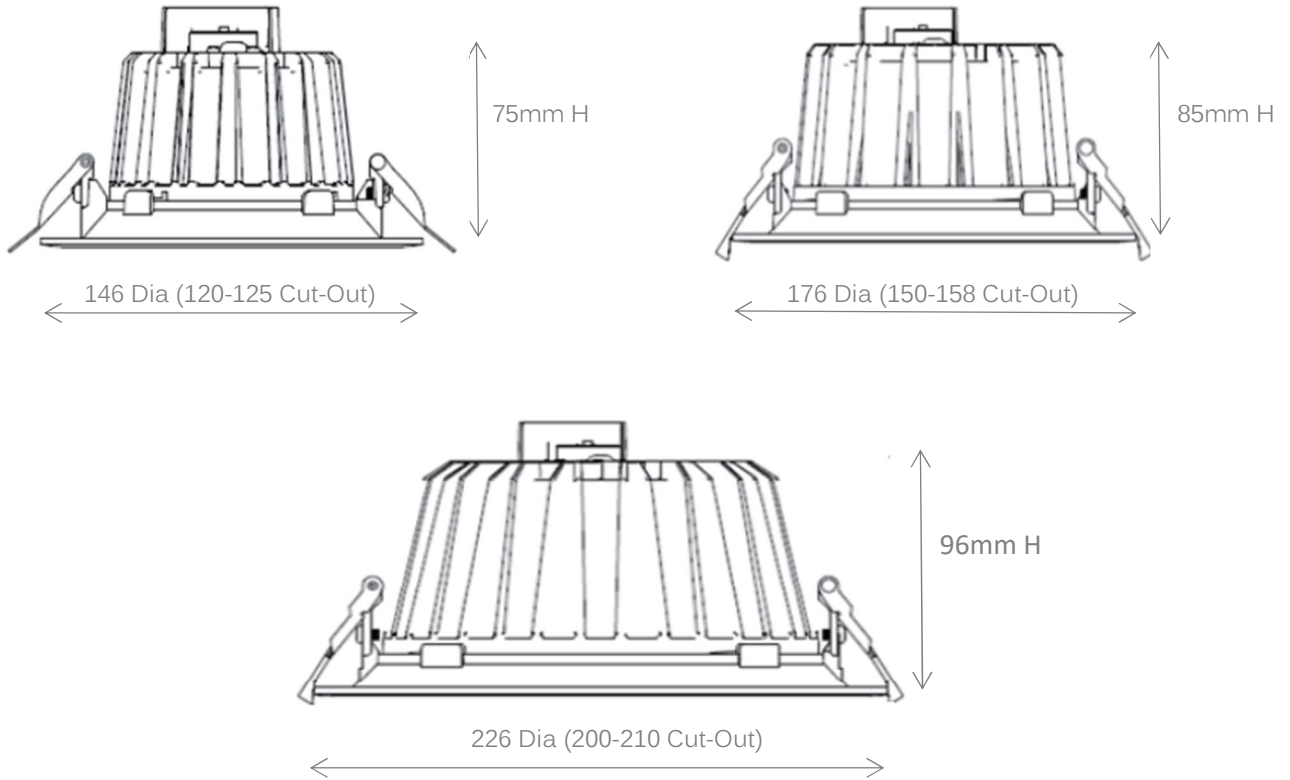
## Features

- Die-Cast aluminium body & bezel
- Polycarbonate impact resistant diffuser
- Wattage & CCT selectable
- High efficiency up to 140lm/w
- IP54
- 60° reflector UGR<19

## Options

- 3hr emergency facility (**M3**)
- 3hr DALI monitored emergency (**D3**)
- 3hr Self-Testing emergency (**STE**)
- DALI (**DA**)
- Casambi wireless Control (**BTC**)

## Dimensions



## Product Code

CRS-S-SW-CCT-WH	Crescent 10/16w, 146mm dia, 1250-2000lm, 3K/4K selectable
CRS-M-SW-CCT-WH	Crescent 14/20w, 176mm dia, 1800-2650lm, 3K/4K selectable
CRS-L-SW-CCT-WH	Crescent 15/23w, 226mm dia, 2050-3200lm, 3K/4K selectable

\*\* Suffix end of code with options required \*\*

Example: CRS-M-SW-CCT-WH-DA – Crescent 176mm dia c/w DALI dimmable driver

Architectural low glare tiltable LED downlight, IP54 with die-cast bezel in matt white, CCT selectable

- Corridors
- Offices
- Toilets
- Break-Out



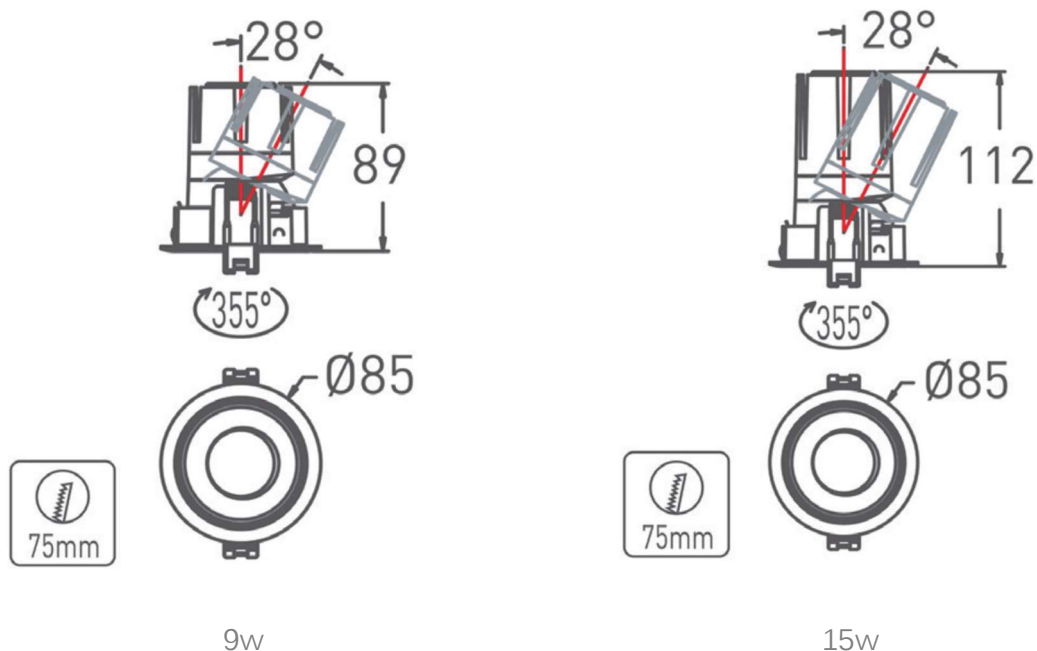
## Features

- Eaglerise LED and driver system for optimum performance
- Matt white bezel
- Various accessory options
- Fitted with an integral IP54 protective lens as standard
- Precision moulded 38° reflector
- Mains dimmable (Triac)
- CRI>90

## Options

- DALI dimming – (DA)
- Remote 3hr emergency – (M3)
- Remote self-test 3hr emergency - (STE)
- Remote DALI monitored emergency – (D3)
- Casambi Wireless control – (BTC)
- White softlight baffle – (WSB)
- Black softlight baffle – (BSB)
- Honeycomb louvre – (HC)

## Dimensions



## Product Code

SLW-85-9-CCT-WH

Selwyn, 9w, CCT selectable, satin chrome reflector, 1020lm

SLW-85-15-CCT-WH

Selwyn, 15w, CCT selectable, satin chrome reflector, 1430lm

\*\* Example – SLW-85-9-CCT-WH-DA-WSB

Selwyn, 9w, 1,020lm, CCT, white bezel c/w DALI dimming & white softlight baffle



WSB

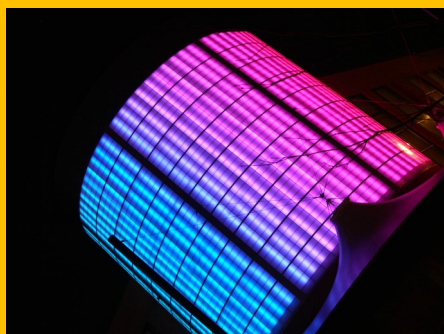


BSB



HC

# Commercial Lighting Solutions



Wall mounted low profile exit sign 29mm in depth viewing distance 30mtrs.



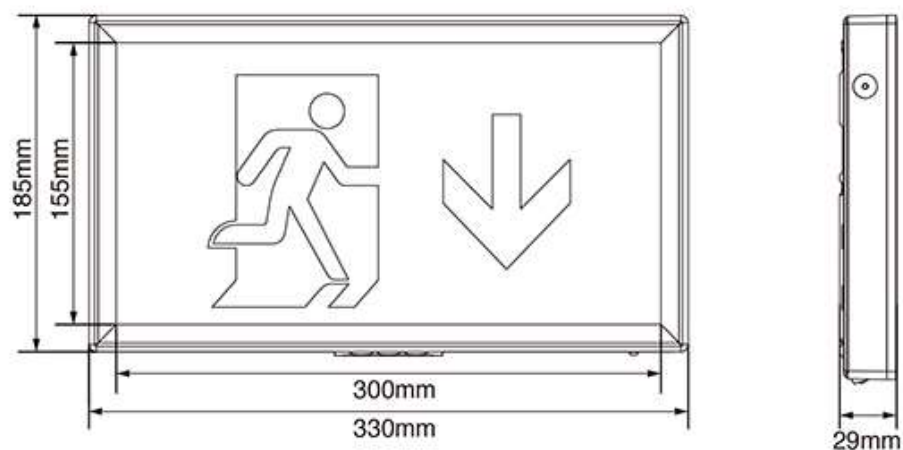
## Features

- Injection moulded body
- Ultra-low profile
- Flame retardant polycarbonate legend panel
- Body colour option (White as Standard)
- Lithium LiFePO4 Battery technology
- Viewing distance 30mtr
- IP20

## Options

- Black body (**BK**)
- 3hr Self Testing Emergency facility (**STE**)

## Dimensions



## Product Code

CLF-M3-WH-LP

Cliffe wall mounted exit sign 4w maintained c/w legend pack

**\*\*Suffix\*\***

M3 to STE for Self-Testing emergency facility

WH to BK for black body

Stylish compact single/double sided Exit sign suitable for recess mounting applications



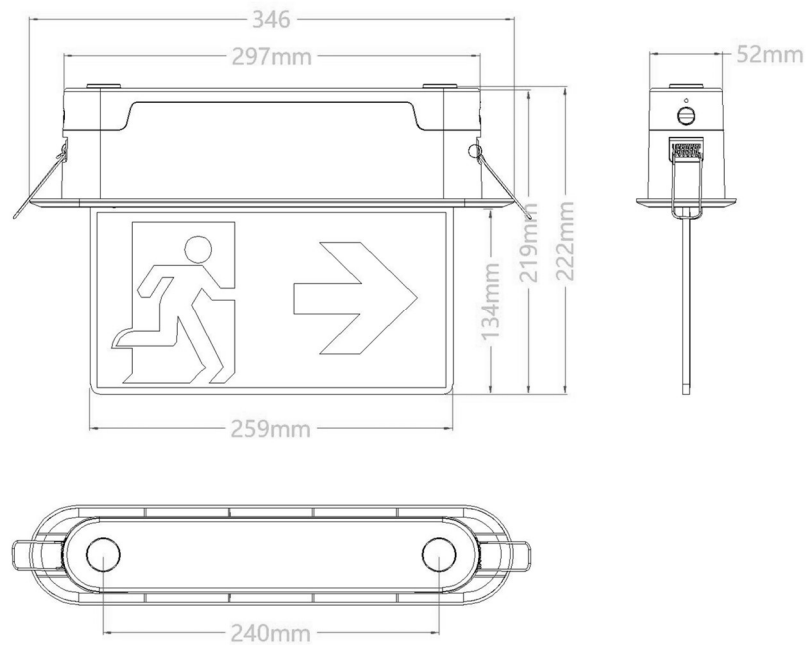
## Features

- Injection moulded polycarbonate body
- ISO 7010 legends as standard
- Flame retardant polycarbonate legend panel
- Body colour option (White as Standard)
- Extra long life Lithium LiFePO4 cells
- Viewing distance 25mtr
- IP20

## Options

- Black body (**BK**)
- 3hr Self Testing Emergency facility (**STE**)
- DALI 2 – (**DA**)
- Lite-Mesh wireless monitoring system (**LMEM**)
- Arrow Up (**AU**) Arrow Down (**AD**) Arrow Left (**AL**) Arrow Right (**AR**) Arrow left/right (**ALAR**)

## Dimensions



## Product Code

HER-LED-M3-WH-A*	Hermes 5w recessed exit sign, maintained c/w legend
HER-LED-NM3-WHA*	Hermes 5w recessed exit sign, non-maintained c/w legend

\*\*Suffix end of code with required legend and control option\*\*

M3 to DA for DALI monitored emergency facility

WH to BK for black body

Stylish compact single/double sided Exit sign suitable for ceiling or wall mounting applications



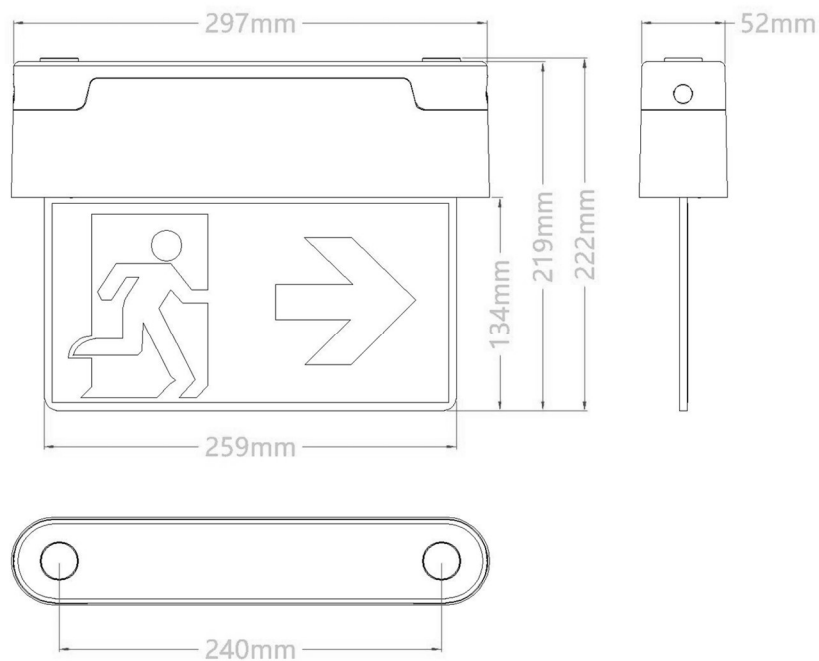
## Features

- Injection moulded polycarbonate body
- ISO 7010 legends as standard
- Flame retardant polycarbonate legend panel
- Body colour option (White as Standard)
- Extra long life Lithium LiFePO4 cells
- Viewing distance 25mtr
- IP20

## Options

- Black body (**BK**)
- 3hr Self Testing Emergency facility (**STE**)
- DALI 2 – (**DA**)
- Lite-Mesh wireless monitoring system (**LMEM**)
- Arrow Up (**AU**) Arrow Down (**AD**) Arrow Left (**AL**) Arrow Right (**AR**) Arrow left/right (**ALAR**)

## Dimensions



## Product Code

LIR-LED-M3-WH-A\*

Lira 5w recessed exit sign, maintained c/w legend

LIR-LED-NM3-WH-A\*

Lira 5w recessed exit sign, non-maintained c/w legend

\*\*Suffix end of code with required legend and control option\*\*

M3 to DA for DALI monitored emergency facility

WH to BK for black body

IP65 LED emergency flood light 2 x 3w, ideal for warehouses & factories



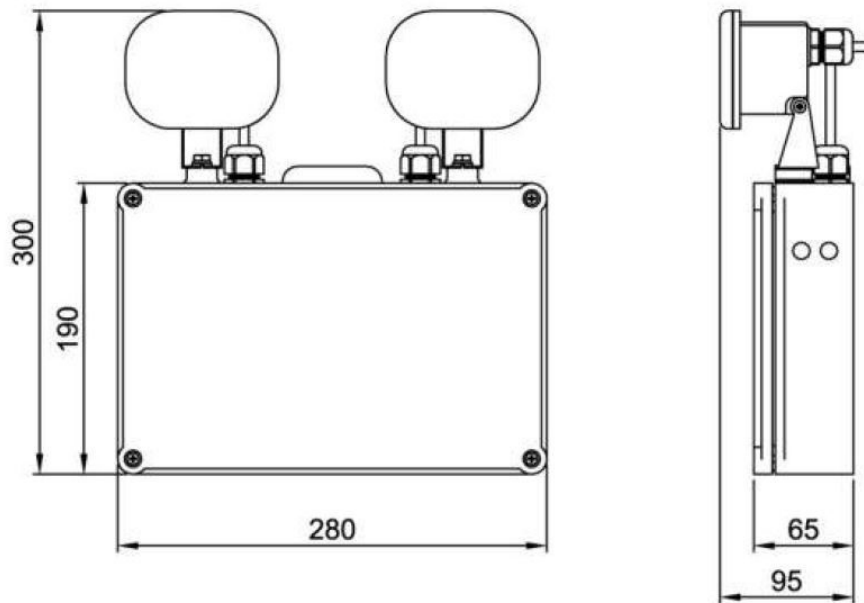
## Features

- Injection moulded polycarbonate body
- Directional heads
- 610lm output, LIA tested
- Body colour grey as Standard
- Extra long life Lithium LiFePO4 cells
- Non-maintained operation
- IP65

## Options

- 3hr Self Testing Emergency facility (**STE**)
- DALI 2 – (**DA**)
- Lite-Mesh wireless monitoring system (**LMEM**)

## Dimensions



## Product Code

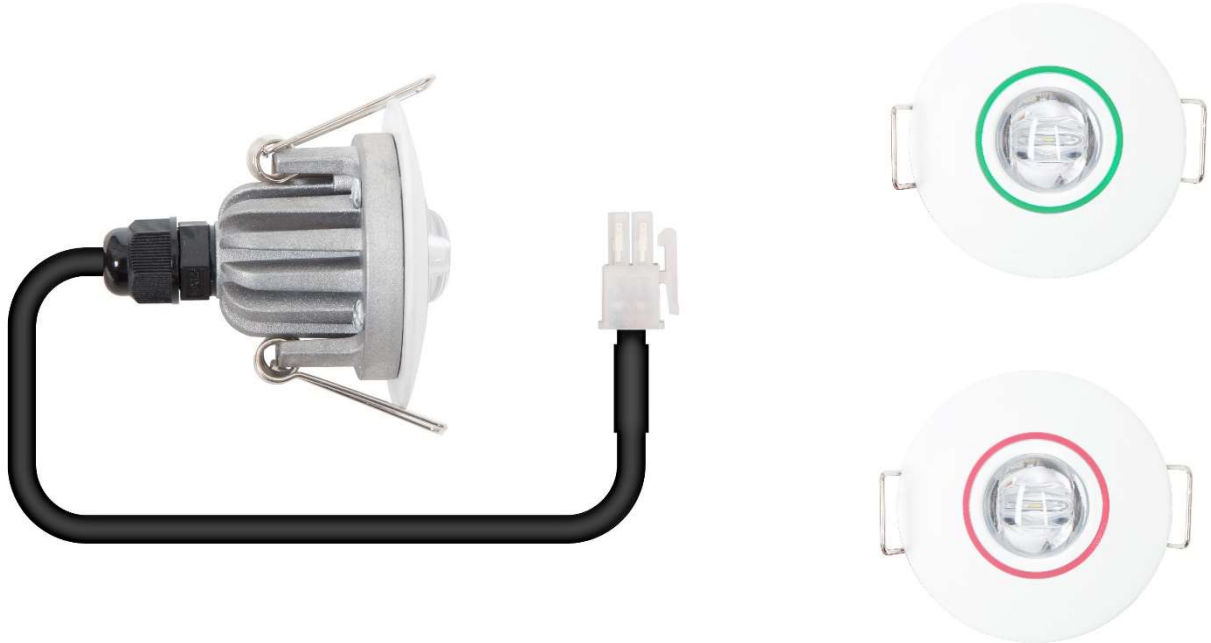
ODI-LED-NM3

ODI 6w non-maintained twin spot, IP65

\*\*Suffix end of code with required legend and control option\*\*

M3 to DA for DALI monitored emergency facility

Recessed non-maintained high output stand alone emergency with 3 optic options



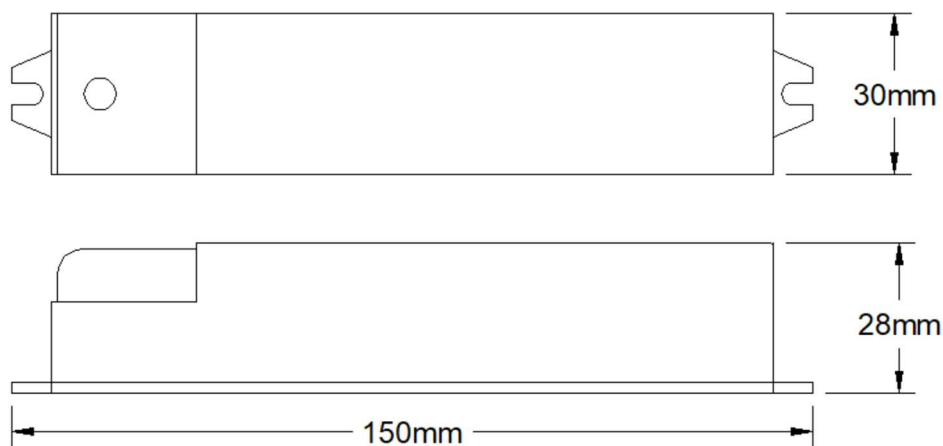
## Features

- Suitable for ceiling recess application
- Plugs and leads for simple installation
- Optic options OA (open area supplied as standard)
- Cut-Out aperture 40mm
- Extra long life Lithium LiFePO4 cells
- Non-maintained operation
- IP20

## Options

- 3hr Self Testing Emergency facility (**STE**)
- DALI 2 – (**DA**)
- Lite-Mesh wireless monitoring system (**LMEM**)
- Corridor optic (**CR**)
- Flood optic (**FL**)

## Dimensions



Fixing Centres 145mm

## Product Code

SLP6-1-LED43-OA-W	Non-maintained c/w open area optic 266lm output
SLP6-1-LED43-CR-W	Non-maintained c/w corridor optic 268lm output
SLP6-1-LED43-FL-W	Non-maintained c/w flood optic 237lm output

\*\*Suffix end of code with required option\*\*

-DA for DALI monitored emergency facility

Surface self-contained non-maintained high output emergency with 3 optic options



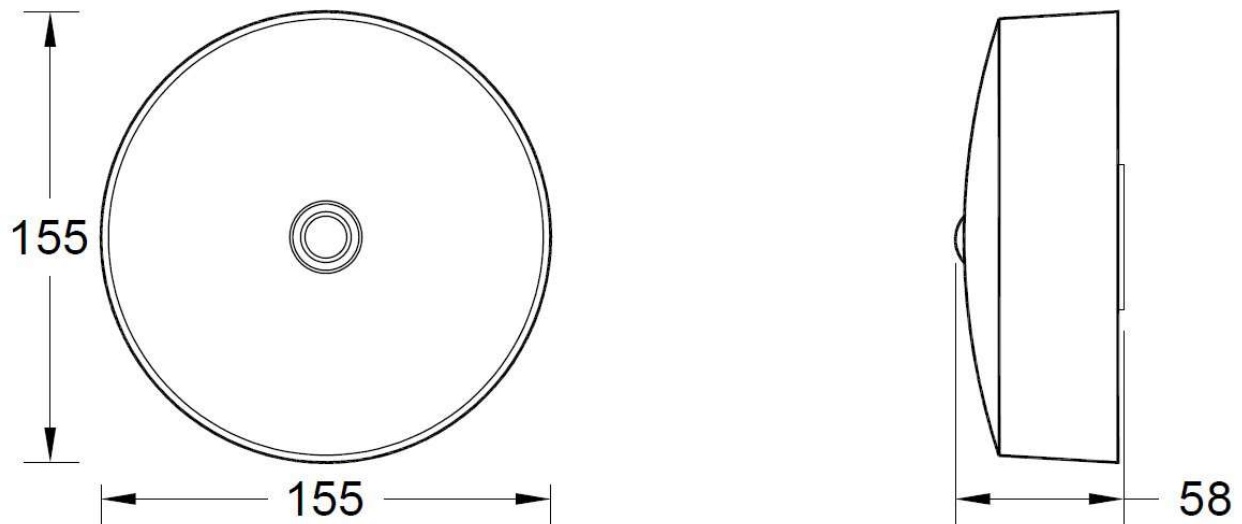
## Features

- Suitable for ceiling application
- Besa box & standard fixing points
- Optic options OA (open area supplied as standard)
- White supplied as standard (Black option available)
- Extra long life Lithium LiFePO4 cells
- Non-maintained operation
- IP20

## Options

- 3hr Self Testing Emergency facility (**STE**)
- DALI 2 – (**DA**)
- Lite-Mesh wireless monitoring system (**LMEM**)
- Corridor optic (**CR**)
- Flood optic (**FL**)

## Dimensions



## Product Code

SLRR-1-LED43-OA-W	Non-maintained c/w open area optic 266lm output
SLRR-1-LED43-CR-W	Non-maintained c/w corridor optic 268lm output
SLRR-1-LED43-FL-W	Non-maintained c/w flood optic 237lm output

\*\*Suffix end of code with required option\*\*

-DA for DALI monitored emergency facility

W to BK for black body option

Surface self-contained non-maintained high output emergency with 3 optic options



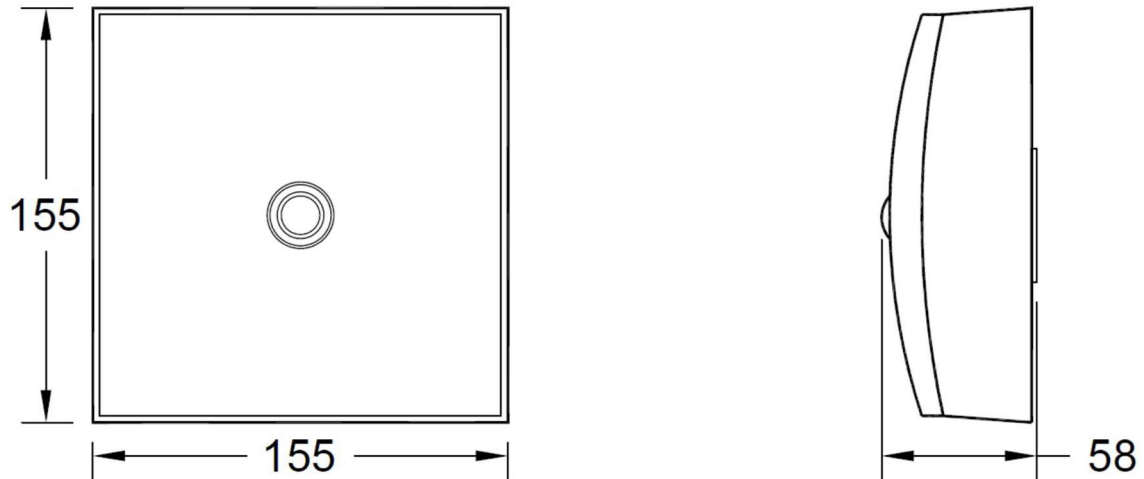
## Features

- Suitable for ceiling application
- Besa box & standard fixing points
- Optic options OA (open area supplied as standard)
- White supplied as standard (Black option available)
- Extra long life Lithium LiFePO4 cells
- Non-maintained operation
- IP20

## Options

- 3hr Self Testing Emergency facility (**STE**)
- DALI 2 – (**DA**)
- Lite-Mesh wireless monitoring system (**LMEM**)
- Corridor optic (**CR**)
- Flood optic (**FL**)

## Dimensions



## Product Code

SLRS-1-LED43-OA-W	Non-maintained c/w open area optic 266lm output
SLRS-1-LED43-CR-W	Non-maintained c/w corridor optic 268lm output
SLRS-1-LED43-FL-W	Non-maintained c/w flood optic 237lm output

**\*\*Suffix end of code with required option\*\***

-DA for DALI monitored emergency facility

W to BK for black body option

Stylish compact single sided exit sign suitable for wall mounting applications



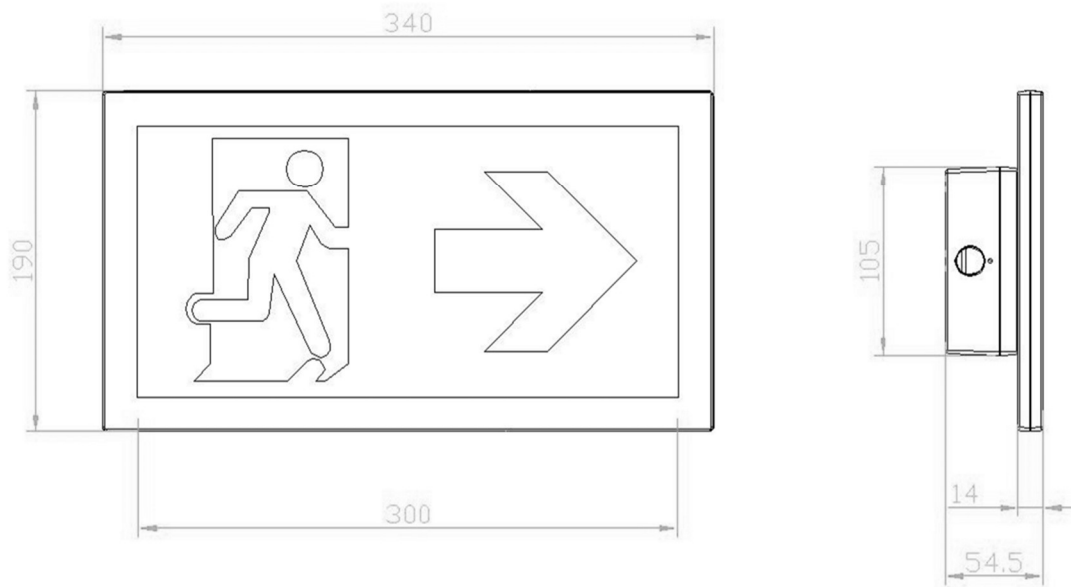
## Features

- Injection moulded polycarbonate body
- ISO 7010 legend as standard
- Flame retardant polycarbonate legend panel
- Body colour options (White as Standard)
- Extra long life Lithium LifePO4 cells
- Viewing distance 25mtr
- IP20

## Options

- Black body (**BK**)
- 3hr Self Testing Emergency facility (**STE**)
- DALI 2 – (**DA**)
- Lite-Mesh wireless monitoring system (**LMEM**)
- Arrow Up (**AU**) Arrow Down (**AD**) Arrow Left (**AL**) Arrow Right (**AR**)

## Dimensions



## Product Code

SPY-LED-NM3-WH-A\*

Spyro 5w wall mounted exit sign, non-maintained c/w legend

SPY-LED-M3-WH-A\*

Spyro 5w wall mounted exit sign, maintained c/w legend

\*\*Suffix end of code with required legend and control option\*\*

NM3 to DA for DALI monitored emergency facility

WH to BK for black body

Stylish compact single/double sided Exit sign suitable for suspended mounting applications



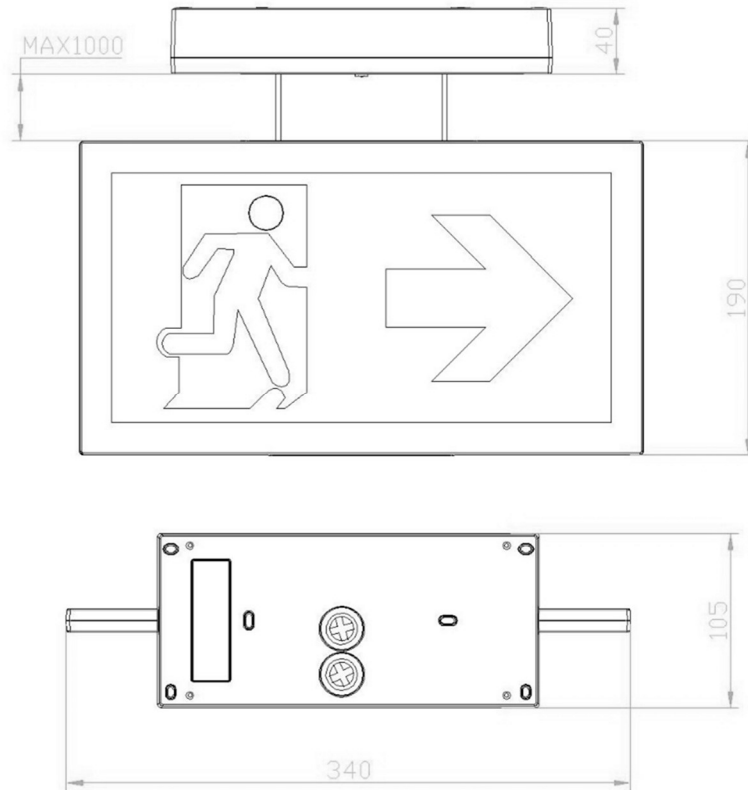
## Features

- Injection moulded polycarbonate body
- ISO 7010 legends as standard
- Flame retardant polycarbonate legend panel
- Body colour option (White as Standard)
- Extra long life Lithium LiFePO4 cells
- Viewing distance 25mtr
- IP20

## Options

- Black body (**BK**)
- 3hr Self Testing Emergency facility (**STE**)
- DALI 2 – (**DA**)
- Lite-Mesh wireless monitoring system (**LMEM**)
- Arrow Up (**AU**) Arrow Down (**AD**) Arrow Left (**AL**) Arrow Right (**AR**) Arrow left/right (**ALAR**)

## Dimensions



## Product Code

- |                  |   |
|------------------|---|
| STE-LED-M3-WH-A* | Stelios 5w suspended exit sign, maintained c/w legend     |
| STE-LED-NM3-WHA* | Stelios 5w suspended exit sign, non-maintained c/w legend |

\*\*Suffix end of code with required legend and control option\*\*

M3 to DA for DALI monitored emergency facility

WH to BK for black body

Track mounted non-maintained emergency unit designed as a discrete and simple emergency solutions to track fed lighting schemes.



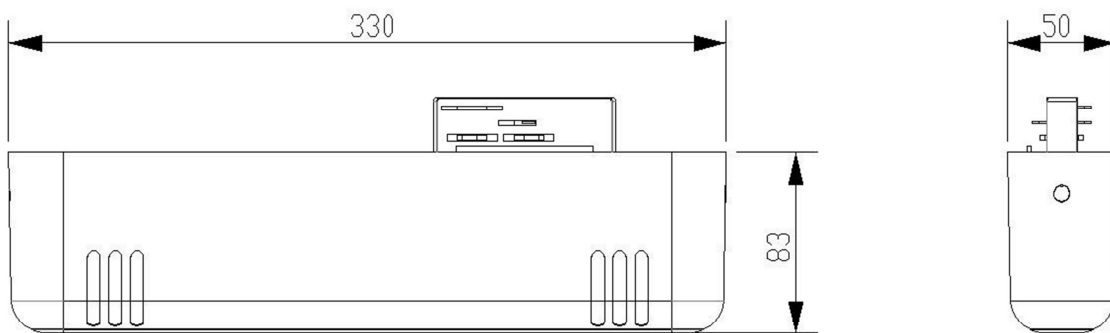
## Features

- Injection moulded polycarbonate body
- Powered by long life LifePO4 batteries
- Suitable for Global, Eutrac, Stucchi 3 circuit tracks
- Body colour options (White as Standard)
- 254lm output
- IP20

## Options

- Black body (**BK**)
- 3hr Self Testing Emergency facility (**STE**)
- DALI 2 – (**DA**)
- Lite-Mesh wireless monitoring system (**LMEM**)

## Dimensions



## Product Code

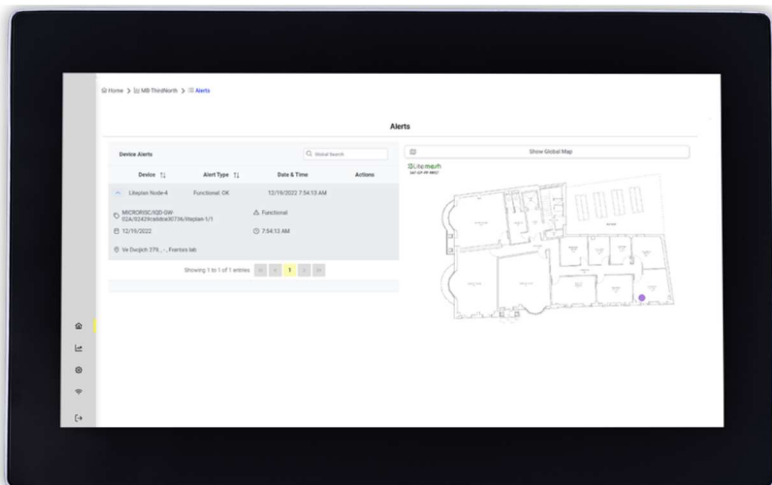
XLP-LED-NM3-WH

XLP, 3w, NM3, 254lm, white body

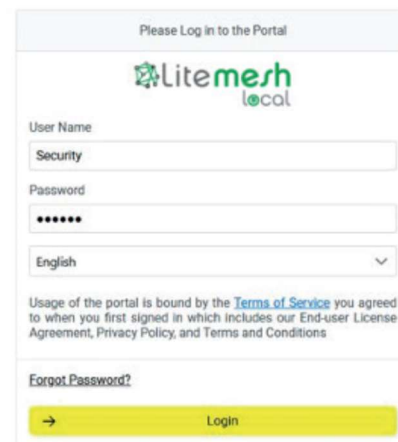
\*\*Suffix end of code with required legend and control option\*\*

NM3 to DA for DALI monitored emergency facility

WH to BK for black body



Local wall panel

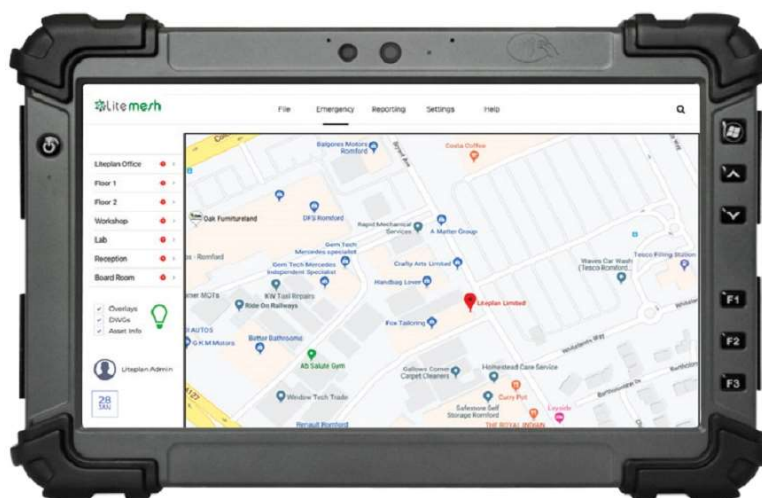


## LiteMesh - Local

LiteMesh Local is simple wireless emergency lighting operating system gathering data from DALI compliant emergency lighting control gear. The system creates a secure, robust mesh using IQRF long range mesh technology. The data is displayed on a local user interface touchscreen. This features a simple floor plan layout of each level of the building showing the exact location of each emergency light fitting or exit sign. Any issues are displayed in a simple graphical format. As the DALI control gear carries out its function test monthly and duration test on an annual basis, compliance reports are generated by the user interface. These reports are held securely for a five-year period and can be accessed and downloaded at any time. In addition to this, real time fault reporting is also generated, indicating what part requires replacement and its exact location, allowing for a fix first time resolution. One of the main features of the system is the installer led commissioning tool. This strong, contractor friendly tablet, features our LiteWork software that allows the scheme to be commissioned in a fraction of the time of traditional emergency lighting monitoring systems. Each emergency light fitting or exit sign is placed onto the pre-installed floorplan as its operator navigates their way around the building. Once this plot has been completed, the information is automatically sent directly to the user interface to become the final working layout of the touchscreen. Grouping and scheduling of emergency lighting tests is handled via commissioning tool, so no two adjacent fittings will test at the same time allowing for maximum emergency lighting coverage.

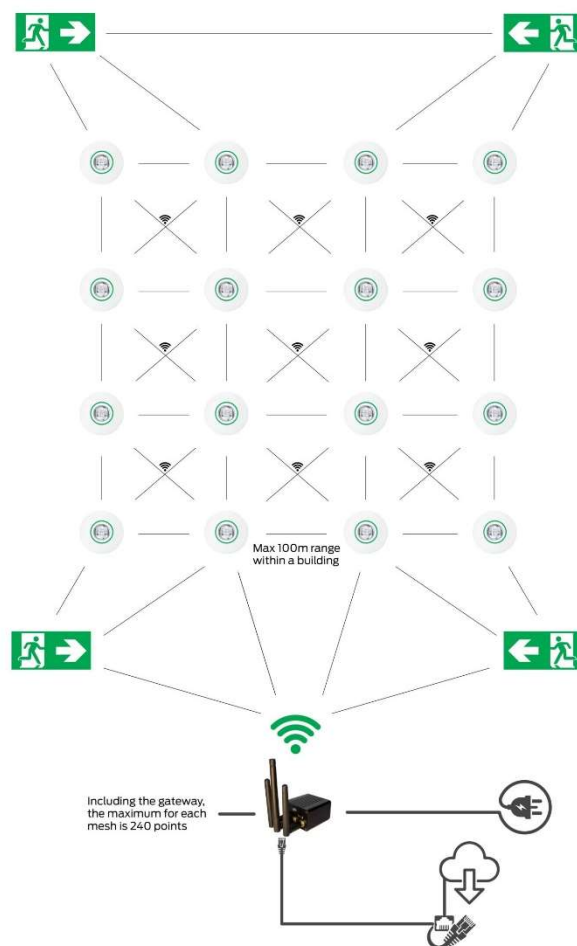
## LiteMesh - Cloud

LiteMesh® is wireless emergency lighting operating system gathering data from DALI compliant emergency lighting control gear. The system creates a secure, robust mesh using IQRF long range mesh technology. The data is sent via the cloud to a browser-based user interface portal. This portal features a simple floor plan layout of each level of the building showing the exact location of each emergency light fitting or exit sign. Being cloud based, LiteMesh is perfect for multi-building schemes that can be managed on one holistic platform. As the DALI control gear carries out its function test monthly and duration test on an annual basis, compliance reports are generated through the portal. These reports can be sent to various individuals but are also securely held for a five-year period. In addition to this, real time fault reporting is also generated, indicating what part requires replacement and its exact location, allowing for a fix first time resolution. One of the main features of the system is the installer led commissioning tool. This strong, contractor friendly tablet, features our amazing LiteWork® software that allows the scheme to be commissioned in a fraction of the time of traditional emergency lighting monitoring systems. Each emergency light fitting or exit sign is placed onto the pre-installed floorplan as its operator navigates their way around the building. Once this plot has been completed, the information is automatically sent directly to the portal via the cloud. Grouping and scheduling of emergency lighting tests is handled via the portal user, minimising time spent on site. As LiteMesh® operates with the IQRF wireless protocol, the system can also incorporate other IQRF Alliance members' product. For example, if one needed to monitor temperature, air quality, footfall, drain levels etc. there will be Alliance members who are experts in those respective fields that will be able to help. This can be the beginning of the journey into a complete holistic smart building.



Programming Tablet

## Schematic Diagram



## LiteMesh Components

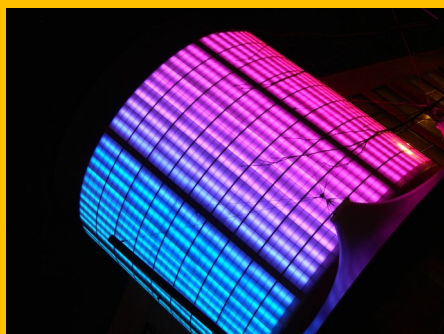


Gateway



Node

# Commercial Lighting Solutions



A high quality stylish low profile LED flood option of body sizes, wattages from 28w to 200w

- Factories
- Car Parks
- Tennis Courts
- Sports Pitches



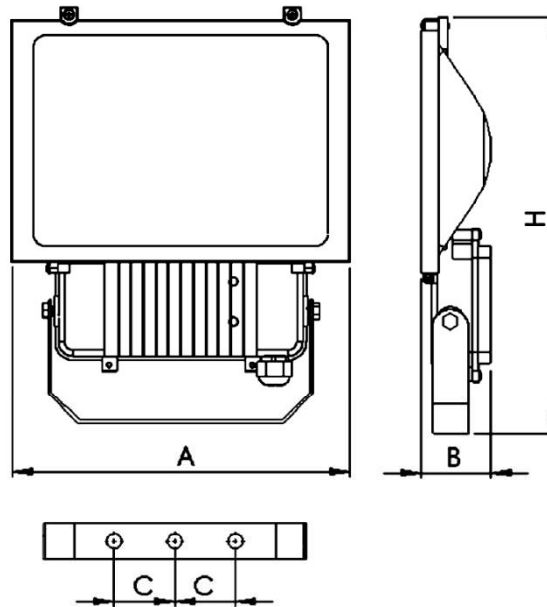
## Features

- Die-Cast aluminium base & cover
- Asymmetric and Symmetric options
- Glass diffuser
- Epoxy powder coated RAL7035
- IP65
- IK08

## Product Code

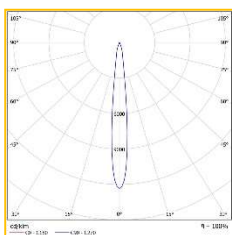
ADR-28-4K-7035-LS**	Adur 28w, LED flood, 4K, 4,774lm finished RAL7035
ADR-50-4K-7035-LS**	Adur 50w, LED flood, 4K, 8,279lm finished RAL7035
ADR-65-4K-7035-LS**	Adur 65w, LED flood, 4K, 10,224lm finished RAL7035
ADR-100-4K-7025-LS**	Adur 100w, LED flood, 4K, 16,558lm finished RAL7035
ADR-125-4K-7035-LS**	Adur 125w, LED flood, 4K, 20,698lm finished RAL7035
ADR-150-4K-7035-LS**	Adur 150w, LED flood, 4K, 23,259lm finished RAL7035
ADR-200-4K-7035-LS**	Adur 200w, LED flood, 4K, 33,116lm finished RAL7035

## Dimensions

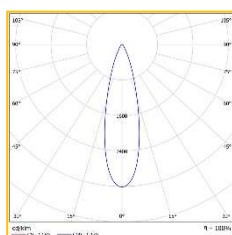


A, mm	B, mm	C, mm	H, mm
280	60	50	338
353	66	75	444
420	87	100	515

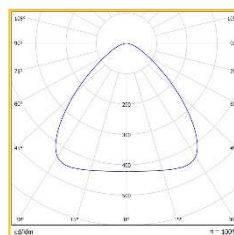
## Optics



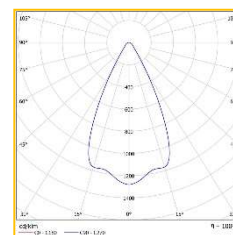
LS12



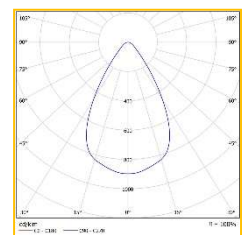
LS30



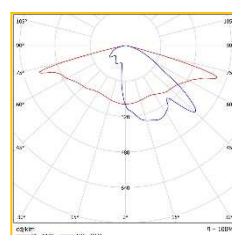
LS90



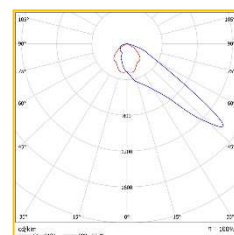
LS45



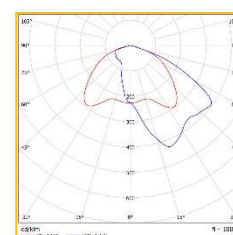
LS60



LSM1



LSA2



LSA1

Modern sleek designed bollard, low glare 360 & 180 degree, CCT selectable, two height options

- Landscapes
- Car Parks
- Building Perimeter
- Pathway



## Features

- Die-Cast aluminium body
- Polycarbonate impact resistant diffuser
- RAL 9004 (other colour options available on request)
- Stainless Steel fixings
- IP65
- IK09
- 360 or 180°option

## Options

- Custom Paint Finish (**RAL**)
- DALI (**DA**)
- 3hr Emergency Facility (**M3**)
- Root mounting Kit (**RM7000**)
- J-Bolt mounting Kit (**JB7000**)

## Dimensions



## Product Code

AYL-9-118-180-H30	Aylesbury 9w, c/w backlite shield, CCT, 754/799lm, IP65, IK09, 300mm
AYL-9-118-180-H100	Aylesbury 9w, c/w backlite shield, CCT, 754/799lm, IP65, IK09, 1000mm
AYL-12-118-360-H30	Aylesbury 12w, 360° optic, CCT, 1138/1199lm, IP65, IK09, 300mm
AYL-12-118-360-H10	Aylesbury 12w, 360° optic, CCT, 1138/1199lm, IP65, IK09, 1000mm

\*\* Suffix end of code with options required \*\*

\*\* CCT Selectable 3000K & 4000K \*\*

A modern and stylish square bollard available in two heights and two outputs to suit a variety of applications with an indirect light source to reduce glare.

- Carparks
- Building perimeter
- Pathways



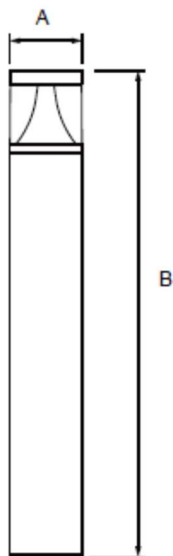
## Features

- Die-Cast aluminium body
- Polycarbonate diffuser
- Epoxy powder coated RAL9007
- IP65
- IK09

## Options

- Integrated 3hr emergency -Standard (**M3**)      Self - Testing Emergency (**STE**)
- Micro-wave sensor (**MW1**)
- Photo-cell (**PC**)
- DALI Dimming (**DA**)
- Custom RAL paint finish (**RAL**)
- J-Bolt fixing Kit (**JB7000**)
- Root Mounting Kit (**RM7000**)

## Dimensions



Dimensions: (Flange) 120mm x 1000mm (Inground) 120mm x 800mm

## Product Code

BST-15-CCT-SL	Barnstable, 15w, 1470/1530lm, CCT, IP65, IK09 finished RAL9007
BST-30-CCT-SL-F	Barnstable, 30w, 2820/2940lm, CCT, IP65, IK09 flange mounted RAL 9007

\*\* Suffix end of code with option required\*\*

\*\* Example – BST-15-CCT-SL-M3

Barnstable, 15w, ground mounted c/w 3hr emergency

This high-performance luminaire is available in two sizes with a power range 26w to 80w. A modern and minimalist design ideal for urban and amenity applications.

- Streets
- Car Parks
- Pedestrian Walkway



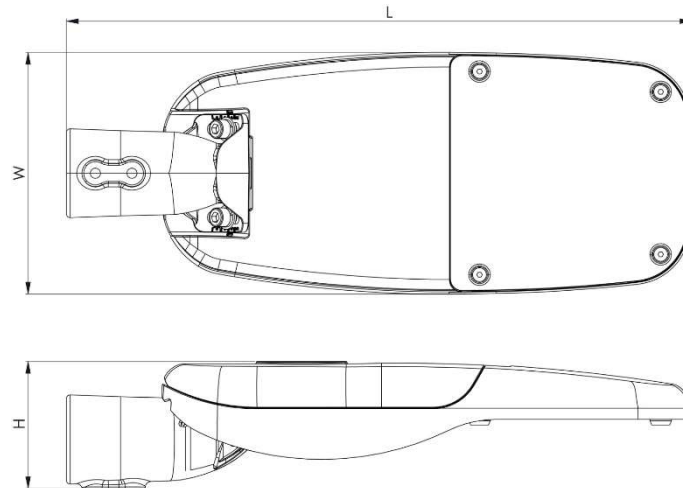
## Features

- Die-Cast aluminium base & cover
- Glass diffuser
- Epoxy powder coated RAL7022
- IP66
- IK09

## Options

- Mini Photo-cell (**PCM**)
- Nema Socket (**NSP**) \* Specify if 3 or 7 pin is required\*
- DALI Dimming (**DA**)
- Zaga book 18 for Casambi wireless control (**ZBC**)
- Custom RAL paint finish (**RAL**)

## Dimensions

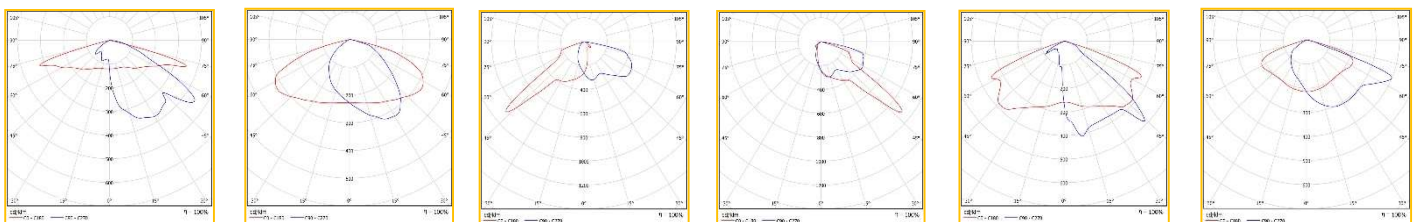


## Product Code

BWS-26-4K-7022-L***	Brentwood, 26w, 4K, 3,434lm, 525mm L x 250mm W x 102mm H
BWS-40-4K-7022-L***	Brentwood, 40w, 4K, 4,878lm, 525mm L x 250mm W x 102mm H
BWS-52-4K-7022-L***	Brentwood, 52w, 4K, 6,869lm, 525mm L x 250mm W x 102mm H
BWS-70-4K-7022-L***	Brentwood, 70w, 4K, 9,158lm, 625mm L x 288mm W x 102mm H
BWS-80-4K-7022-L***	Brentwood, 80w, 4K, 10,303lm, 625mm L x 288mm W x 102mm H

\*\* Example – BWS-40-4K-7022-LSM2 - Brentwood, 40w, 4,878lm RAL7022 c/w LSM2 optic \*\*.

## Optics



LSM 1

LSM 2

LSPL 1

LSPR 1

LSS 1

LSS 2

# Buckingham

Contemporary and stylish luminaire available in a range of outputs. Ideal for pedestrian areas, terraces, general circulation spaces.

- Streets
- Car Parks
- Pedestrian Walkway



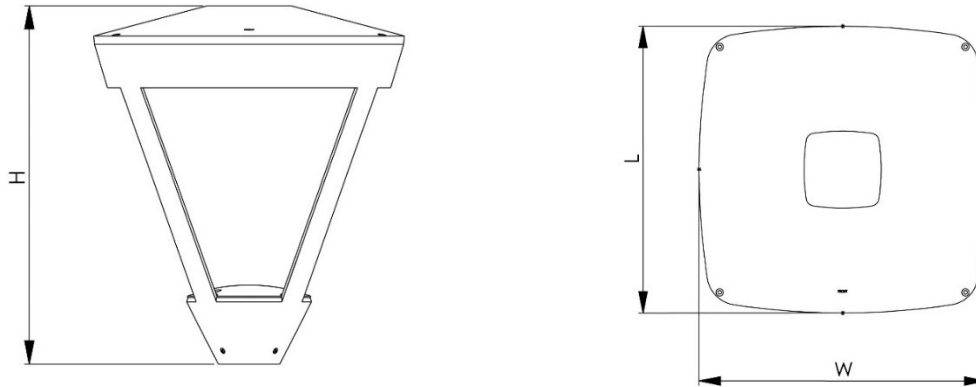
## Features

- Die-Cast aluminium housing
- Glass diffuser
- Epoxy powder coated RAL9005
- IP66
- IK09

## Options

- Mini Photo-cell (**PCM**)
- Nema Socket (**NSP**) \* Specify if 3 or 7 pin is required\*
- DALI Dimming (**DA**)
- Zaga book 18 for Casambi wireless control (**ZBC**)
- Custom RAL paint finish (**RAL**)

## Dimensions

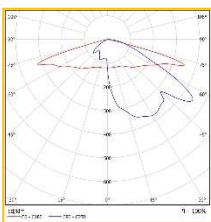


## Product Code

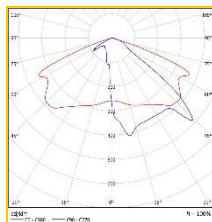
BKH-43-4K-9005-L***	Buckingham, 43w, 4K, 4,830lm, 475mm L x 475mm W x 535mm H
BKH-51-4K-9005-L***	Buckingham, 51w, 4K, 5,623lm, 475mm L x 475mm W x 535mm H
BKH-68-4K-9005-L***	Buckingham, 68w, 4K, 7,498lm, 475mm L x 475mm W x 535mm H
BKH-87-4K-9005-L***	Buckingham, 87w, 4K, 9,222lm, 475mm L x 475mm W x 535mm H

\*\* Example – BKH-43-4K-9005-LSM2 - Thurrock, 42w, 4,830lm RAL9005 c/w LSM2 optic \*\*.

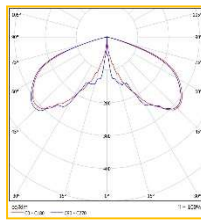
## Optics



LSM 1



LSM 2



LS 140

A high-performance LED projector flood light with various wattages and beam angle options

- Feature
- Landscape
- Bridge illumination
- Statue
- Shrubbery



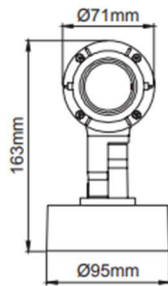
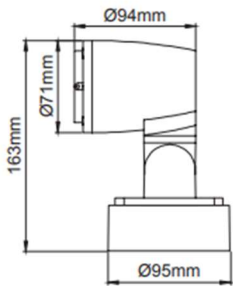
## Features

- Chromate conversion coat die-cast aluminium body
- Super spot, spot, medium, wide, wide Flood beam angle available
- Ground mounting spike option
- Glass diffuser
- Double layer polyester powder coat resistant to corrosion and salt spray fog
- IP66
- IK08

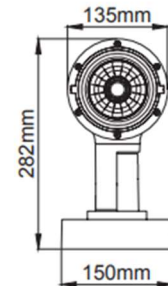
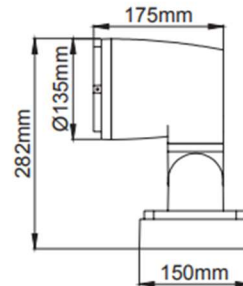
## Options

- Honeycomb louvre - **(HCL)**
- Visor - **(VS)**
- 12,20,30,40,60° **(Beam Angle options)**
- 2700K **(27K)** - 3000K **(3K)** - 4000K **(4K)**
- Custom paint finish - **(RAL)**
- Ground mounting spike - **(GS)**

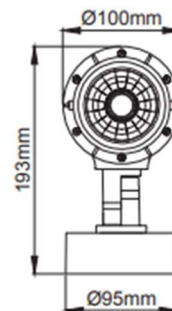
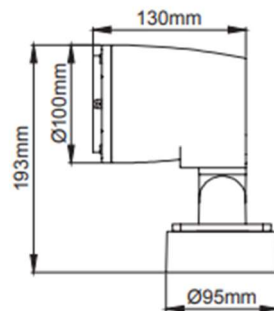
## Dimensions



Micro



Midi



Mini

## Product Code

CEI-7-4K-GR-30	Centi Micro, 7w, 4K, 813.0lm, CRI>80, finished RAL7016
CEI-10-4K-GR-30	Centi Micro, 10w, 4K, 1,162.0lm, CRI>80, finished RAL7016
CEI-15-4K-GR-30	Centi Mini, 15w, 4K, 1,744.0lm, CRI>80, finished RAL7016
CEI-20-4K-GR-30	Centi Mini, 20w, 4K, 2,325.0lm, CRI>80, finished RAL7016
CEI-32-4K-GR-30	Centi Midi, 32w, 4K, 3,720.0lm, CRI>80, finished RAL7016
CEI-35-4K-GR-30	Centi Midi, 35w, 4K, 4,069.0lm, CRI>80, finished RAL7016
CEI-42-4K-GR-30	Centi Midi, 42w, 4K, 4,882.0lm, CRI>80, finished RAL7016

\*\* Suffix 4K to required Kelvin \*\*

\*\* Suffix 30 for required beam angle option \*\*

\*\* Suffix end of code with accessory required\*\*

An updated version of the classic and timeless lantern for column and wall mounting, available in multiple output options.

- Streets
- Car Parks
- Pedestrian Walkway



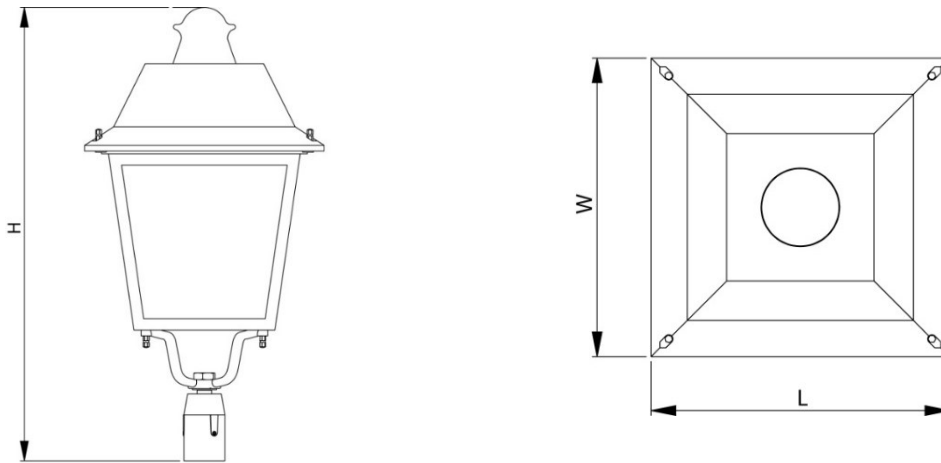
## Features

- Die-Cast aluminium body
- Glass diffuser
- Epoxy powder coated RAL9005
- IP65
- IK08

## Options

- Mini Photo-cell (**PCM**)
- DALI Dimming (**DA**)
- Zaga book 18 for Casambi wireless control (**ZBC**)
- Custom RAL paint finish (**RAL**)
- Polycarbonate diffuser (**PC**)

## Dimensions

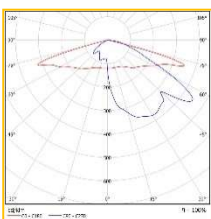


## Product Code

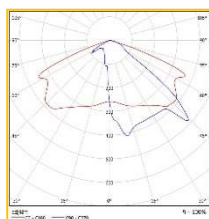
CHL-34-4K-9005-L***	Chelmsford, 34w, 4K, 4,451lm, 425mm L x 425mm W x 816mm H
CHL-44-4K-9005-L***	Chelmsford, 44w, 4K, 5,557lm, 425mm L x 425mm W x 816mm H
CHL-51-4K-9005-L***	Chelmsford, 51w, 4K, 6,677lm, 425mm L x 425mm W x 816mm H
CHL-65-4K-9005-L***	Chelmsford, 65w, 4K, 8,335lm, 425mm L x 425mm W x 816mm H

\*\* Example – CHL-34-4K-9005-LSM2 - Chelmsford, 34w, 4,451lm RAL9005 c/w LSM2 optic \*\*.

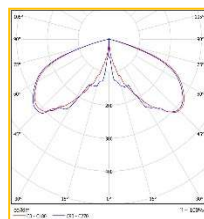
## Optics



LSM 1



LSM 2



LS140

Decorative surface mounted oval bulkhead with built in switchable PIR

- Building perimeter
- Balconies
- Canopy
- Car Parks
- Walk Ways



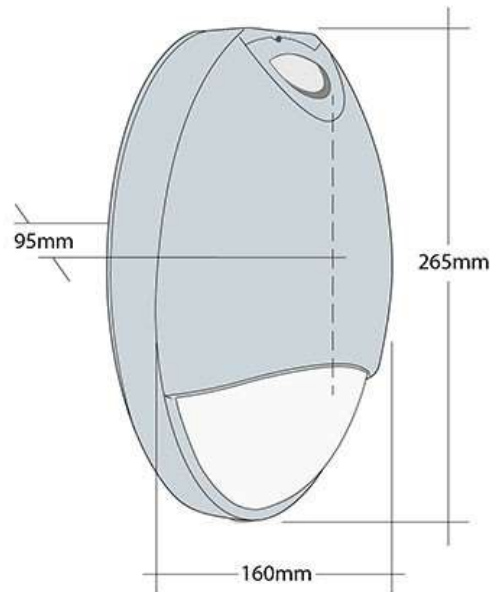
## Features

- Die-Cast aluminium base & cover
- Polycarbonate diffuser
- Epoxy powder coated RAL9005
- IP65
- IK10

## Options

- Integrated 3hr emergency -Standard (M3)

## Dimensions



## Product Code

ET-15-4K-BK

Eton, 15w, 4K, c/w switchable PIR 1050lm finished RAL9005

ET-15-4K-BK-M3

Eton, 15w, 4K, c/w switchable PIR 1050lm finished RAL9005 c/w 3hr emergency facility.

Wall / Ceiling mounted die-cast aluminium bulkhead, IK10, opal diffuser, Stainless steel fixings

- Building perimeter
- Balconies
- Canopy
- Car Parks



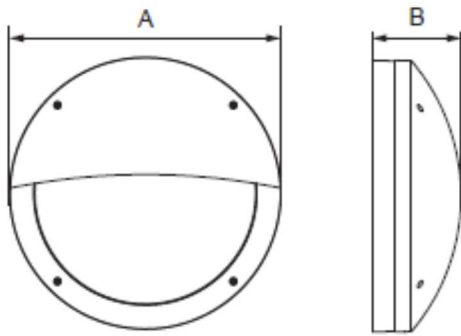
## Features

- Die-Cast aluminium base & cover
- Polycarbonate diffuser
- Epoxy powder coated RAL9005
- IP65
- IK10

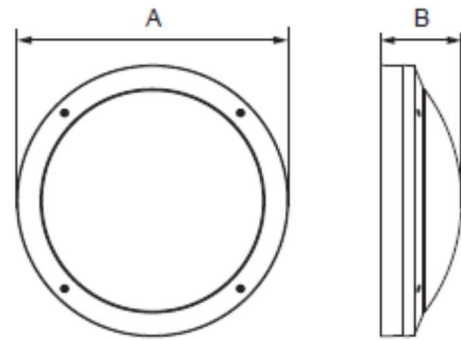
## Options

- Integrated 3hr emergency -Standard **(M3)**
  - Micro-wave sensor **(MW1)**
  - Photo-cell **(PC)**
  - DALI Dimming **(DA)**
  - Custom RAL paint finish **(RAL)**
- Self - Testing Emergency **(STE)**

## Dimensions



362mm x 118mm



362mm x 108mm

## Product Code

FLH-14-4K-BK	FusiLED, 14w, Eyelid 1,390lm, IP65, IK10, finished RAL9005
FLO-14-4K-BK	FusiLED 14w, Open face 1,450lm, IP65, IK10, finished RAL9005

\*\* Suffix end of code with option required\*\*

\*\* Example – FLH-14-4K-BK-M3 FusiLED 14w, Eyelid c/w 3hr emergency facility.

Surface/Wall mounted die-cast aluminium base non-corrosive c/w opal polycarbonate diffuser & stainless-steel security fixings

- Car Park
- Boiler Room
- Bike Shed
- Industrial
- Workshop
- Laundry



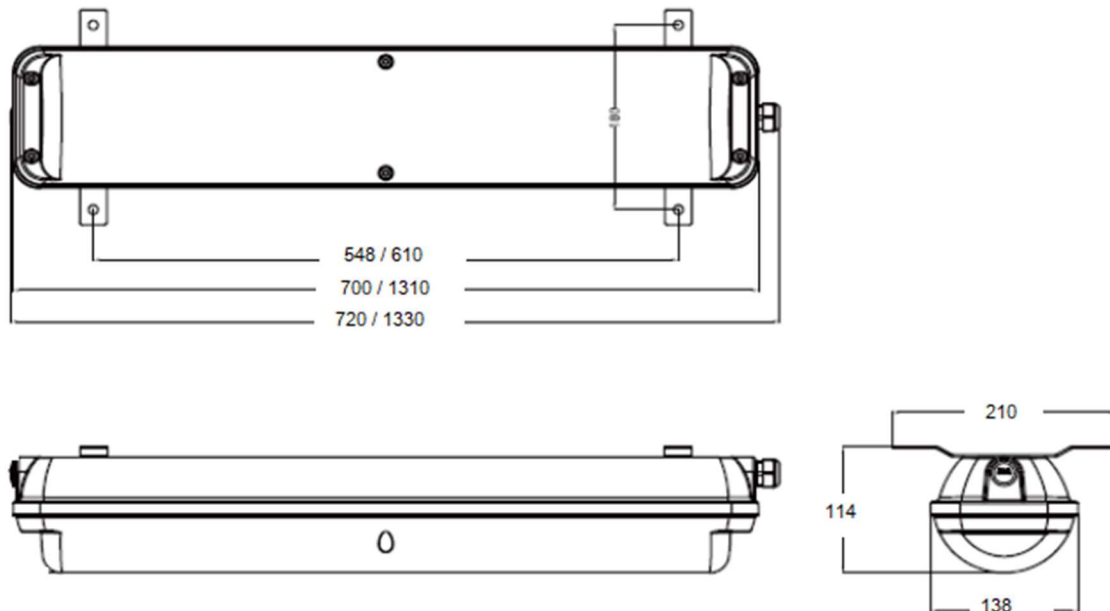
## Features

- Die-cast aluminium base powder coat RAL9006
- Opal UV stabilised polycarbonate diffuser
- Wattage & 3CCT selectable
- Stainless Steel security fixing
- IK10 – BSEN 2262
- IP66

## Options

- Integrated 3hr emergency -Standard **(M3)** - Self Testing Emergency **(STE)**
- DALI Monitor Emergency **(D3)**
- DALI **(DA)**
- Batten mounted PIR Sensor **(BPIR)**
- Mirco-wave Sensor **(MW1)**
- Casambi wireless control **(BTC)**

## Dimensions



## Product Code

GLD-SW-CCT-66-OP-2F	Gladiator, 11,14,17,20w, 1320,1680,2040,2400lm, 3CCT, 720mm
GLD-SW-CCT-66-OP-4F	Gladiator, 33,40,42,50w, 3960,4800,5040,6000lm, 3CCT, 1330mm

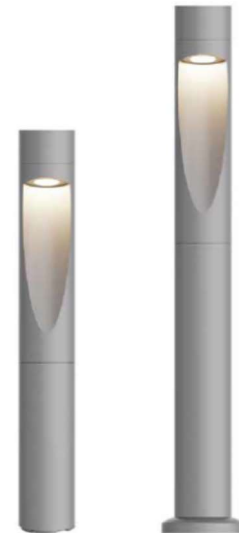
\*\* Suffix end of code (**M3**) for emergency facility or (**BPIR**) PIR Sensor or (**BTC**) for Casambi Wireless Control

\*\*Example: GLD-SW-CCT-66-OP-2F-BTC

Gladiator, 720mm body switchable power & CCT c/w Casambi

A modern and decorative bollard available in two heights with asymmetric light distribution offering very low upward light.

- Car Parks
- Building perimeter
- Pathways



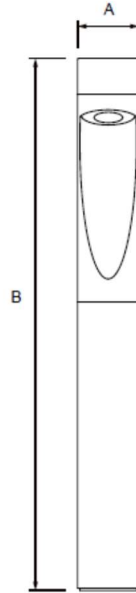
## Features

- Extruded aluminium body
- Glass diffuser
- Epoxy powder coated RAL9007
- IP66
- IK09

## Options

- DALI Dimming (**DA**)
- Custom RAL paint finish (**RAL**)
- J Bolt fixing Kit (**JB7000**)
- Root mounting Kit (**RM7000**)
- Flange mounting cover (**FMC**)

## Dimensions



Dimensions: 'A' 118mm x 'B' 800/1000mm

## Product Code

HRW-15-3K-SL-80	Harrow, 15w, 1050lm, 3K, IP65, 800mm, IK09, finished RAL9007
HRW-15-3K-SL-10	Harrow, 15w, 1050lm, 3K, IP65, 1000mm, IK09, finished RAL9007

\*\* Suffix end of code with option required\*\*

\*\* Example – HRW-15-3K-SL-10-FMP                      Harrow, 15w, 1000mm c/w flange mounting cover

# Koala D

High quality wall mounted downlight, IP66, IK08 with beam angles options

- Building Facades
- Pillars illumination



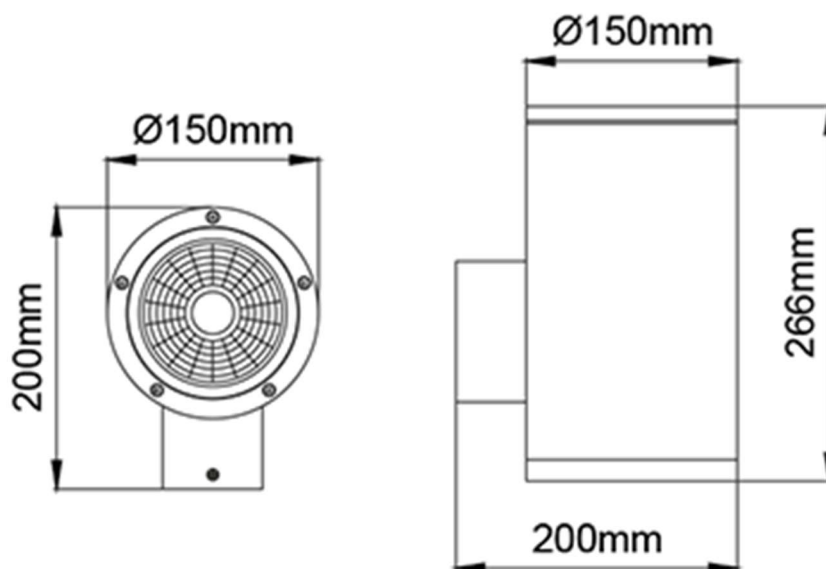
## Features

- Faceted reflector 12°, 20°, 30°, 40°, 60° options
- Corrosion resistant die-Cast body & bezel
- Dimmable options
- Thermal shock resistant glass diffuser
- Double layer polyester powder coating resistant to corrosion and salt spray fog
- CRI<3SDCM
- Life >50,000h (L70/B10)

## Options

- DALI – **(DA)**
- 3hr emergency facility – **(M3)**
- 3hr DALI monitored emergency **(D3)**
- RAL Colour option **(RAL)**

## Dimensions



## Product Code

KOL-40-27K-30-BK	Koala 40w, 2700K, 5,230lm, c/w 30° reflector finished RAL 9005 black
KOL-40-3K-30-BK	Koala 40w, 3000K, 5,335lm, c/w 30° reflector finished RAL 9005 black
KOL-40-4K-30-BK	Koala 40w, 4000K, 5,556lm, c/w 30° reflector finished RAL 9005 black

\*\* Suffix 30 to reflector degree option required\*\*

\*\* Suffix BK with required RAL colour\*\*

\*\*Suffix end of code with options required\*\*

# Koala UD

High quality wall mounted up/downlight, IP66, IK08 with beam angles options

- Building Facades
- Pillars illumination



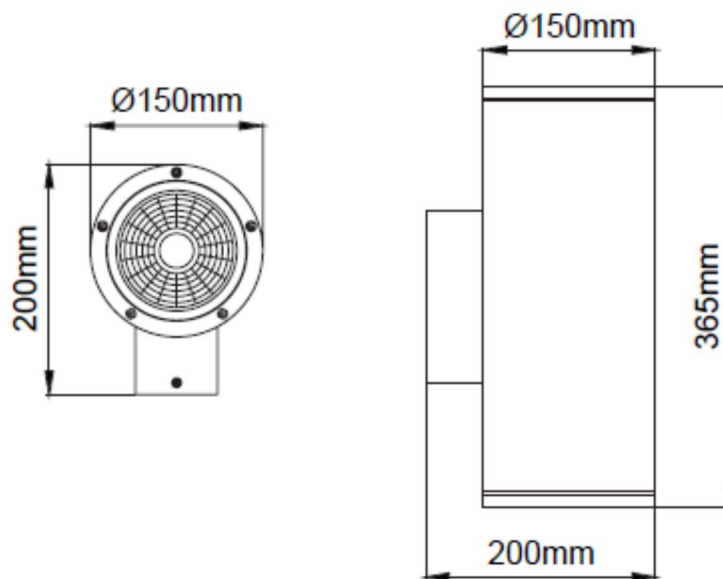
## Features

- Faceted reflector 12°, 20°, 30°, 40°, 60° options
- Corrosion resistant die-Cast body & bezel
- Dimmable options
- Thermal shock resistant glass diffuser
- Double layer polyester powder coating resistant to corrosion and salt spray fog
- CRI<3SDCM
- Life >50,000h (L70/B10)

## Options

- DALI – (DA)
- 3hr emergency facility – (M3)
- 3hr DALI monitored emergency (D3)
- RAL Colour option (RAL)

## Dimensions



## Product Code

KOL-40-27K-30-UD-BK	Koala 2 x 40w, 2700K, 5,230lm, c/w 30° reflector finished RAL 9005 black
KOL-40-3K-30-UD-BK	Koala 2 x 40w, 3000K, 5,335lm, c/w 30° reflector finished RAL 9005 black
KOL-40-4K-30-UD-BK	Koala 2 x 40w, 4000K, 5,556lm, c/w 30° reflector finished RAL 9005 black

\*\* Suffix 30 to reflector degree option required \*\*

\*\* Suffix BK with required RAL colour \*\*

\*\* Suffix end of code with options required \*\*

\*\* Custom wattages available on request \*\*

Contemporary and stylish luminaire available in a range of outputs. Ideal for pedestrian areas, terraces, general circulation spaces.

- Streets
- Car Parks
- Pedestrian Walkway



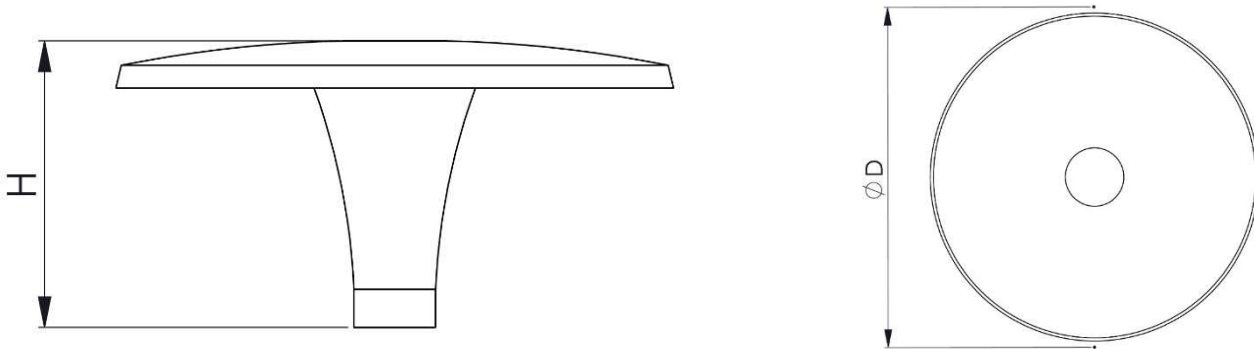
## Features

- Die-Cast aluminium housing
- Glass diffuser
- Epoxy powder coated RAL9006
- IP66
- IK08

## Options

- Mini Photo-cell (**PCM**)
- Nema Socket (**NSP**) \* Specify if 3 or 7 pin is required\*
- DALI Dimming (**DA**)
- Zaga book 18 for Casambi wireless control (**ZBC**)
- Custom RAL paint finish (**RAL**)

## Dimensions



H = 235mm x D = 500mm

## Product Code

LEX-34-4K-9006-LS140

Lexden, 34w, 4K, 5,009lm, 235mm H x 500mm D

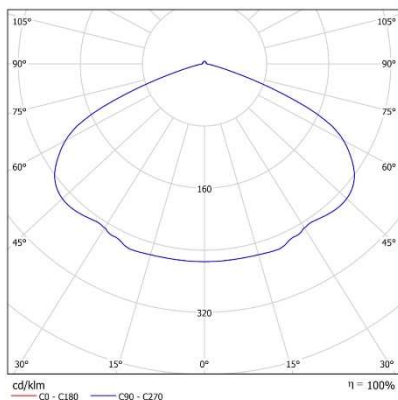
LEX-48-4K-9006-LS140

Lexden, 48w, 4K, 7,073lm, 235mm H x 500mm D

LEX-68-4K-9006-LS140

Lexden, 68w, 4K, 9,663lm, 235mm H x 500mm D

## Optics



LS 140

A unique design wall luminaire with selectable outputs and CCT and with zero upward light.



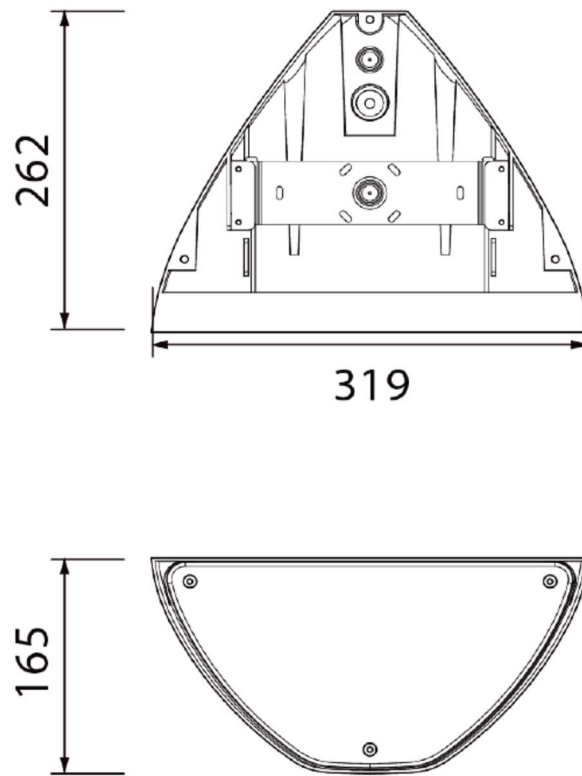
## Features

- Die-cast aluminium housing RAL7016 as standard other colours available on request
- IK10 impact resistant diffuser
- Stainless Steel fixings
- High quality LED CCT LED chip & Switchable power driver
- IP65

## Options

- Integrated 3hr emergency -Standard **(EM)** Self -Testing Emergency **(STE)**
- Microwave Sensor **(MW1)**
- Photo-Cell **(PC)**
- Casambi Wireless Control **(BTC)**

## Dimensions



## Product Code

MA-L-SW-CCT-BK      Mako, 15, 20, 28w, switchable power 1960-3640lm, CCT, IP65, IK10

\*\* Suffix end of code **(EM)** for emergency facility or **(PC)** Photo-cell or **(BTC)** for Casambi Wireless Control\*\*

Example: MA-L-SW-BK-BTC      Mako, 15-20w, 1960-3640lm, IP65, IK10 c/w Bluetooth wireless control.

A modern contemporary bollard with indirect light to reduce glare available with wattage and height options.

- Carparks
- Building perimeter
- Pathways
- Pedestrian Areas



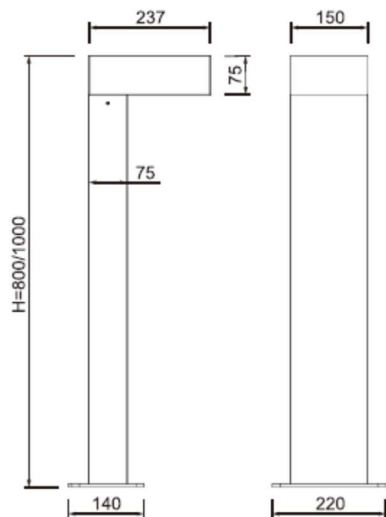
## Features

- Die-Cast aluminium body
- Polycarbonate diffuser
- Epoxy powder coated RAL9005
- IP66
- IK09

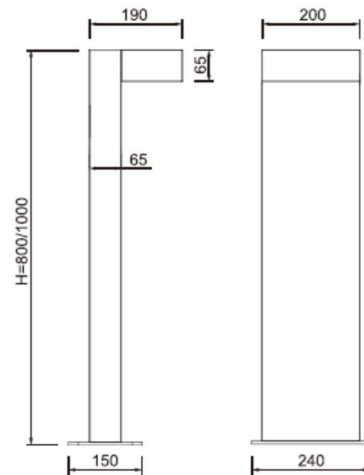
## Options

- Integrated 3hr emergency -Standard **(M3)**      Self - Testing Emergency **(STE)**
- Micro-wave sensor **(MW1)**
- Photo-cell **(PC)**
- DALI Dimming **(DA)**
- Custom RAL paint finish **(RAL)**
- J-Bolt fixing Kit **(JB7000)**
- Root Mounting Kit **(RM7000)**

## Dimensions



12w



25w

## Product Code

PLY-12-4K-BK-F-80	Plymouth bollard, 12w, 1,300lm, IP66, IK09, 800mm H, finished RAL9005
PLY-12-4K-BK-F-10	Plymouth bollard, 12w, 1,300lm, IP66, IK09, 1000mm H, finished RAL9005
PLY-25-4K-BK-F-80	Plymouth bollard, 25w, 2,700lm, IP66, IK09, 800mm H, finished RAL9005
PLY-25-4K-BK-F-10	Plymouth bollard, 25w, 2,700lm, IP66, IK09, 1000mm H, finished RAL9005

\*\* Suffix end of code with option required\*\*

\*\* Example – PLY-12-4K-BK-F-M3

Plymouth Bollard, 12w, 1,300lm c/w 3hr emergency

Contemporary and stylish luminaire available in a range of outputs. Ideal for pedestrian areas, terraces, general circulation spaces.

- Streets
- Car Parks
- Pedestrian Walkway



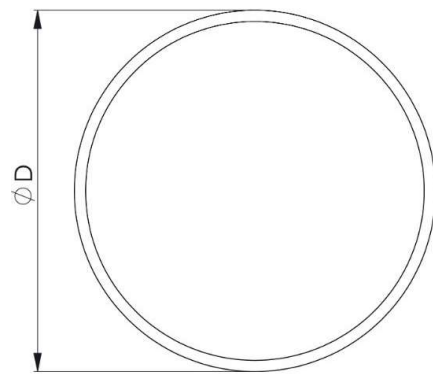
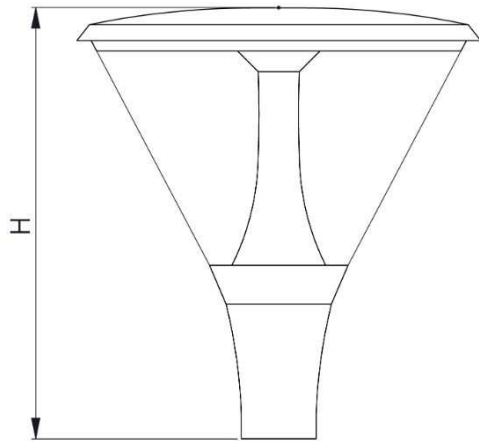
## Features

- Die-Cast aluminium housing
- Polycarbonate diffuser
- Epoxy powder coated RAL9007
- IP66
- IK09

## Options

- Mini Photo-cell (**PCM**)
- DALI Dimming (**DA**)
- Custom RAL paint finish (**RAL**)

## Dimensions



H – 523mm x D – 500mm

## Product Code

SIR-39-4K-9007-LSM2

Sirius, 39w, 4K, 5,275lm, 523mm H x 500mm D

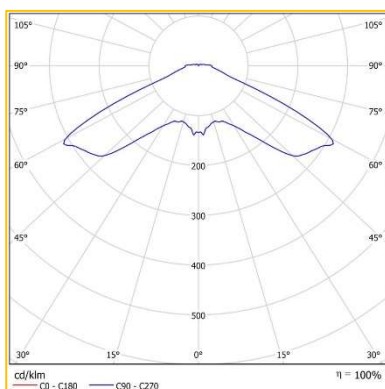
SIR-58-4K-9007-LSM2

Sirius, 58w, 4K, 7,394lm, 523mm H x 500mm D

SIR-78-4K-9007-LSM2

Sirius, 78w, 4K, 9,328lm, 523mm H x 500mm D

## Optics



A high-performance LED sports Lighter with various wattages and beam angle options

- Football Pitches
- MUGA
- Tennis Courts
- Cricket Pitches
- Athletics Track



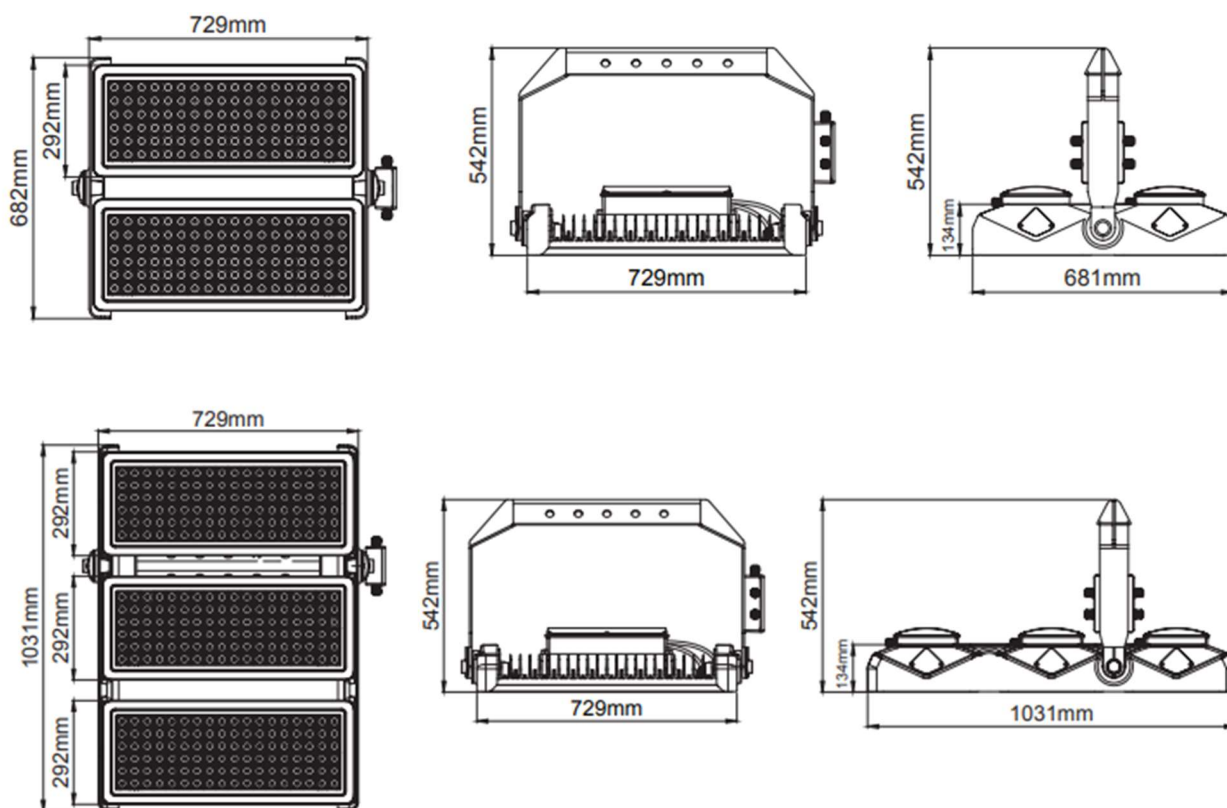
## Features

- Chromate conversion coat die-cast aluminium body
- Spot, medium, wide, wide Flood beam angle available
- Rear mounted control gear
- Glass diffuser
- Double layer polyester powder coat resistant to corrosion and salt spray fog
- IP66
- IK08

## Options

- DALI Dimming - (DA)
- 1-10v Dimming – (1-10)
- 15,36,55,75° (Beam Angle options)
- 3000K (3K)
- RAL (Custom paint finish)

## Dimensions



## Product Code

SPE-450-4K-BK-**	Spectrum single cell 450w, 56,591lm, 4K, CRI>80, RAL9005
SPE-900-4K-BK-**	Spectrum double cell 900w, 113,183lm, 4K, CRI>80, RAL9005
SPE-1350-4K-BK-**	Spectrum triple cell 1350w, 169,773lm, 4K, CRI>80, RAL9005

\*\* Suffix 4K to 3K for 3000 Kelvin \*\*

\*\* Suffix end of code with beam angle option \*\*

This high-performance luminaire is available in two sizes with a power range 26w to 78w. A modern and minimalist design ideal for urban and amenity applications.

- Streets
- Car Parks
- Pedestrian Walkway



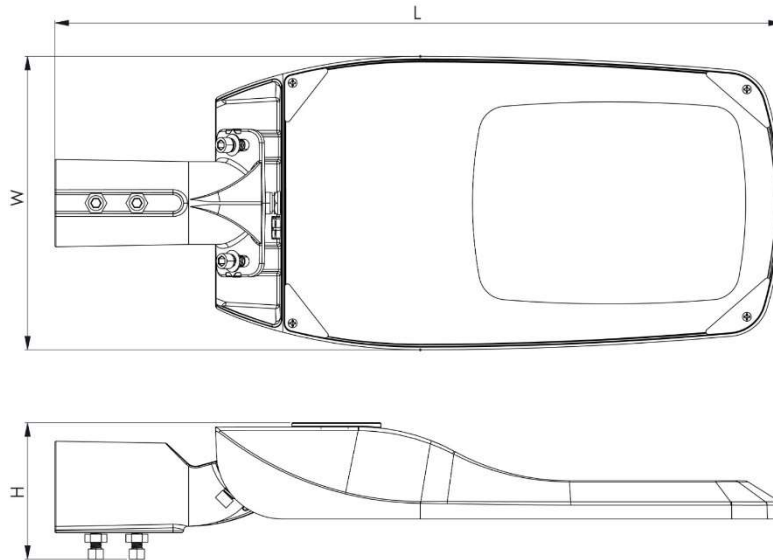
## Features

- Die-Cast aluminium base & cover
- Glass diffuser
- Epoxy powder coated RAL7035
- IP66
- IK09

## Options

- Mini Photo-cell (**PCM**)
- Nema Socket (**NSP**) \* Specify if 3 or 7 pin is required\*
- DALI Dimming (**DA**)
- Zaga book 18 for Casambi wireless control (**ZBC**)
- Custom RAL paint finish (**RAL**)

## Dimensions

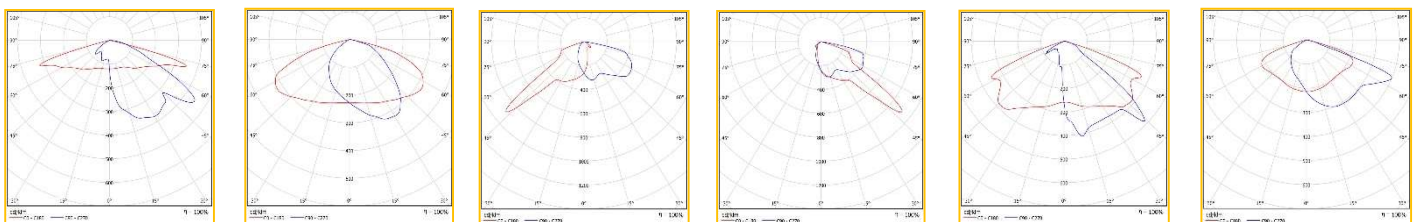


## Product Code

THR-26-4K-7035-L***	Thurrock, 26w, 4K, 3,872lm, 559mm L x 216mm W x 93mm H
THR-32-4K-7035-L***	Thurrock, 32w, 4K, 4,835lm, 559mm L x 216mm W x 93mm H
THR-42-4K-7035-L***	Thurrock, 42w, 4K, 6,700lm, 559mm L x 216mm W x 93mm H
THR-58-4K-7035-L***	Thurrock, 58w, 4K, 8,677lm, 559mm L x 216mm W x 93mm H
THR-78-4K-7035-L***	Thurrock, 78w, 4K, 11,002lm, 559mm L x 216mm W x 93mm H

\*\* Example – THR-42-4K-7035-LSM2 - Thurrock, 42w, 6,700lm RAL7035 c/w LSM2 optic \*\*.

## Optics



LSM 1

LSM 2

LSPL 1

LSPR 1

LSS 1

LSS 2

Contemporary and stylish wall mounted bulkhead

- Streets
- Car Parks
- Pedestrian Walkway



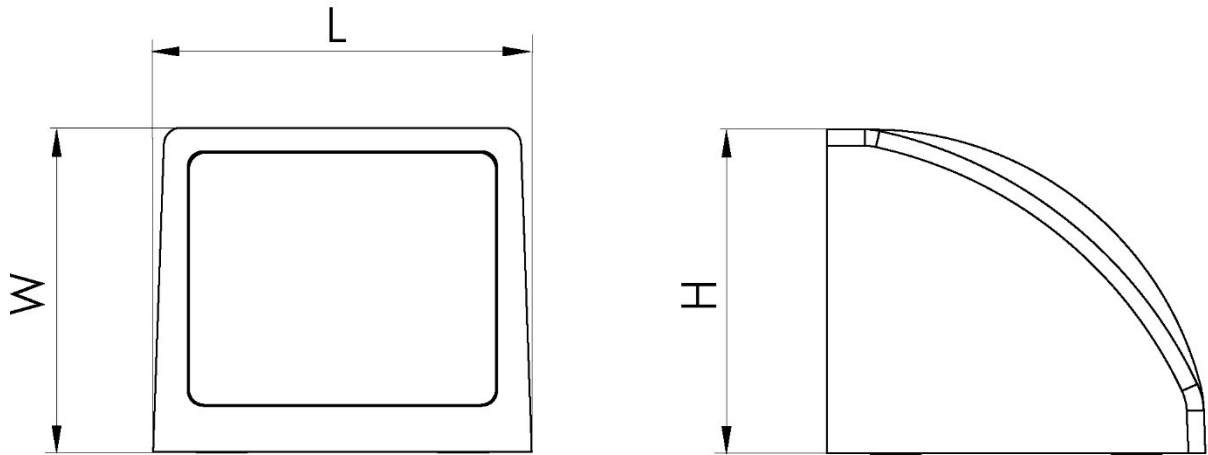
## Features

- Die-Cast aluminium housing
- Glass diffuser
- Epoxy powder coated RAL7043 (other colours available on request)
- IP65
- IK08

## Options

- Mini Photo-cell (**MPC**)
- DALI Dimming (**DA**)
- Custom RAL paint finish (**RAL**)

## Dimensions



H = 111mm x L = 111mm x W = 95mm

## Product Code

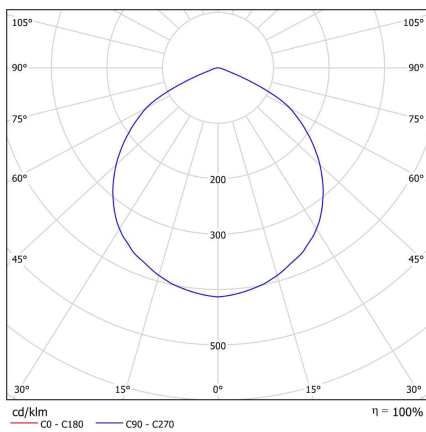
VAL-8-3K-7043-T90

Vale, 8w, 4K, 840lm, 111mm H x 111mm L x 95mm W

VAL-8-4K-7043-T90

Vale, 8w, 4K, 875lm, 111mm H x 111mm L x 95mm W

## Optics



T90

Surface mounted robust IK08, IP66 LED downlighter, option of beam angles & RAL colour options

- Canopy
- Underpass
- Leisure centre
- Broad walk



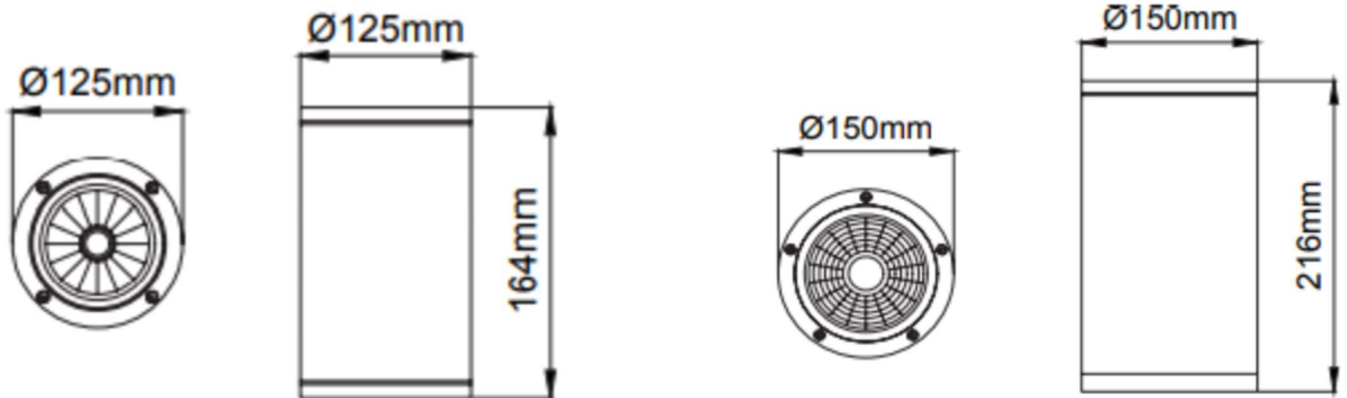
## Features

- Corrosion resistant die-Cast aluminium body & base
- Double layer polyester powder coat, resistant to corrosion & salt spray fog
- Spot, medium, wide & wide flood beam option
- Thermal shock resistant safety glass
- Epoxy powder coated RAL7016 as standard
- IP66
- IK08

## Options

- DALI Dimming – (DA)
- 1-10v dimming – (1-10)
- 3000K – (3K)
- 20,30,40,60°beam angle option
- Custom paint finish (RAL)

## Dimensions



## Product Code

VEG-9-4K-65-30D	Vega, 9w, 4K, 1,251lm, IP65 c/w 30° reflector finished RAL7016
VEG-15-4K-65-30D	Vega, 15w, 4K, 2,085lm, IP65, c/w 30° reflector finished RAL7016
VEG-28-4K-65-30D	Vega, 28w, 4K, 3,892lm, IP65 c/w 30° reflector finished RAL7016
VEG-40-4K-65-30D	Vega, 40w, 4K, 5,560lm, IP65 c/w 30° reflector finished RAL7016

\*\* Suffix 4K to 3K for 3000 Kelvin \*\*

\*\* Suffix 30D to required beam angle \*\*

A modern take on a traditional bollard available with three head options, Flat, Dome, Louvre with indirect light to reduce glare.

- Carparks
- Building perimeter
- Pathways



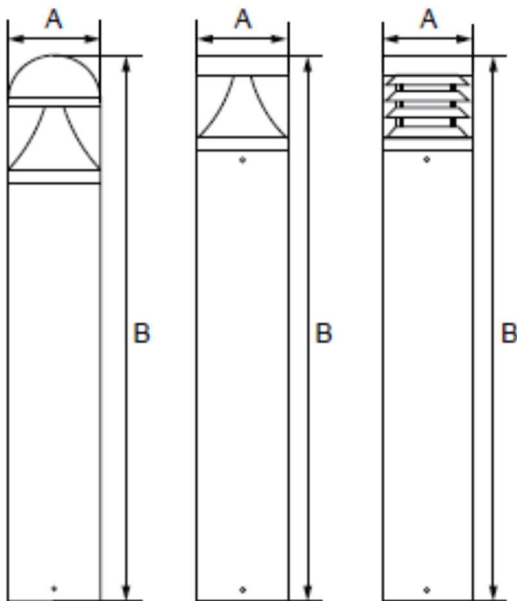
## Features

- Die-Cast aluminium body
- Polycarbonate diffuser
- Epoxy powder coated RAL9005
- IP65
- IK09

## Options

- Integrated 3hr emergency -Standard (**M3**)      Self - Testing Emergency (**STE**)
- Micro-wave sensor (**MW1**)
- Photo-cell (**PC**)
- DALI Dimming (**DA**)
- Custom RAL paint finish (**RAL**)
- J-Bolt fixing Kit (**JB7000**)
- Root Mounting Kit (**RM7000**)

## Dimensions



Dimensions

'A' 168mm x 'B' 1000mm

## Product Code

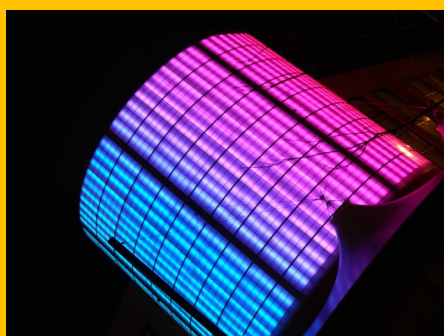
WIN-25-CCT-BK-F	Winchester flat top, 25w, 2340/2370lm, IP65, IK09, finished RAL9005
WIN-25-CCT-BK-D	Winchester dome top, 25w, 2340/2370lm, IP65, IK09, finished RAL9005
WIN-25-CCT-BK-L	Winchester louvre top, 25w,950/1000lm, IP65, IK09, finished RAL9005

\*\* Suffix end of code with option required\*\*

\*\* Example – WIN-25-CCT-BK-F-M3

Winchester Bollard, flat top, 25w, c/w 3hr emergency

# Commercial Lighting Solutions



Recessed backlit IP65 LED suitable for exposed tee 15/24mm & concealed grid ceiling.

- Classrooms
- Veterinary
- Hospitals
- Surgery
- Laboratory



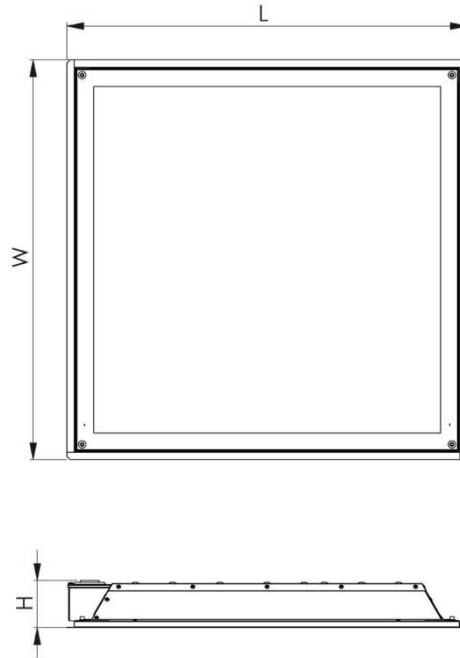
## Features

- Fabricated Steel Body
- Extruded Aluminium bezel
- Epoxy powder coated RAL9016
- IP65 (From Face)
- Opal Satin Diffuser 850° Glow wire test

## Options

- Integrated 3hr emergency -Standard **(M3)** – Self-Testing Emergency **(STE)**
- DALI Monitored emergency **(D3)**
- DALI **(DA)**
- Casambi Wireless Control **(BTC)**

## Dimensions



Dimensions – 'L' 595mm x 'W' 595mm x 'H' 75mm

## Product Code

CLN-26-4K-65                      CLINILED, 26w, 4K, 3,322lm, IP65, Opal diffuser

CLN-33-4K-65                      CLINILED, 33w, 4K, 4,332lm, IP65, Opal diffuser

\*\* Suffix end of code **(M3)** for emergency facility or **(DA)** for DALI/Switch DIM or **(BTC)** for Casambi Wireless Control

\*\*Example: CLN-26-4K-65-DA                      CliniLED, 26w, 4K c/w DALI

A stylish recessed drum minimal bezel with varying diameters from 300mm to 900mm

- Reception
- Core Areas
- Break-Out
- Offices
- Boardrooms



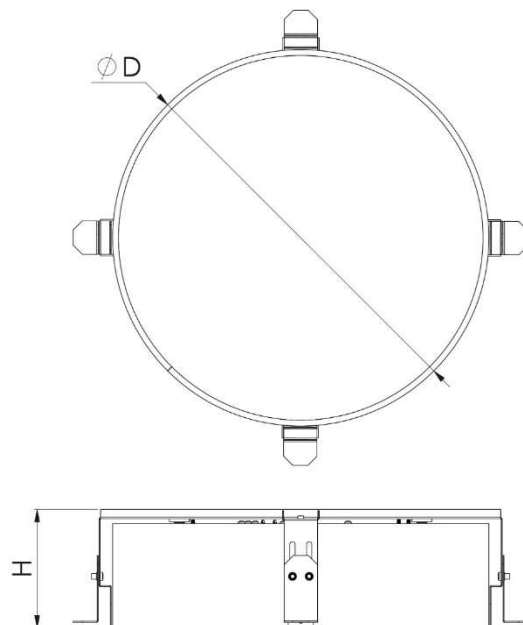
## Features

- Fabricated steel body
- Steel side retaining brackets
- Epoxy powder coated RAL9016
- IP20
- Opal PMMA diffuser

## Options

- Integrated 3hr emergency -Standard **(M3)** – Self-Testing Emergency **(STE)**
- DALI **(DA)**
- DALI Monitored emergency **(D3)**
- Casambi Wireless Control **(BTC)**

## Dimensions



## Product Code

DA-18-4K-OP-WH	DARTFORD 18w, 4K, 1898lm, 326mm Dia, 126mm H
DA-27-4K-OP-WH	DARTFORD 27w, 4K, 2574lm, 326mm Dia, 126mm H
DA-25-4K-OP-WH	DARTFORD 25w, 4K, 2876lm, 476mm Dia, 126mm H
DA-36-4K-OP-WH	DARTFORD 36w, 4K, 3914lm, 476mm Dia, 126mm H
DA-54-4K-OP-WH	DARTFORD 54w, 4K, 6275lm, 624mm Dia, 136mm H
DA-78-4K-OP-WH	DARTFORD 78w, 4K, 8540lm, 624mm Dia, 136mm H
DA-79-4K-OP-WH	DARTFORD 79w, 4K, 8790lm, 922mm Dia, 136mm H
DA-100-4K-OP-WH	DARTFORD 100w, 4K, 10847lm, 922mm Dia, 136mm H

\*\* Example – DA-36-4K-OP-WH-DA

Dartford 36w, 3914lm 4K c/w DALI Dimming

Recessed backlit LED panel suitable for exposed tee 15/24mm

- Schools
- Colleges
- Hospitals
- Offices
- Boardrooms



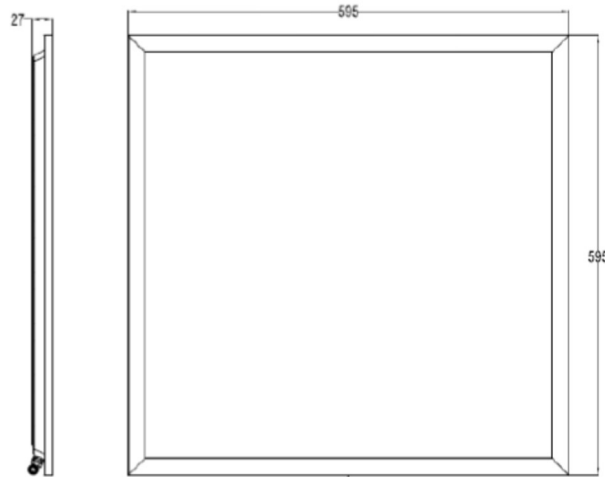
## Features

- Steel Base
- Die-Cast Aluminium bezel
- Epoxy powder coated RAL9016
- IP20
- Opal Satin Diffuser 650° Glow wire test

## Options

- Integrated 3hr emergency -Standard **(M3)** – Self-Testing Emergency **(STE)**
- DALI **(DA)**
- Casambi Wireless Control **(BTC)**

## Dimensions



## Product Code

DP-36-4K-WH

DELTA 36w, 4K, 595mm x 595mm LED panel

DP-36-4K-UGR-WH

DELTA 36w, 4K, UGR<19, 595mm x 595mm LED Panel

\*\* Suffix end of code **(M3)** for emergency facility or **(DA)** for DALI/Switch DIM or **(BTC)** for Casambi Wireless Control

\*\*Example: DP-36-4K-WH-DA

DELTA c/w DALI/Switch DIM Control

Recessed side lit LED panel suitable for exposed tee 15/24mm

- Schools
- Colleges
- Hospitals
- Offices
- Boardrooms



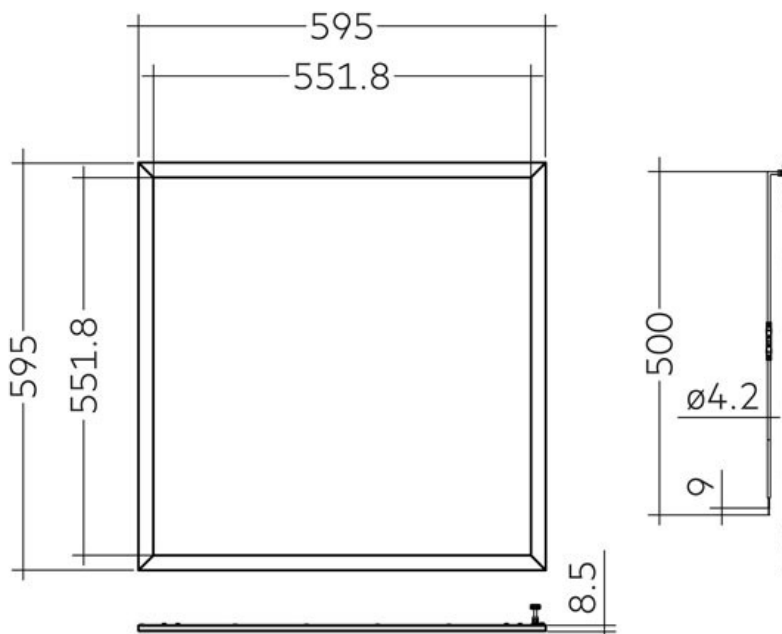
## Features

- Aluminium base plate
- Die-Cast Aluminium bezel
- Epoxy powder coated RAL9016
- IP20
- Satin Diffuser 850° Glow wire test
- UGR<19

## Options

- Integrated 3hr emergency -Standard (**M3**) – Self-Testing Emergency (**STE**)
- DALI (**DA**)
- Casambi Wireless Control (**BTC**)

## Dimensions



## Product Code

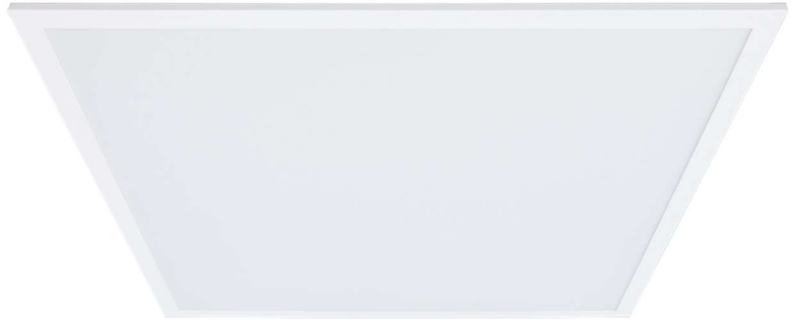
DPV-23-4K-UGR-WH	Delta Advance 23w, 3,049lm, 600mA, 4K, 595mm x 595mm LED panel
DPV-31-4K-UGR-WH	Delta Advance 31w, 4,295lm, 800mA, 4K, 595mm x 595mm LED panel
DPV-35-4K-UGR-WH	Delta Advance 35w, 4,447lm, 900mA, 4K, 595mm x 595mm LED panel

\*\* Suffix end of code **(M3)** for emergency facility or **(DA)** for DALI/Switch DIM or **(BTC)** for Casambi Wireless Control

\*\* Suffix 4K to 3K for 3000 Kelvin

Recessed backlit IP65 LED suitable for exposed tee 15/24mm

- Classrooms
- Veterinary
- Hospitals
- Showers Blocks
- Pharmacy



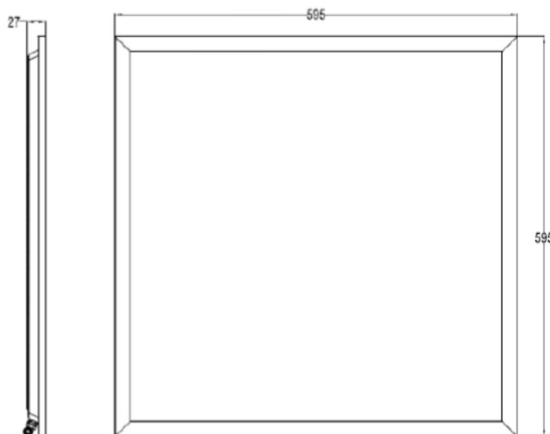
## Features

- Steel Base
- Die-Cast Aluminium bezel
- Epoxy powder coated RAL9016
- Wattage Selectable
- IP65 (From Face)
- Opal Satin Diffuser 650° Glow wire test

## Options

- Integrated 3hr emergency -Standard **(M3)** – Self-Testing Emergency **(STE)**
- DALI **(DA)**
- Casambi Wireless Control **(BTC)**

## Dimensions



## Product Code

DLP-WS-4K-WH

DELTA IP, wattage selectable between 20w – 40w

- 20w	500mA	2000lm	- 25w	620mA	2500lm
- 30w	750mA	3000lm	- 36w	900mA	3600lm
- 40w	1000mA	4000lm			

\*\* Suffix end of code **(M3)** for emergency facility or **(DA)** for DALI/Switch DIM or **(BTC)** for Casambi Wireless Control

\*\*Example: DLP-WS-4K-WH-DA

DELTA IP c/w DALI/Switch DIM Control

Recessed backlit UGR<19 LED panel suitable for exposed tee 15/24mm

- Schools
- Colleges
- Hospitals
- Offices
- Boardrooms



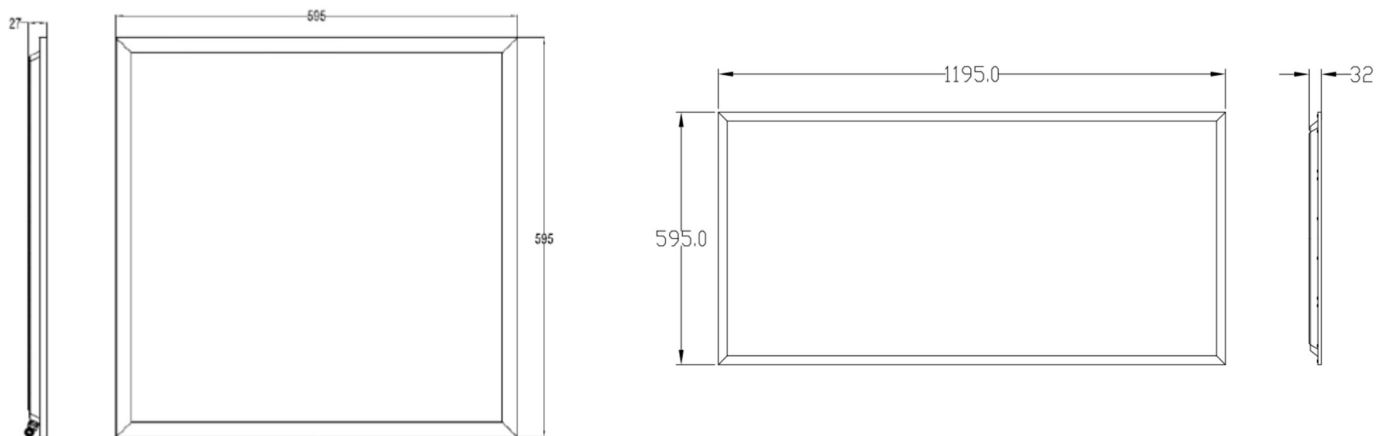
## Features

- Steel Base
- Die-Cast Aluminium bezel
- Epoxy powder coated RAL9016
- Wattage Selectable
- IP20
- Opal Satin Diffuser 650° Glow wire test

## Options

- Integrated 3hr emergency -Standard (**M3**) – Self-Testing Emergency (**STE**)
- DALI (**DA**)
- Casambi Wireless Control (**BTC**)

## Dimensions



## Product Code

DP-WS-4K-WH

DELTA Pro, wattage selectable between 20w – 40w

DP-60-4K-UGR-WH

DELTA Pro, 1195 x 595mm, 60w, 6000lm

- 20w 500mA 2000lm  
- 30w 750mA 3000lm  
- 40w 1000mA 4000lm

- 25w 620mA 2500lm  
- 36w 900mA 3600lm

\*\* Suffix end of code (**M3**) for emergency facility or (**DA**) for DALI/Switch DIM or (**BTC**) for Casambi Wireless Control

\*\*Example: DP-WS-4K-WH-DA

DELTA Pro c/w DALI/Switch DIM Control

Recessed backlit LED suitable for SAS 330 metal pan ceiling system

- Schools
- Colleges
- Hospitals
- Offices
- Boardrooms



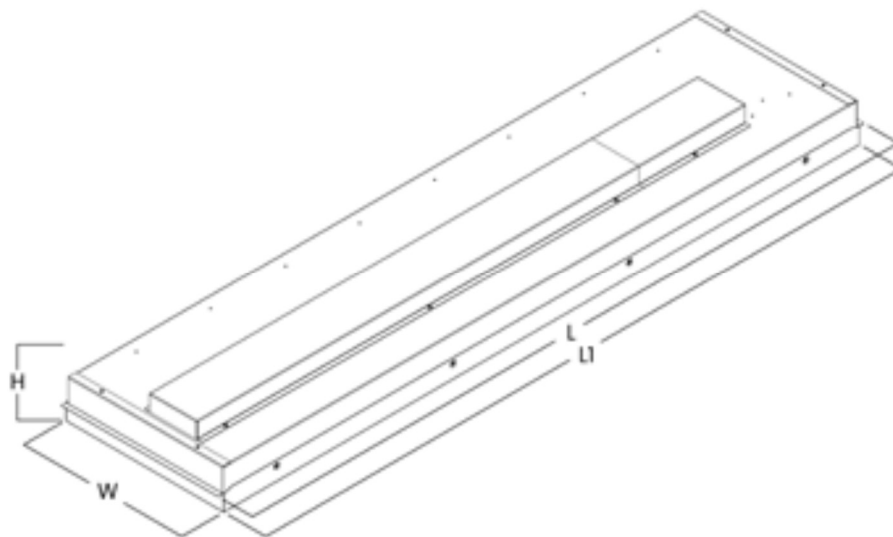
## Features

- Steel fabricated body
- Micro-prism diffuser optic
- Epoxy powder coated RAL9010
- IP40
- 850° Glow wire test
- UGR<19 (Micro-prism)

## Options

- Opal Diffuser (**OP**)
- Integrated 3hr emergency -Standard (**M3**)
- Self-Testing Emergency (**STE**)
- DALI Monitored emergency (**D3**)
- DALI (**DA**)
- Casambi Wireless Control (**BTC**)
- 3000 Kelvin (**suffix 4K to 3K**)

## Dimensions



L = 1200mm x L1 = 1194mm x W = 297mm x H = 100mm

## Product Code

DSA-30-4K-MPO-WH	Delta 1200 x 300, 4K, 30w, 4,271lm, micro-prism, RAL9010
DSA-35-4K-MPO-WH	Delta 1200 x 300, 4K, 35w, 4,983lm, micro-prism, RAL9010
DSA-40-4K-MPO-WH	Delta 1200 x 300, 4K, 40w, 5,695lm, micro-prism, RAL9010
DSA-45-4K-MPO-WH	Delta 1200 x 300, 4K, 45w, 6,407lm, micro-prism, RAL9010

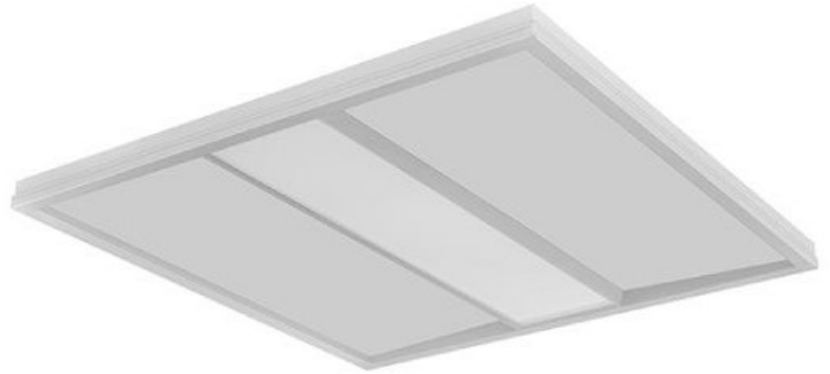
\*\* Suffix end of code for required option\*\*

\*\*Example: DSA-30-4K-MPO-WH-DA-D3\*\*

Delta , 30w, 4K c/w micro-prism optic, DALI & DALI monitored emergency facility

Recessed backlit Direct/Indirect UGR<19 LED panel suitable for exposed tee 15/24mm

- Schools
- Colleges
- Hospitals
- Offices
- Boardrooms



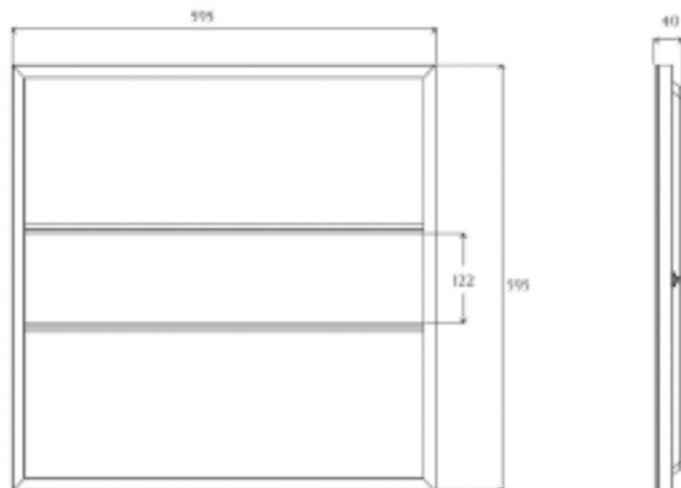
## Features

- Steel Base
- Die-Cast Aluminium bezel
- Epoxy powder coated RAL9016
- Wattage Selectable
- IP20
- Opal Satin Diffuser 650° Glow wire test

## Options

- Integrated 3hr emergency -Standard **(M3)** – Self-Testing Emergency **(STE)**
- DALI **(DA)**
- Casambi Wireless Control **(BTC)**

## Dimensions



## Product Code

ER2-WS-4K-WH

ERITH 2, wattage selectable between 20w – 40w

- 20w	500mA	2000lm	- 25w	620mA	2500lm
- 30w	750mA	3000lm	- 36w	900mA	3600lm
- 40w	1000mA	4000lm			

\*\* Suffix end of code **(M3)** for emergency facility or **(DA)** for DALI/Switch DIM or **(BTC)** for Casambi Wireless Control

\*\*Example: ER2-WS-4K-WH-DA

ERITH 2 c/w DALI/Switch DIM Control

# Lina 60 R

Stylish recessed standalone or continuous system various length, colours, combinations available

- Classrooms
- Offices
- Hospitals
- Meeting Rooms
- Atriums



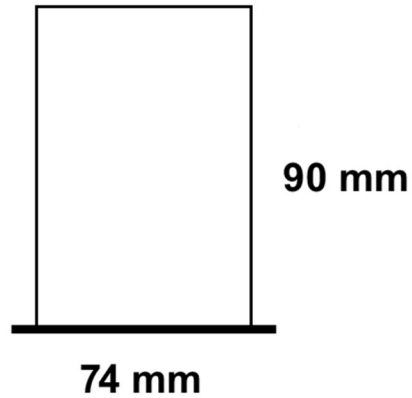
## Features

- Extruded aluminium body epoxy powder coated all RAL options available
- Stand alone & continuous
- Direct
- Micro-prism optic option
- Philips LED and driver system for optimum performance
- Premium white Ra90 LED module available

## Options

- Micro-prism optic – **(MP19)**
- Opal PMMA – **(OP)**
- Tuneable white – **(TW)**
- DALI – **(DA)**
- Casambi wireless bluetooth control **(BTC)**
- CRI 90 – **(Ra9)**
- Standard 3hr emergency – **(M3)** – Self-Testing emergency – **(STE)**
- DALI monitored emergency – **(D3)**

## Dimensions

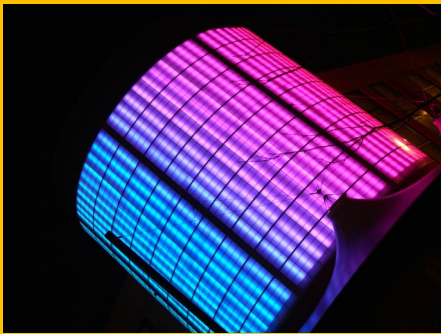


## Product Code

LINA 60 R is available as fully customisable product from a single stand-alone unit to continuous lines of light with intersections, Tee's, Elbows. LINA has the option for optics, paint colour, lumen outputs and is available trim less upon request, the product has untold capabilities.

LINA 60 R is quoted per project please consult our Sales Office with your requirements and a specific quote will be raised against your project.

# Commercial Lighting Solutions



Surface / Suspended LED, steel base, epoxy powder coated base c/w opal smooth curve diffuser & captive end caps

- Classrooms
- Offices
- Hospitals
- Meeting Rooms
- Atriums



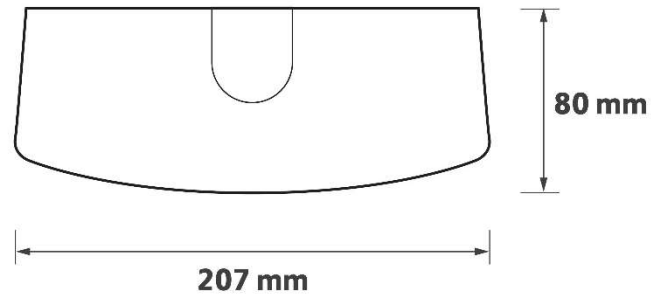
## Features

- Robust steel powder coated body
- Smooth, curved, IP44 dust free wipe clean diffuser
- Life >50,000 hours L70/B50
- Tridonic LED and driver system for optimum performance
- Colour rendering Ra80

## Options

- DALI – **(DA)**
- Casambi wireless bluetooth control - **(BTC)**
- Standard 3hr emergency – **(M3)**
- DALI monitored emergency – **(D3)**
- Suspension Kit – **(SUS-4-2M)**
- Integrated motion sensor – on/off **(SO)**
- Integrated motion sensor – on/10% dim **(SD)**

## Dimensions



**Lengths: 1200 mm / 1500 mm**

## Product Code

AME-4-19-4K-WH	Amex, 19w, 4K, 2400lm, 1200mm, white base, opal diffuser
AME-4-32-4K-WH	Amex, 32w, 4K, 3800lm, 1200mm, white base, opal diffuser
AME-4-39-4K-WH	Amex, 39w, 4K, 4700lm, 1200mm, white base, opal diffuser
AME-5-33-4K-WH	Amex, 33w, 4K, 4300lm, 1500mm, white base, opal diffuser
AME-5-42-4K-WH	Amex, 42w, 4K, 5275lm, 1500mm, white base, opal diffuser
AME-5-54-4K-WH	Amex, 54w, 4K, 6600lm, 1500mm, white base, opal diffuser

\*\* Suffix 4K to 3K for 3000 Kelvin

\*\* Example: AME-4-32-4K-WH-DA-M3 \*\*

Amex, 1200mm, 32w, 4000 Kelvin, white c/w DALI & 3hr emergency facility

- Gymnasium
- Industrial
- Distribution Centre
- Sports Hall



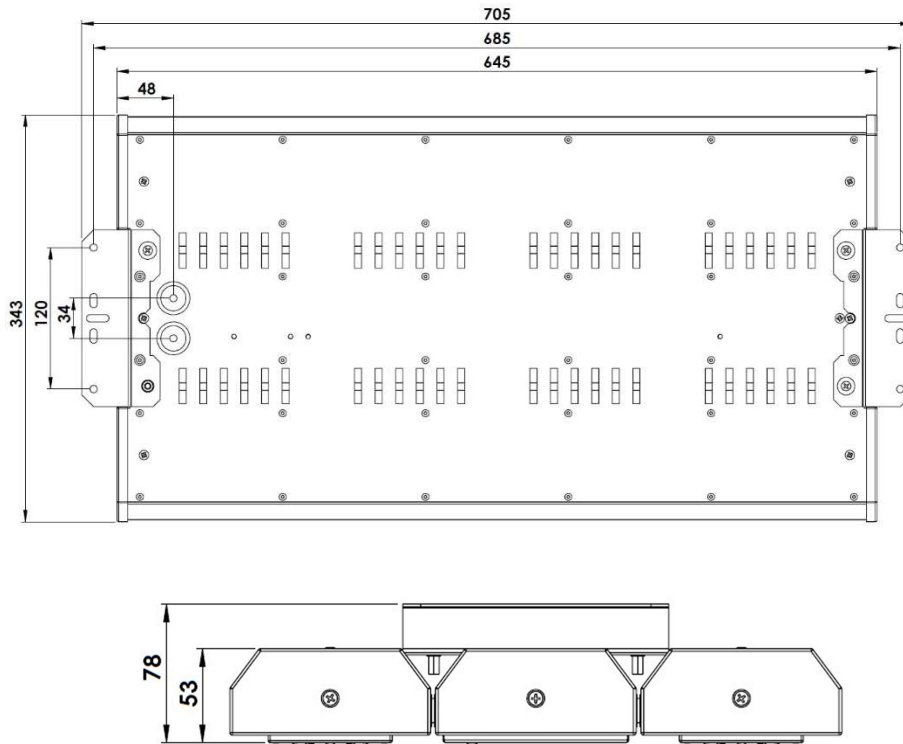
## Features

- Aluminium extruded body
- Asymmetric and Symmetric options
- Wire guard option
- Epoxy powder coated RAL9010
- IP20
- IK10

## Options

- DALI (DA)
- 3hr emergency (M3) - Self-Test emergency (STE) – DALI monitored emergency (D3)
- Casambi Wireless Control (BTC)
- Wire guard (WGW)
- Suspension Kit (SUS-2M)
- PIR Sensor (PIRD)

## Dimensions



## Product Code

ARD-70-4K-WH-L60	Ardent, 70w, 12,350lm, 4K c/w 60 degree optic
ARD-80-4K-WH-L60	Ardent, 80w, 12,891lm, 4K c/w 60 degree optic
ARD-90-4K-WH-L60	Ardent, 90w, 15,367lm, 4K c/w 60 degree optic
ARD-115-4K-WH-L60	Ardent, 115w, 18,863lm, 4K c/w 60 degree optic
ARD-135-4K-WH-L60	Ardent, 135w, 22,357lm, 4K c/w 60 degree optic
ARD-160-4K-WH-L60	Ardent, 160w, 25,649lm, 4K, c/w 60 degree optic
ARD-170-4K-WH-L60	Ardent, 170w, 28,148lm, 4K, c/w 60 degree optic

\*Suffix end of code L\*\* to optic option\*

(L40) 40° x 40° optic

(L30x65) 30° x 65° optic

(L75) 75° x 75° optic

(L90) 90° x 90° optic

Surface/Wall mounted non-corrosive c/w opal polycarbonate diffuser & stainless-steel clips

- Car Park
- Boiler Room
- Bike Shed
- Industrial
- Workshop
- Laundry



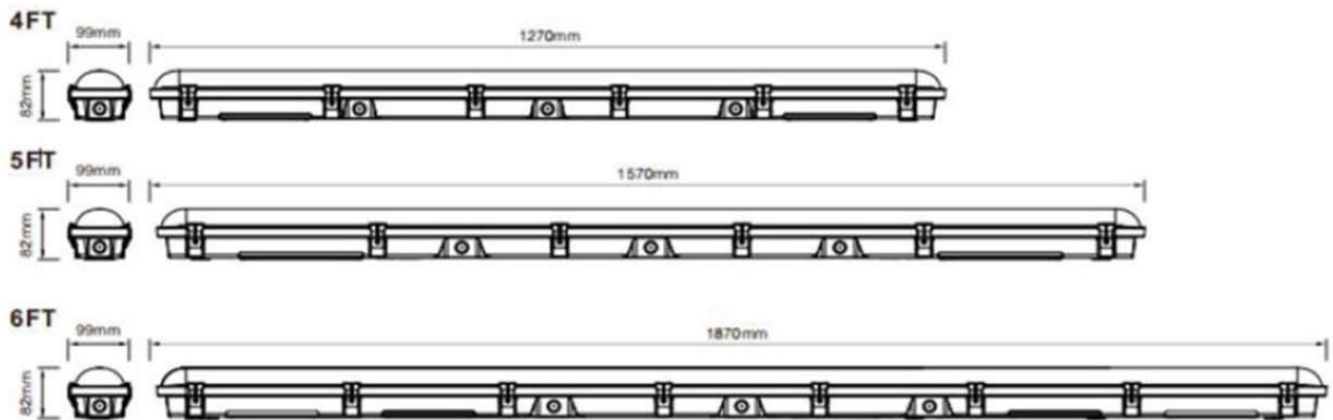
## Features

- UPVC moulded housing
- Opal UV stabilised polycarbonate diffuser
- Stainless Steel clip
- Switchable CCT & Power
- IK08
- IP65

## Options

- Integrated 3hr emergency -Standard (**M3**)
- Batten mounted PIR Sensor (**BPIR**)
- Micro-wave Sensor (**MW1**)

## Dimensions



## Product Code

ARN-36-4-CCT-65	Arrow, 1270mm, 20 – 36w, 3080 – 5400lm, IP65, switchable power & CCT
ARN-50-5-CCT-65	Arrow, 1570mm, 28 – 50w, 4280 – 7500lm, IP65, switchable power & CCT
ARN-60-6-CCT-65	Arrow, 1870mm, 34 – 60w, 5140 – 9000lm, IP65, switchable power & CCT

\*\* Suffix end of code **(M3)** for emergency facility or **(BPIR)** PIR Sensor or **(BTC)** for Casambi Wireless Control

\*\*Example: ARN-50-5-CCT-65-BPIR      Arrow up to 50w c/w Batten mounted PIR Sensor

Surface / Suspended LED, steel base, epoxy powder coated, satin opal UGR<19 optic c/w captive end caps, CCT & wattage selectable.

- Classrooms
- Offices
- Hospitals
- Meeting Rooms
- Atriums



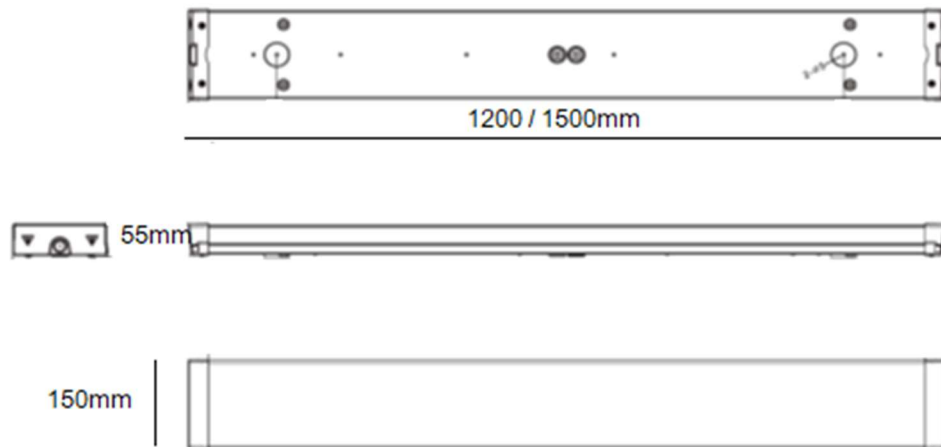
## Features

- Steel fabricated body epoxy powder coated all RAL options available
- IP44
- Philips Driver system for optimum performance
- UGR<19
- IK05

## Options

- DALI - **(DA)**
- Casambi wireless bluetooth control - **(BTC)**
- Standard 3hr emergency – **(M3)**
- DALI monitored emergency – **(D3)**
- Suspension Kit – **(SUS-2M)**

## Dimensions



## Product Code

BRG-40-SW-CCT-UGR      Borough 1200mm, 22,28,34,50w, 2750,3500,4250,5000lm, CCT 3,4,57K

BRG-50-SW-CCT-UGR      Borough 1500mm, 28.35.42.50w, 3500,4375,5250,6250lm, CCT 3,4,57K

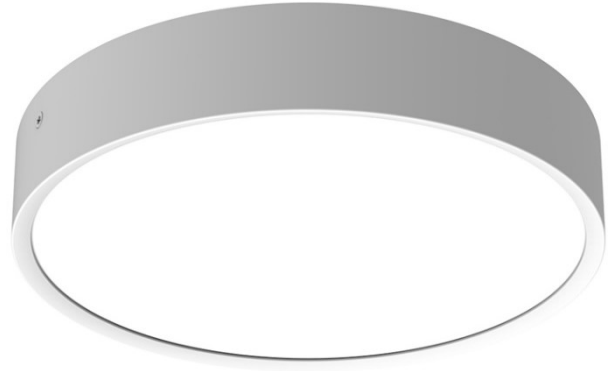
\*\* Example: BRG-50-SW-CCT-UGR-BTC

Borough CCT selectable, UGR<19 c/w Casambi wireless control

Stylish smooth contour injection moulded bulkhead anti-tamper bezel with an opal polycarbonate diffuser.

## Applications

- Corridors
- Stairwells
- Break-Out
- Receptions
- Lobbies
- Classrooms



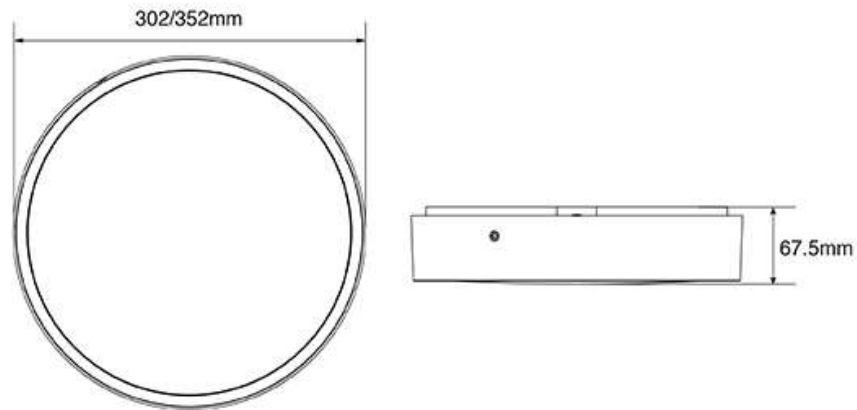
## Features

- UPVC Moulded housing
- Opal UV stabilised polycarbonate diffuser
- Anti-tamper twist lock bezel
- CCT Switchable
- IK10
- IP65

## Options

- White (**WH**) Or Black (**BK**)
- Integrated 3hr emergency -Standard (**M3**) – Self Testing (**STE**)
- Microwave Sensor (**MW1**)

## Dimensions



## Product Code

CHT-15-CCT-WH    Chant 15w, 1500lm, 302mm body, white bezel

CHT-25-CCT-WH    Chant 25w, 2500lm, 352mm body, white bezel

\*\* Suffix WH to BK for black bezel

\*\* Suffix end of code (M3) for emergency facility or (MW1) for Microwave sensor

Example: CHT-15-CCT-WH-M3-MW1

Chant c/w 3hr Emergency and Microwave sensor

Surface / Suspended LED, steel base, epoxy powder coated c/w opal diffuser & captive end caps

- Classrooms
- Offices
- Hospitals
- Meeting Rooms
- Workshop



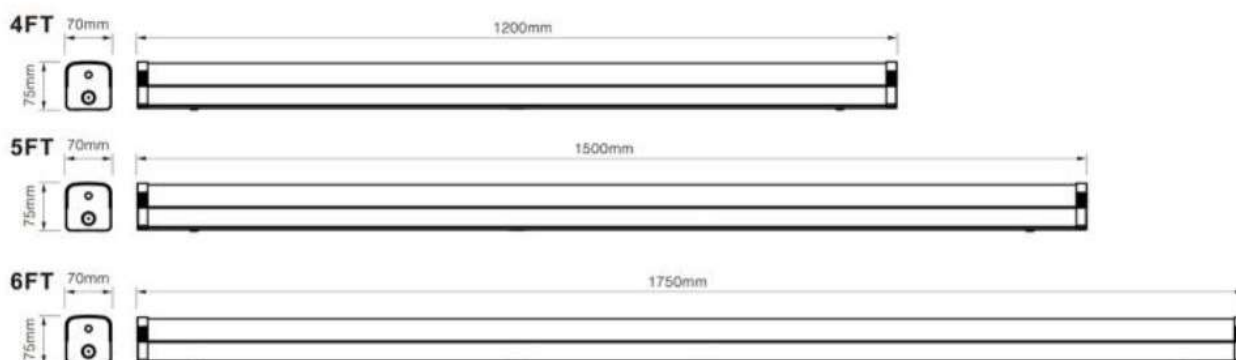
## Features

- Steel fabricated body epoxy powder coated all RAL options available
- Stand-alone
- Reeded opal diffuser
- Tridonic LED and driver system for optimum performance
- IK05

## Options

- DALI – **(DA)**
- Casambi wireless bluetooth control **(BTC)**
- Standard 3hr emergency – **(M3)**
- DALI monitored emergency – **(D3)**
- Suspension Kit – **(SUS-2M)**
- Micro-wave Sensor – **(MW1)**

## Dimensions



## Product Code

DEO-SW-CCT-4F-WH	Defoe 1200mm switchable power 22-40w, 3430-6000lm, CCT 3000-6500K
DEO-SW-CCT-5F-WH	Defoe 1500mm switchable power 34-60w, 5140-9000lm, CCT 3000-5700K
DEO-SW-CCT-6F-WH	Defoe 1800mm switchable power 49-70w, 7350-10500lm, CCT 3000-5700K

\*\* Example: DEO-SW-CCT-4F-WH-BTC\*\*

Defoe 1200mm, switchable power, selectable CCT , c/w Casambi wireless control

Surface/Wall mounted non-corrosive c/w GRP base opal polycarbonate diffuser & stainless-steel clips

- Car Park
- Boiler Room
- Bike Shed
- Industrial
- Workshop
- Laundry



## Features

- GRP moulded housing
- Opal PMMA diffuser
- Stainless Steel clip
- Switchable Power
- IK06
- IP66
- LumiLED LED's & Philips Xitanium driver

## Options

- Integrated 3hr emergency -Standard (**M3**) – DALI Monitored emergency (**D3**)
- DALI dimming (**DA**)
- Batten mounted PIR Sensor (**BPIR**)
- Micro-wave Sensor (**MW1**)

## Dimensions

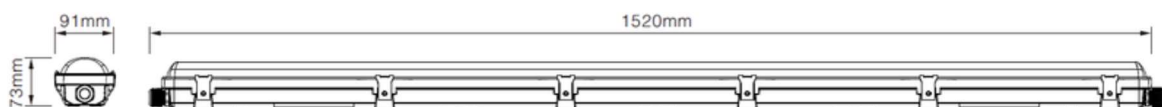
### 2FT



### 4FT



### 5FT



## Product Code

ENZ-16-2-SW-66	Enzo, 670mm, 9 – 16w, 1280 – 2240lm, IP66, switchable power
ENZ-42-4-SW-66	Enzo, 1220mm, 24 – 42w, 3600 – 6300lm, IP66, switchable power
ENZ-60-5-SW-66	Enzo, 1520mm, 34 – 60w, 5140 – 9000lm, IP66, switchable power

\*\* Suffix end of code (**M3**) for emergency facility or (**BPIR**) PIR Sensor or (**BTC**) for Casambi Wireless Control

\*\*Example: ENZ-60-5-SW-66-BPIR      Enzo up to 60w c/w Batten mounted PIR Sensor

Stylish low-profile surface or suspended stand-alone LED.

- Classrooms
- Offices
- Hospitals
- Meeting Rooms
- Atriums



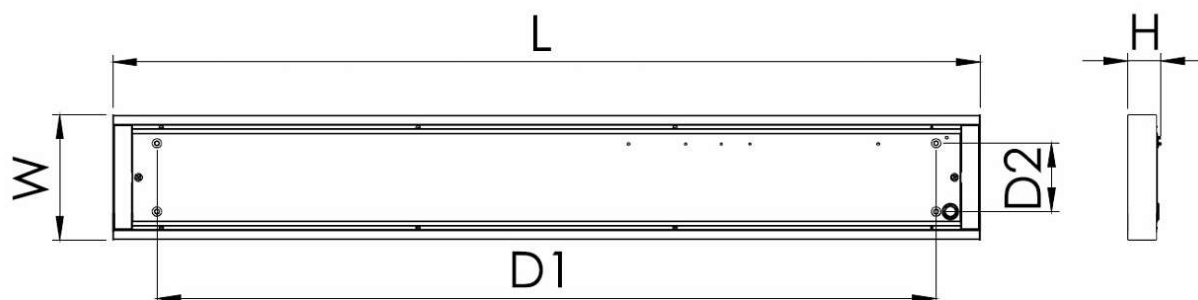
## Features

- Steel fabricated body epoxy powder coated all RAL options available
- Stand-alone Direct Or Direct/Indirect
- Opal or Micro-Prism optic option
- Vossloh LED and driver system for optimum performance
- Premium white Ra90 LED module available

## Options

- Micro-prism optic – **(MP19)**
- Opal PMMA – **(OP)**
- Tuneable white – **(TW)**
- DALI – **(DA)**
- Casambi wireless bluetooth control **(BTC)**
- CRI 90 – **(Ra9)**
- Standard 3hr emergency – **(M3)**
- DALI monitored emergency – **(D3)**
- Suspension Kit – **(SUS-2M)**

## Dimensions



L, mm	W, mm	H, mm	D1, mm	D2, mm	weight, kg
1216	176	47	1092	96	4.10
1496	176		1372		5.10

## Product Code

FZ-26-4K-WH	Frazer, 26w, 3,997lm, 4K, 1215mm, finished RAL9003
FZ-38-4K-WH	Frazer, 38w, 5,447lm, 4K, 1215mm, finished RAL9003
FZ-34-4K-WH	Frazer, 34w, 5,114lm, 4K, 1496mm, finished RAL9003
FZ-48-4K-WH	Frazer, 48w, 6,968lm, 4K, 1496mm, finished RAL9003

\*\* Suffix 4K to 3K for 3000 Kelvin

\*\* Example: FZ-38-4K-WH-DA-BTC-SUS-2M

Frazer 38w c/w 4K LED's, white body, DALI and Casambi wireless control with 2mtr suspension kit

Stylish low profile spun aluminium bulkhead c/w opal polycarbonate diffuser.

## Applications

- Corridors
- Stairwells
- Break-Out
- Receptions
- Lobbies
- Classrooms



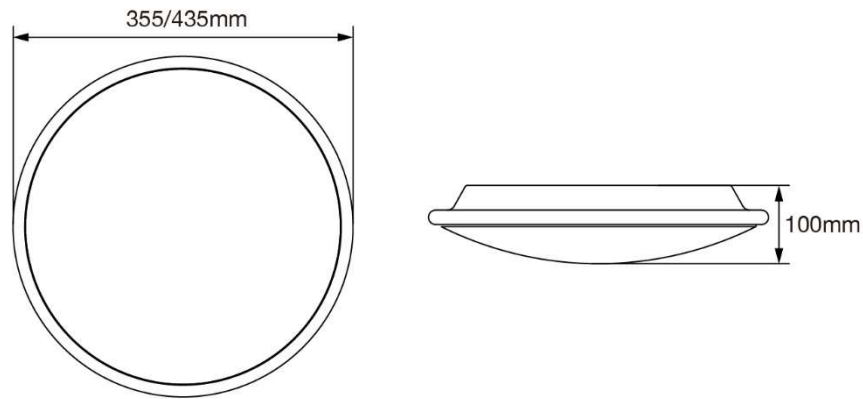
## Features

- Aluminium spun housing
- Opal UV stabilised polycarbonate diffuser
- Epoxy power coated RAL9016 as standard
- 2 CCT Switchable
- Tridonic Driver
- IP20

## Options

- Integrated 3hr emergency -Standard **(M3)** – Self Testing **(STE)**
- Microwave Sensor **(MW1)**
- Casambi Wireless Control **(BTC)**
- Custom body finishes available on request **(RAL)**

## Dimensions



## Product Code

LA-20-CCT-WH      Lancing 20w, 1680lm, 355mm body finished white.

LA-27-CCT-WH      Lancing 27w, 2750lm, 435mm body finished white.

\*\* Suffix WH to RAL for Custom body finish

\*\* Suffix end of code **(M3)** for emergency facility or **(MW1)** for Microwave sensor

Example: LA-20-CCT-WH-M3-MW1

Lancing c/w 3hr Emergency and Microwave sensor

Surface mounted decorative luminaire with steel spun bezel, Lumaxx diffuser

- Corridors
- Dormitory
- Communal Areas
- Toilets



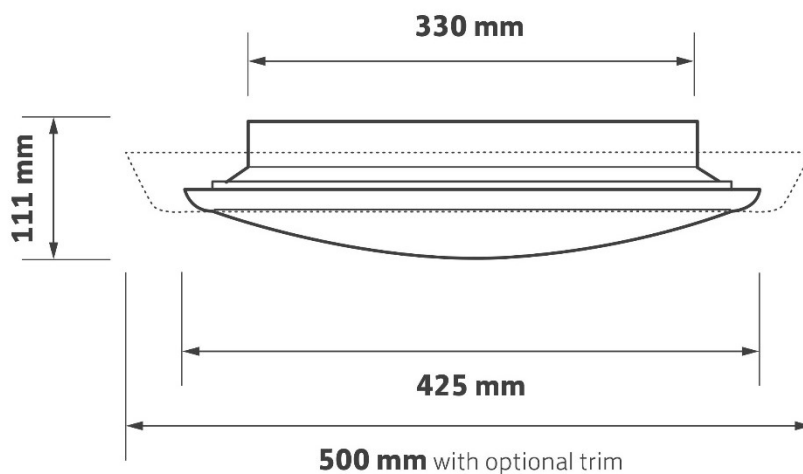
## Features

- Polycarbonate body
- Lumaxx diffuser 850° glow wire tested
- Steel Spun Bezel
- Epoxy powder coated RAL9016 (Other colour options available on request)
- IP40

## Options

- Integrated 3hr emergency -Standard (**M3**) – Self-Testing Emergency (**STE**)
- DALI Monitored Emergency (**DA3**)
- DALI (**DA**)
- Microwave Sensor (**MW1**)
- Casambi Wireless Control (**BTC**)

## Dimensions



## Product Code

LEA-13-4K-WH	Leah, 13w, 4K, 1375lm. 500mm body finished RAL9016
LEA-16-4K-WH	Leah, 16w, 4K, 2025lm, 500mm body finished RAL9016
LEA-20-4K-WH	Leah, 20w, 4K, 2750lm, 500mm body finished RAL9016

\*\* Suffix end of code **(M3)** for emergency facility or **(DA)** for DALI/Switch DIM or **(BTC)** for Casambi Wireless Control or **(MW1)** Microwave sensor

\*\*Example: LEA-13-4K-WH-MW1

Leah 13w, 1969lm, 4K, white c/w microwave sensor

A decorative modern circular ceiling / Wall mounted LED with options of body sizes.

- Corridors
- Offices
- Communal Areas
- Education
- Public Places



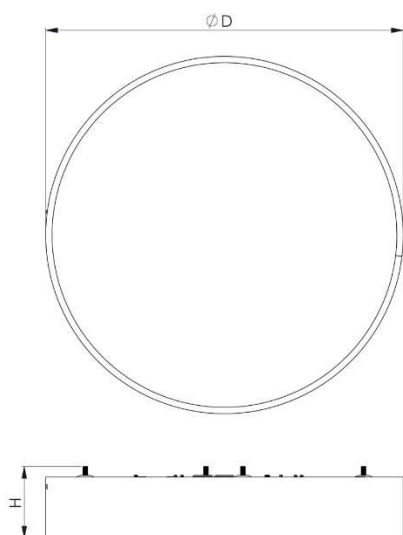
## Features

- Rolled steel body
- PMMA UV stabilized acrylic
- Epoxy powder coated RAL9003 (Other colour options available on request)
- IP40

## Options

- Integrated 3hr emergency -Standard (**M3**) – Self-Testing Emergency (**STE**)
- DALI Monitored Emergency (**DA3**)
- DALI (**DA**)
- Microwave Sensor (**MW1**)
- Casambi Wireless Control (**BTC**)
- Micro-Prism UGR<19 diffuser (**MPO**)
- Suspension kit (**SUS/2M**)

## Dimensions



D – 300 / 450 / 600 / 900mm x H - 77mm

## Product Code

RIS-20-4K-WH	Ribble, 20w, 4K, 2851lm. 300mm body finished RAL9003
RIS-25-4K-WH	Ribble, 25w, 4K, 4011lm, 450mm body finished RAL9003
RIS-36-4K-WH	Ribble, 36w, 4K, 5595lm, 450mm body finished RAL9003
RIS-38-4K-WH	Ribble, 38w, 4K, 6157lm, 600mm body finished RAL9003
RIS-52-4K-WH	Ribble, 52w, 4K, 8604lm, 600mm body, finished RAL9003
RIS-60-4K-WH	Ribble, 60w, 4K, 9821lm, 900mm body, finished RAL9003
RIS-68-4K-WH	Ribble, 68w, 4K, 11480lm, 900mm body, finished RAL9003

\*\* Suffix end of code (**M3**) for emergency facility or (**DA**) for DALI/Switch DIM or (**BTC**) for Casambi Wireless Control or (**MW1**) Microwave sensor

\*\*Example: RIS-60-4K-WH-MW1

Ribble 60w, 9821lm, 4K, white c/w microwave sensor

Surface mounted Anti-Ligature luminaire IP65, IK10

- Hospitals
- Mental Health Units
- Detention Centre



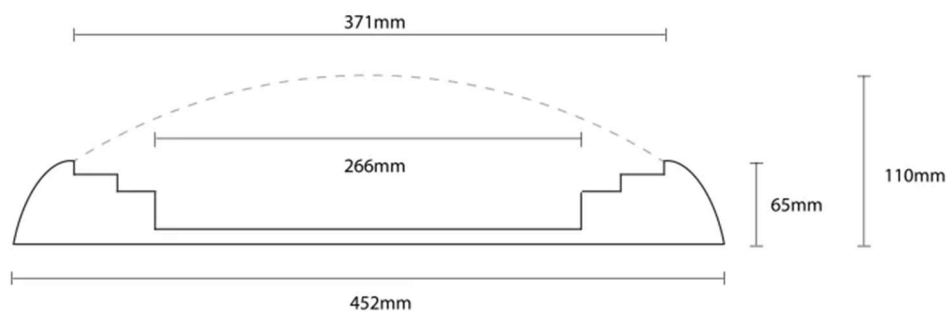
## Features

- 1.2mm Aluminium Base
- Die-Cast Aluminium bezel
- Epoxy powder coated RAL9016
- IP65
- IK10
- Lumaxx Satin Diffuser 850° Glow wire test

## Options

- Integrated 3hr emergency -Standard **(M3)** – Self-Testing Emergency **(STE)**
- DALI Monitored Emergency **(DA3)**
- DALI **(DA)**
- Microwave Sensor **(MW1)**
- Casambi Wireless Control **(BTC)**

## Dimensions



## Product Code

SA-9-4K-WH	Salus, 9w, 4K, 1390lm, 452mm body finished RAL9016
SA-13-4K-WH	Salus, 13w, 4K, 1969lm, 452mm body finished RAL9016
SA-19-4K-WH	Salus, 19w, 4K, 2733lm, 452mm body finished RAL9016
SA-25-4K-WH	Salus, 25w, 4K, 3510lm, 452mm body finished RAL9016

\*\* Suffix end of code **(M3)** for emergency facility or **(DA)** for DALI/Switch DIM or **(BTC)** for Casambi Wireless Control or **(MW1)** Microwave sensor

\*\*Example: SA-13-4K-WH-MW1

Salus 13w, 1969lm, 4K, white c/w microwave sensor

Seamless DOT free LED array tape with high CRI

- Under Cupboards
- Plinths
- Desks
- Handrails
- Coffe details



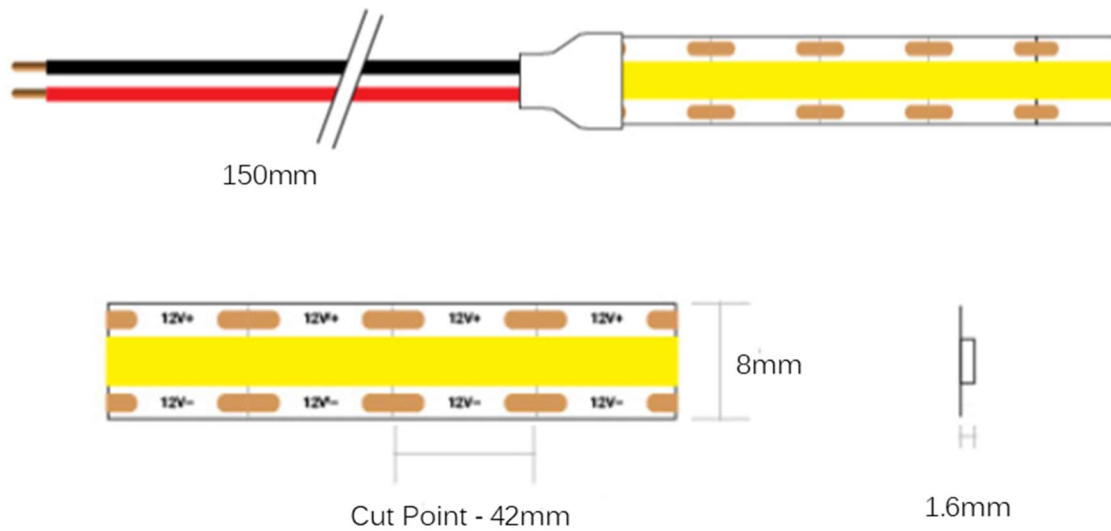
## Features

- DC 24v
- High CRI Ra >90
- IP65 & IP67 options available
- 5mtr and 10mtr reel options
- CCT, RGB & RGB-W options

## Options

- DALI - **(DA)**
- 3hr remote emergency facility - **(CV-M3)**
- Casambi Wireless Control - **(BTC)**

## Dimensions



## Product Code

SBL-0621-COB-504-X- <b>**</b>	8mm, 504 COB tape 12w/m, 1080lm/m, 24v, 180° single colour
SBL-0922-COB-526-X-10mm- <b>**</b>	10mm 528 COB tape 15w/m, 1500lm/m, 24v, 180° single colour
SBL-COB-RGB-840-DC24V	10mm RGB tape, 15w/m, 600lm/m, 24v, 180° colour change
SBL-COB-CCT-640-DC24V	10mm CCT tape, 8w/m, 800lm/m, 24v, tri-colour 2700-6500K
SBL-COB-RGBW-896-DC24V	12mm, RGBW, 16w/m, 32.5lm/m, 24v, colour change + White

Suffix **\*\*** with CCT required:      27K (2700)      3K (3000)      4K (4000)      6K (6500)

Surface mounted linear with steel base, moulded end caps, hinged opal polycarbonate diffuser

- Classrooms
- Canteens
- Offices
- Hospitals
- Workshop
- Retail



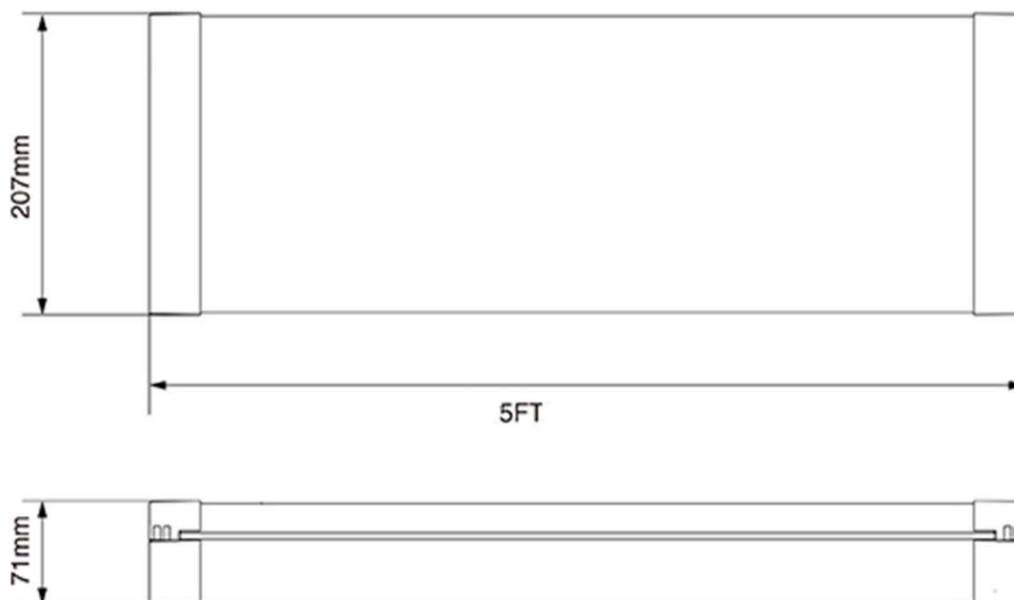
## Features

- Steel Base
- Hinged opal UV stabilised polycarbonate diffuser
- CCT Switchable
- Wattage Selectable
- IP20

## Options

- Integrated 3hr emergency -Standard **(M3)** – Self-Testing Emergency **(STE)**
- Microwave Sensor **(MW1)**
- Casambi Wireless Control **(BTC)**

## Dimensions



## Product Code

STM-WS-CCT-WH

Stamford, wattage selectable with switchable CCT

- 25w	200mA	3500lm	- 31w	250mA	4450lm
- 37w	300mA	5530lm	- 45w	350mA	6200lm

\*\* Suffix end of code (**M3**) for emergency facility or (**MW1**) for Microwave Sensor or (**BTC**) for Casambi Wireless Control

Example: STM-WS-CCT-WH-BTC

Stamford c/w Casambi Wireless control

Surface / Suspended LED, steel base, epoxy powder coated c/w micro-prism optic UGR<19 & captive end caps

- Classrooms
- Offices
- Hospitals
- Meeting Rooms
- Atriums



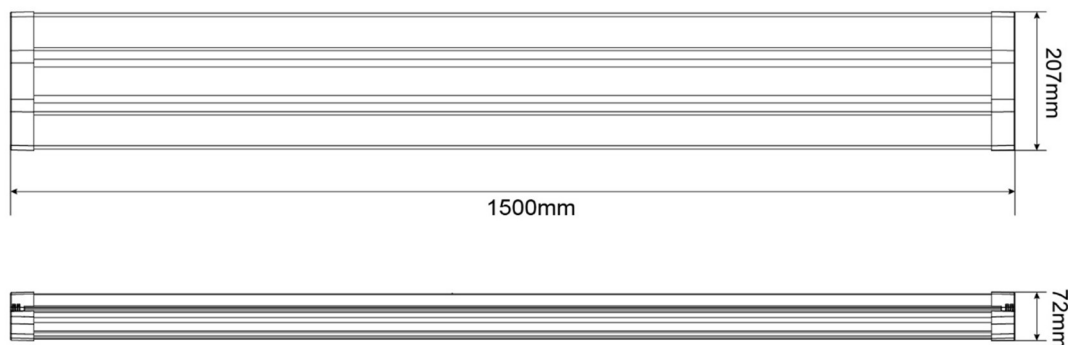
## Features

- Steel fabricated body epoxy powder coated all RAL options available
- Stand-alone
- Micro-Prism optic UGR<19
- Tridonic LED and driver system for optimum performance
- IK05

## Options

- Opal PMMA – **(OP)**
- Tuneable white – **(TW)**
- DALI – **(DA)**
- Casambi wireless bluetooth control **(BTC)**
- Standard 3hr emergency – **(M3)**
- DALI monitored emergency – **(D3)**
- Suspension Kit – **(SUS-2M)**

## Dimensions



## Product Code

STM-UGR-SW-4K-WH

Stamford, Switchable power 27 - 45w, 3500 – 6500lm, 4K

\*\* Suffix 4K to 3K for 3000 Kelvin

\*\* Example: STM-UGR-SW-4K-WH-BTC

Stamford switchable power, 4000K, c/w Casambi wireless control

Surface/Wall mounted non-corrosive c/w opal polycarbonate diffuser & stainless steel clips

- Car Park
- Boiler Room
- Bike Shed
- Industrial
- Workshop
- Laundry



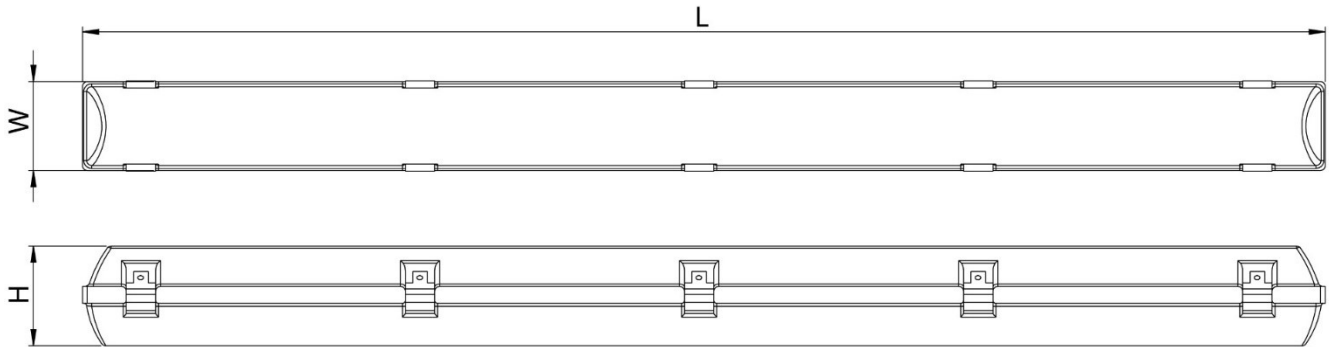
## Features

- UPVC moulded housing
- Opal UV stabilised polycarbonate diffuser
- Stainless Steel clip
- IK10 – BSEN 2262
- IP65

## Options

- Integrated 3hr emergency -Standard **(M3)** - Self Testing Emergency **(STE)**
- DALI Monitor Emergency **(D3)**
- DALI **(DA)**
- Batten mounted PIR Sensor **(BPIR)**
- Mirco-wave Sensor **(MW1)**

## Dimensions



Dimensions – 'W' Single 96mm – Twin 146mm x 'H' 111mm

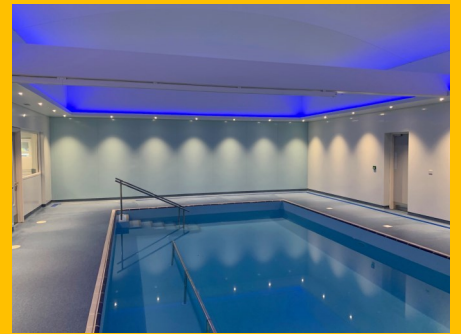
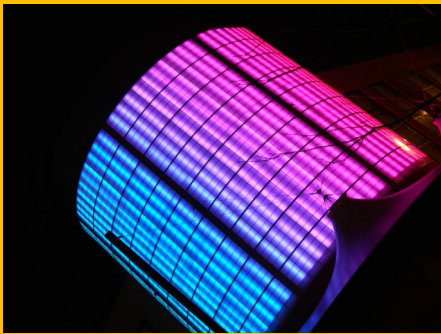
## Product Code

VN-15-4K-65-OP	VENTNOR, 15w, 2,268lm, 662mm body, opal diffuser
VN-18-4K-65-OP	VENTNOR, 18w, 2,674lm, 662mm body, opal diffuser
VN-26-4K-65-OP	VENTNOR, 26w, 3,742lm, 1275mm body, opal diffuser
VN-36-4K-65-OP	VENTNOR, 36w, 5,348lm, 1275mm body, opal diffuser
VN-31-4K-65-OP	VENTNOR, 31w, 4,676lm, 1575mm body, opal diffuser
VN-45-4K-65-OP	VENTNOR, 45w, 6,685lm, 1575mm body, opal diffuser
VN-59-4K-65-OP	VENTNOR, 59w, 8,666lm, 1575mm body, opal diffuser

\*\* Suffix end of code (**M3**) for emergency facility or (**BPIR**) PIR Sensor or (**BTC**) for Casambi Wireless Control

\*\*Example: VN-31-4K-65-BPIR      Ventnor 31w c/w Batten mounted PIR Sensor

# Commercial Lighting Solutions



A decorative modern suspended LED high bay c/w PC reflector, option of output, CRI & optics

- Corridors
- Offices
- Communal Areas
- Education
- Public Places
- Retail



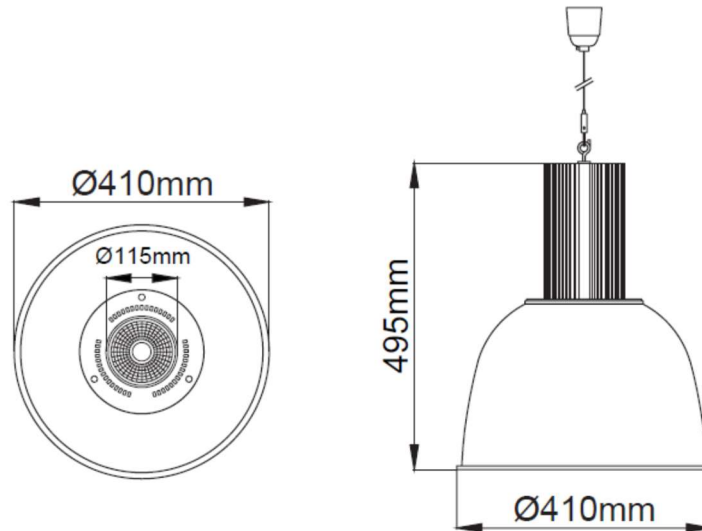
## Features

- Aluminium gear housing
- PMMA UV stabilized polycarbonate reflector
- Epoxy powder coated RAL9010 gear housing (Other colour options available on request)
- IP40
- 2M suspension wire
- Reflector optic option (12°,20°,30°,40°,60°)

## Options

- Integrated 3hr emergency -Standard **(M3)** – Self-Testing Emergency **(STE)**
- DALI Monitored Emergency **(DA3)**
- DALI **(DA)**
- Casambi Wireless Control **(BTC)**
- CRI>90 **(R9)**
- 3000 Kelvin **(3K)**

## Dimensions



## Product Code

ATL-31-4K-30-WH	Atolye 31w, 4K, 30-degree optic, 3,512lm, finished RAL9010
ATL-35-4K-30-WH	Atolye 35w, 4K, 30-degree optic, 3,977lm, finished RAL9010
ATL-42-4K-30-WH	Atolye 42w, 4K, 30-degree optic, 4,772lm, finished RAL9010
ATL-48-4K-30-WH	Atolye 48w, 4K, 30-degree, optic, 5,455lm, finished RAL9010

\*\* Suffix end of code **(M3)** for emergency facility or **(DA)** for DALI/Switch DIM or **(BTC)** for Casambi Wireless Control

\*\* Suffix 30 to require beam angle \*\*

\*\* Suffix 4K to 3K for 3000 Kelvin \*\*

\*\* Example: ATL42-3K-12-WH

Atolye 42w, 3000K, 12 degree optic, finished RAL9010 \*\*

A decorative modern globe pendant LED with options of sphere sizes.

- Corridors
- Offices
- Communal Areas
- Education
- Public Places



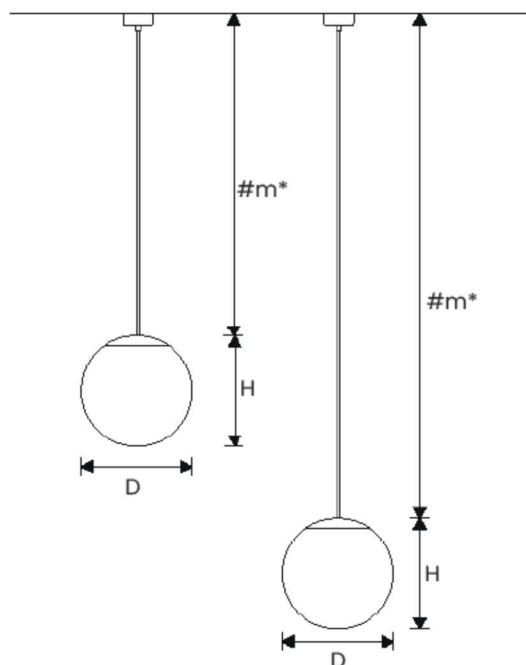
## Features

- Steel powder coated ceiling cup
- PMMA UV stabilized acrylic globe
- Epoxy powder coated cap RAL9005 (Other colour options available on request)
- IP40

## Options

- Integrated 3hr emergency -Standard (**M3**) – Self-Testing Emergency (**STE**)
- DALI (**DA**)
- Microwave Sensor (**MW1**)
- Casambi Wireless Control (**BTC**)
- Custom paint colour (**RAL**)

## Dimensions



D = 300/400mm – M = 2mtr as standard

## Product Code

### GL3 (300mmø)

GL03-11-4K-OP-SUS-2M Globo, 11w, 4K, 1600lm, 300 dia, finished RAL9005, 2mtr suspension

GL03-13-4K-OP-SUS-2M Globo, 13w, 4K, 1900lm, 300 dia, finished RAL9005, 2mtr suspension

GL03-15-4K-OP-SUS-2M Globo, 16w, 4K, 2500lm, 300 dia, finished RAL9005, 2mtr suspension

### GL4 (400mmø)

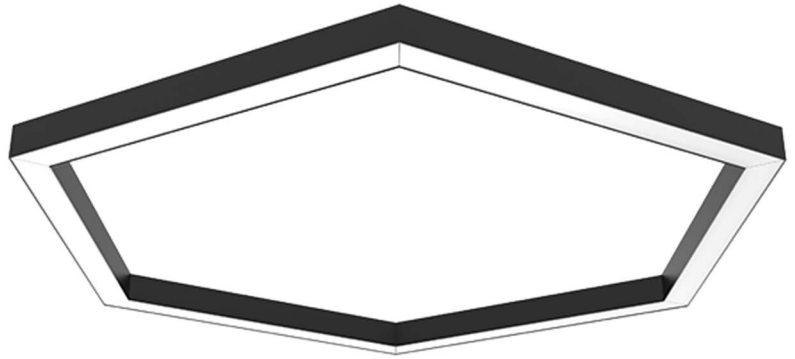
GL04-20-4K-OP-SUS-2M Globo, 20w, 4K, 2900lm, 400 dia, finished RAL9005, 2mtr suspension

GL04-25-4K-OP-SUS-2M Globo, 25w, 4K, 3500lm, 400 dia, finished RAL9005, 2mtr suspension

GL04-28-4K-OP-SUS-2M Globo, 28w, 4K, 3800lm, 400 dia, finished RAL9005, 2mtr suspension

Stylish suspended standalone Hexagon available with various RAL colour & wattage options.

- Classrooms
- Offices
- Hospitals
- Meeting Rooms
- Atriums
- Break-Out



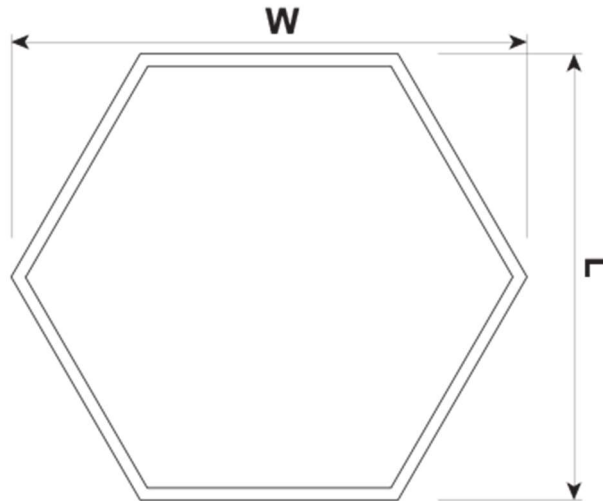
## Features

- Extruded aluminium body epoxy powder coated all RAL options available
- Stand alone
- Direct light
- Philips or Tridonic LED and driver system for optimum performance
- Premium white Ra90 LED module available
- CRI >80

## Options

- Micro-prism optic – (MP19H)
- Opal PMMA – (OP)
- Tuneable white – (TW)
- DALI – (DA)
- Casambi wireless blue tooth control (BTC)
- CRI 90 – (Ra9)
- Standard 3hr emergency – (M3)
- DALI monitored emergency – (D3)

## Dimensions



## Product Code

Hexx is a fully customisable product with direct light, opal lens as standard or option of micro-prism (MP19H), with option of body colour and size, all RAL available, various wattage options LO – Low output HO – High out, please consult our sales office with your requirements for a specific project quotation.

# LEDLine 60 DI

Suspended direct/Indirect pendant available in 2 lengths and body colour options, switchable power & selectable 5 CCT

- Offices
- Board rooms
- Showrooms
- Retail



## Features

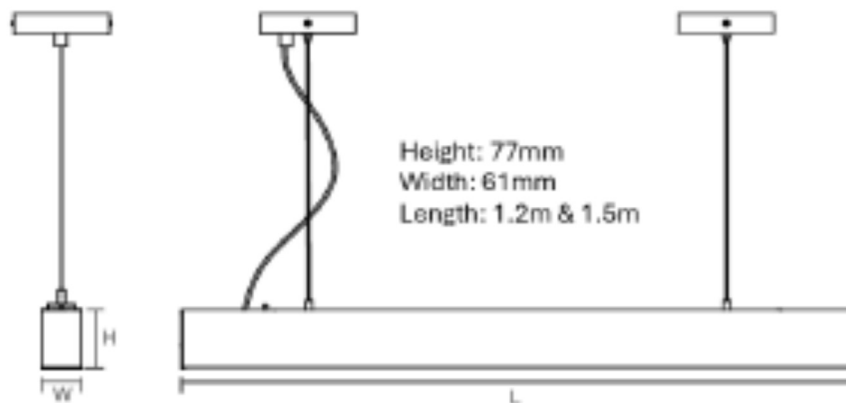
- Features 50° office LED as standard
- Branded LED's and driver system inside
- RAL9003 white as standard with black and grey options
- Available in 1.2m and 1.5m lengths

## Options

- Integrated 3hr emergency -Standard (**M3**) - Self Testing Emergency (**STE**)
- DALI Monitor Emergency (**D3**)
- DALI (**DA**)
- Wall brackets (**WB**)
- Casambi wireless control (**BTC**)
- Suspension Kit (**SUS-2-2M**)
- Grey body – (**GR**)
- Black body – (**BK**)

# LEDLine 60 DI

## Dimensions



## Product Code

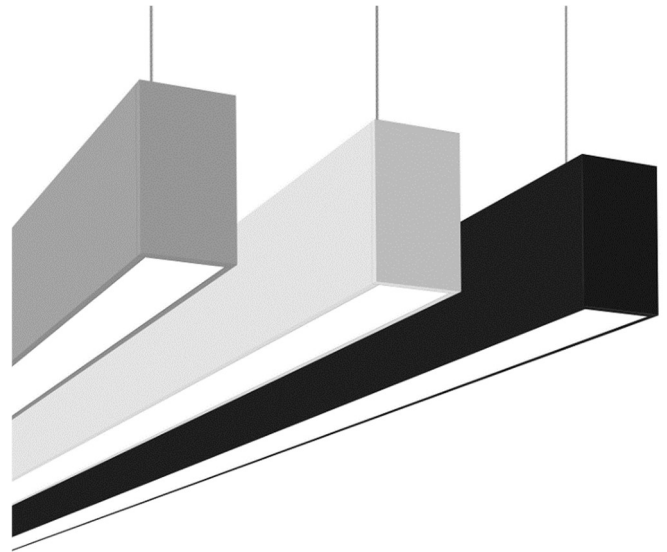
LDL-4F-CCT-DI-WH	LEDLine 30-50w, 5CCT 2700-5000K, 3600lm to 6000lm, 1200mm, white
LDL-5F-CCT-DI-WH	LEDLine 30-50w, 5CCT 2700-5000K, 3600lm to 6000lm, 1500mm, white

\*\* Suffix end of code (**M3**) for emergency facility or (**BTC**) for Casambi Wireless Control\*\*

\*\*Example: LDL-4F-CCT-DI-WH-BTC      LEDLine 60 1200mm 30-50w, 5CCT,white c/w Casambi\*\*

Stylish surface or suspended stand alone or continuous direct or direct/indirect LED system.

- Classrooms
- Offices
- Hospitals
- Meeting Rooms
- Atriums



## Features

- Extruded aluminium body epoxy powder coated all RAL options available
- Stand alone or continuous mounted
- Direct and Direct / Indirect option
- Philips LED and driver system for optimum performance
- Premium white Ra90 LED module available

## Options

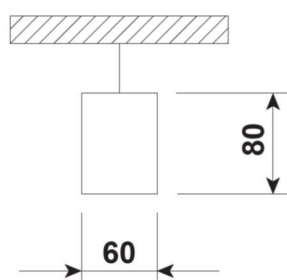
- Micro-prism optic – **(MP19)**
- Opal PMMA – **(OP)**
- Tuneable white – **(TW)**
- DALI – **(DA)**
- Casambi wireless bluetooth control **(BTC)**
- CRI 90 – **(Ra9)**
- Standard 3hr emergency – **(M3)**
- DALI monitored emergency – **(D3)**

## Dimensions

### Continuous mounting



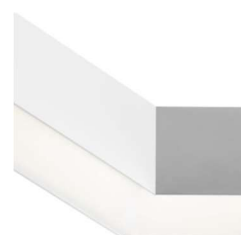
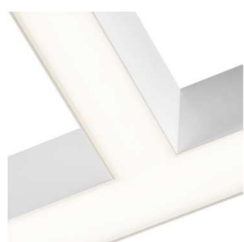
### Stand alone



## Product Code

Lina 60 is available as a fully customisable products from a single stand-alone unit to continuous lines of light with Intersections, Tee's, elbows. Lina has the option of optics, paint colours and lumen outputs and is available suspended or surface mounted the product has untold capabilities.

LINA 60 is priced per project please consult our Sales Office with your requirements and a specific quote will be raised against your project.



# Lina 60 DLO

Ultra low-glare high performance surface/suspended linear LED, UGR <14 130lm/tcw, option of body colours & lens.

- Offices
- Board rooms
- Showrooms
- Retail



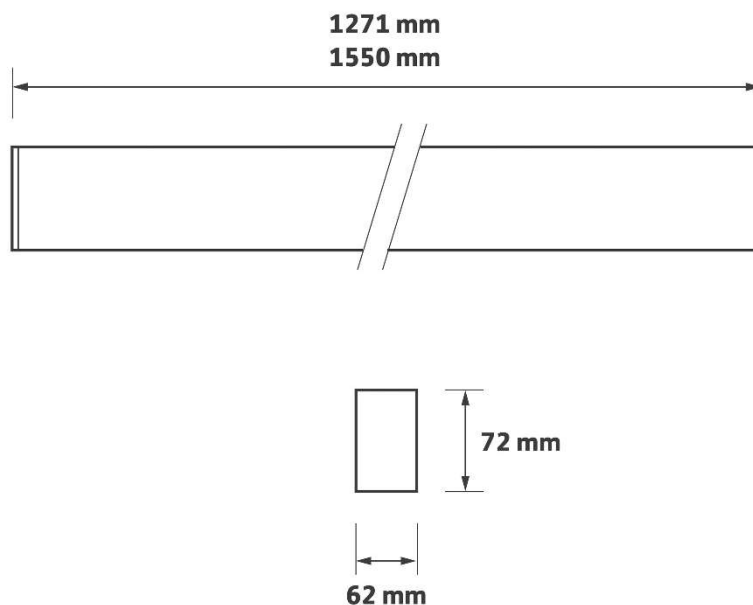
## Features

- Premium matt black dark-light baffle as standard
- Features 50° office LED as standard
- Tridonic LED and driver system inside
- RAL9003 white as standard with black and grey options
- Available in 1.2m and 1.5m lengths

## Options

- Integrated 3hr emergency -Standard (**M3**) - Self Testing Emergency (**STE**)
- DALI Monitor Emergency (**D3**)
- DALI (**DA**)
- Wide Beam 80° (**WB**)
- White soft light baffle (**WSB**)
- Casambi wireless control (**BTC**)
- Suspension Kit (**SUS-2-2M**)
- Grey body – (**GR**)
- Black body – (**BK**)

## Dimensions



## Product Code

LDL-14-4K-DL-GR-1.2-LO	Lina 60 DLO, 14w, 1,925lm, 1271mm grey body, low output
LDL-20-4K-DL-GR-1.2	Lina 60 DLO, 20w, 2,850lm, 1271mm grey body standard output
LDL-27-4K-DL-GR-1.2-HO	Lina 60 DLO, 27w, 3,750lm, 1271mm grey body High output
LDL-17-4K-DL-GR-1.5-LO	Lina 60 DLO, 17w, 2,400lm, 1559mm grey body, low output
LDL-25-4K-DL-GR-1.5	Lina 60 DLO, 25w, 3,575lm, 1559mm grey body, standard output
LDL-33-4K-DL-GR-1.5-HO	Lina 60 DLO, 33w, 4,675lm, 1559mm grey body, high output

\*\* Suffix end of code **(M3)** for emergency facility or **(BTC)** for Casambi Wireless Control\*\*

\*\*Example: LDL-20-4K-DL-GR-1.2-BTC Lina 60 DLO, 20w, 4K, 1271mm body, c/w Casambi\*\*

Ceiling/suspended mounted decorative bulkhead available in 2 body sizes 400 & 600mm have the option of rigid rod or wire suspension, CCT & wattage selectable.

## Applications

- Corridors
- Stairwells
- Breakout
- Library



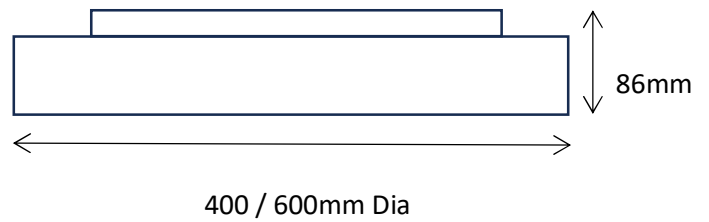
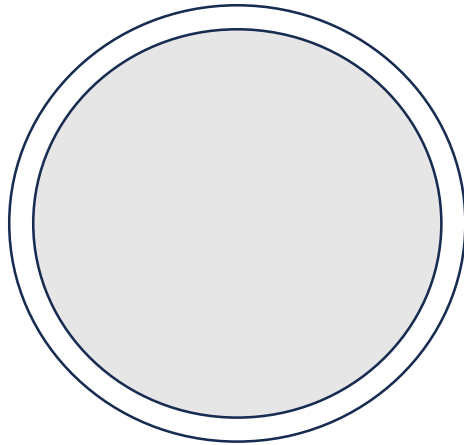
## Features

- Aluminium housing epoxy powder coated white
- Opal UV stabilised diffuser
- 850° Glow wire
- IK06
- IP40
- Branded LED board and Osram driver

## Options

- Integrated 3hr emergency -Standard (**M3**) – Self Testing (**STE**)
- DALI (**DA**)
- Casambi Wireless Control (**BTC**)
- Wire Suspension (**SUS-1M**)
- Rigid Rod suspension (**RM-1M**)

## Dimensions



## Product Code

OR-40-CCT-SW-WH	Oreo 400mm dia CCT switchable, wattage selectable 25-40w 3,750 – 4400lm
OR-60-CCT-SW-WH	Oreo 600mm dia CCT switchable, wattage selectable 52-60w 5,320 – 6870lm

\*\* Suffix end of code **(M3)** for emergency facility or **(DA)** for DALI dimming

Example: OR-60-CCT-SW-WH-DA-M3

Oreo 600mm c/w DALI dimming & 3 hour maintained emergency

A decorative modern square pendant mounted LED with options of body sizes.

- Receptions
- Offices
- Communal Areas
- Education
- Public Places



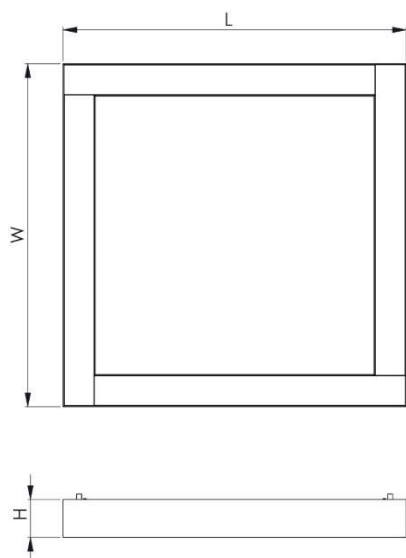
## Features

- Extruded aluminium section
- PMMA UV stabilized opal acrylic diffuser
- Epoxy powder coated RAL9003 (Other colour options available on request)
- IP40

## Options

- Integrated 3hr emergency -Standard (**M3**) – Self-Testing Emergency (**STE**)
- DALI Monitored Emergency (**DA3**)
- DALI (**DA**)
- Casambi Wireless Control (**BTC**)
- Micro-Prism UGR<19 diffuser (**MPO**)
- Suspension kit (**SUS/2M**)

## Dimensions



L – 600 / 900 / 1200 x W – 600 / 900 / 1200 x H - 68mm

## Product Code

OUS-24-4K-WH	Ouse, 24w, 4K, 2,807lm. 600mm x 600mm body finished RAL9003
OUS-34-4K-WH	Ouse, 34w, 4K, 3,825lm. 600mm x 600mm body finished RAL9003
OUS-50-4K-WH	Ouse, 50w, 4K, 5,258lm. 600mm x 600mm body finished RAL9003
OUS-36-4K-WH	Ouse, 36w, 4K, 3,765lm. 900mm x 900mm body finished RAL9003
OUS-52-4K-WH	Ouse, 52w, 4K, 5,124lm. 900mm x 900mm body finished RAL9003
OUS-77-4K-WH	Ouse, 77w, 4K, 6,949lm. 900mm x 900mm body finished RAL9003
OUS-48-4K-WH	Ouse, 48w, 4K, 5,020lm. 1200mm x 1200mm body finished RAL9003
OUS-70-4K-WH	Ouse, 70w, 4K, 6,832lm. 1200mm x 1200mm body finished RAL9003
OUS-103-4K-WH	Ouse, 103w, 4K, 9,265lm. 1200mm x 1200mm body finished RAL9003

\*\* Suffix end of code **(M3)** for emergency facility or **(DA)** for DALI/Switch DIM or **(BTC)** for Casambi Wireless Control

\*\*Example: OUS-52-4K-WH-DA

Ouse 52w, 5,124lm, 4K, white c/w DALI

A decorative modern circular pendant mounted LED with options of body sizes.

- Corridors
- Offices
- Communal Areas
- Education
- Public Places



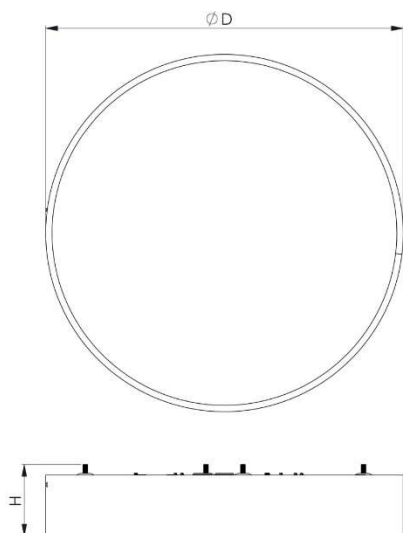
## Features

- Rolled steel body
- PMMA UV stabilized acrylic
- Epoxy powder coated RAL9003 (Other colour options available on request)
- IP40

## Options

- Integrated 3hr emergency -Standard (**M3**) – Self-Testing Emergency (**STE**)
- DALI Monitored Emergency (**DA3**)
- DALI (**DA**)
- Microwave Sensor (**MW1**)
- Casambi Wireless Control (**BTC**)
- Micro-Prism UGR<19 diffuser (**MPO**)
- Suspension kit (**SUS/2M**)

## Dimensions



D – 300 / 450 / 600 / 900mm x H - 77mm

## Product Code

RIS-20-4K-WH	Ribble, 20w, 4K, 2851lm. 300mm body finished RAL9003
RIS-25-4K-WH	Ribble, 25w, 4K, 4011lm, 450mm body finished RAL9003
RIS-36-4K-WH	Ribble, 36w, 4K, 5595lm, 450mm body finished RAL9003
RIS-38-4K-WH	Ribble, 38w, 4K, 6157lm, 600mm body finished RAL9003
RIS-52-4K-WH	Ribble, 52w, 4K, 8604lm, 600mm body, finished RAL9003
RIS-60-4K-WH	Ribble, 60w, 4K, 9821lm, 900mm body, finished RAL9003
RIS-68-4K-WH	Ribble, 68w, 4K, 11480lm, 900mm body, finished RAL9003

\*\* Suffix end of code (**M3**) for emergency facility or (**DA**) for DALI/Switch DIM or (**BTC**) for Casambi Wireless Control or (**MW1**) Microwave sensor

\*\*Example: RIS-60-4K-WH-MW1

Ribble 60w, 9821lm, 4K, white c/w microwave sensor

# Skyler Pro

High performance highbay available in two sizes with selectable outputs to suit different applications and installation heights, with an optional plug and play PIR

- Factory
- Aircraft Hanger
- Warehouses



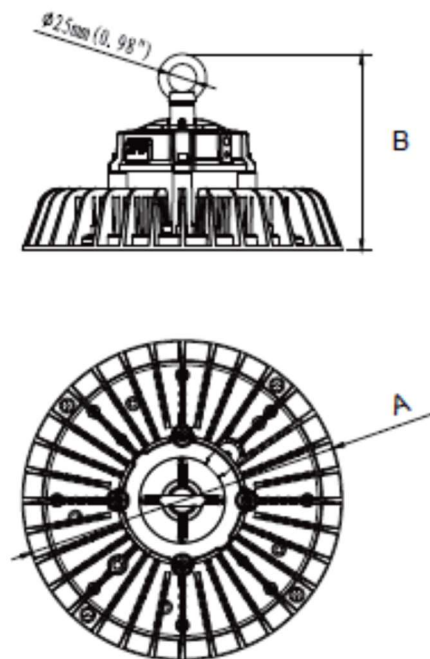
## Features

- Die-Cast aluminium body
- Polycarbonate diffuser
- Epoxy powder coated RAL9005
- IP65
- IK08

## Options

- 3hr Emergency Facility (**M3**)
- Custom RAL paint finish (**RAL**)
- PIR (**PIRD**)
- Hand Held Programmer (**PIR-PRM**)

## Dimensions



Dimensions: 65-90-110w - 'A' 240mm x 'B' 161mm

90-120-150w - 'A' 280mm x 'B' 171mm

## Product Code

SK-65-4K-BK	Skyler – 65w, 11,700lm, 4K, finished RAL9005
SK-90-4K-BK	Skyler – 90w, 16,200lm, 4K, finished RAL9905
SK-110-4K-BK	Skyler – 110w, 19,800lm, 4K, finished RAL9005
SK-120-4K-BK	Skyler – 120w, 21,600lm, 4K, finished RAL9005
SK-150-4K-BK	Skyler – 150w, 27,000lm, 4K, finished RAL9005

\*\* Suffix end of code with option required\*\*

\*\* Example – SK-110-4K-BK-PIR-PIRD      Skyler 110w c/w plug in PIR sensor module

A decorative modern circular polo pendant mounted LED with options of body sizes.

- Corridors
- Offices
- Communal Areas
- Education
- Public Places



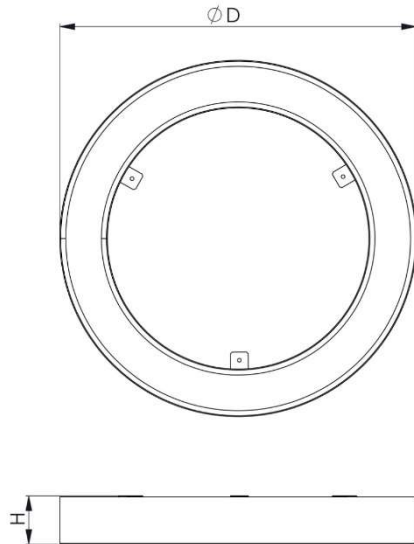
## Features

- Rolled steel body
- PMMA UV stabilized acrylic
- Epoxy powder coated RAL9003 (Other colour options available on request)
- IP40

## Options

- Integrated 3hr emergency -Standard (**M3**) – Self-Testing Emergency (**STE**)
- DALI Monitored Emergency (**DA3**)
- DALI (**DA**)
- Casambi Wireless Control (**BTC**)
- Micro-Prism UGR<19 diffuser (**MPO**)
- Suspension kit (**SUS/2M**)

## Dimensions



D – 600 / 900 / 1200 / 1600mm x H - 80mm

## Product Code

TRS-17-4K-WH	Trinity, 17w, 4K, 2,014lm. 600mm, body finished RAL9003
TRS-24-4K-WH	Trinity, 24w, 4K, 2,744lm. 600mm, body finished RAL9003
TRS-35-4K-WH	Trinity, 35w, 4K, 3,772lm. 600mm, body finished RAL9003
TRS-27-4K-WH	Trinity, 27w, 4K, 3,295lm. 900mm, body finished RAL9003
TRS-38-4K-WH	Trinity, 38w, 4K, 4,491lm. 900mm, body finished RAL9003
TRS-55-4K-WH	Trinity, 55w, 4K, 6,172lm. 900mm, body finished RAL9003
TRS-35-4K-WH	Trinity, 35w, 4K, 4,394lm. 1200mm, body finished RAL9003
TRS-50-4K-WH	Trinity, 50w, 4K, 5,987lm. 1200mm, body finished RAL9003
TRS-73-4K-WH	Trinity, 73w, 4K, 8,231lm. 1200mm, body finished RAL9003
TRS-49-4K-WH	Trinity, 49w, 4K, 6,225lm. 1600mm, body finished RAL9003
TRS-70-4K-WH	Trinity, 70w, 4K, 8,482lm. 1600mm, body finished RAL9003
TRS-103-4K-WH	Trinity, 103w, 4K, 11,660lm. 1600mm, body finished RAL9003

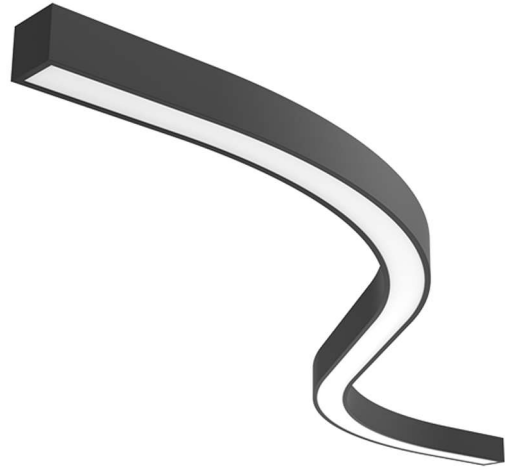
\*\* Suffix end of code (**M3**) for emergency facility or (**DA**) for DALI/Switch DIM or (**BTC**) for Casambi Wireless Control or (**MW1**) Microwave sensor

\*\*Example: TRS-38-4K-WH-BTC

Trinity 38w, 4,191lm, 4K, white c/w Casambi

Stylish suspended standalone direct LED available with various RAL colour & wattage options.

- Classrooms
- Offices
- Hospitals
- Meeting Rooms
- Atriums



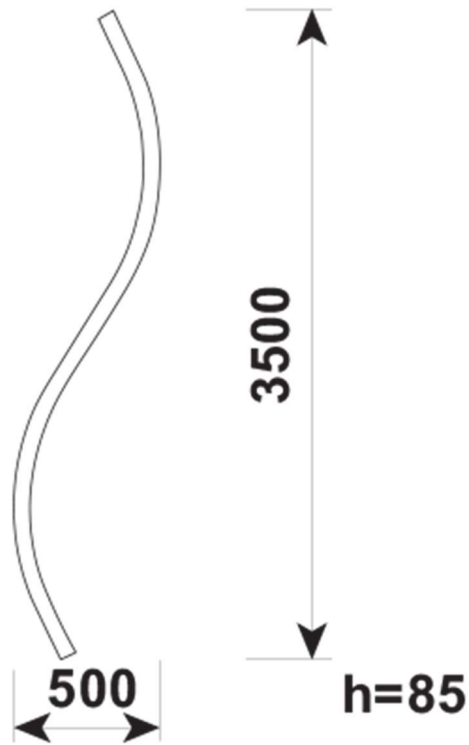
## Features

- Extruded aluminium body epoxy powder coated all RAL options available
- Stand alone
- Direct
- Philips or Tridonic LED and driver system for optimum performance
- Premium white Ra90 LED module available
- CRI >80

## Options

- Micro-prism optic – **(MP19)**
- Opal PMMA – **(OP)**
- Tuneable white – **(TW)**
- DALI – **(DA)**
- Casambi wireless Bluetooth control **(BTC)**
- CRI 90 – **(Ra9)**
- Standard 3hr emergency – **(M3)**
- DALI monitored emergency – **(D3)**

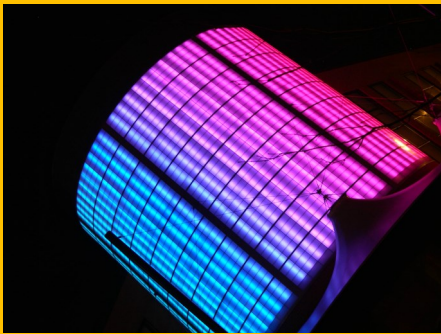
## Dimensions



## Product Code

Worm is a fully customisable product with direct light, opal lens as standard or option of micro-prism (MP19), with option of body colour all RAL available, various wattage options LO – Low output HO – High out, please consult our sales office with your requirements for a specific project quotation.

# Commercial Lighting Solutions



- Meeting Rooms
- Gallery
- Schools
- Theatre
- Display



## Features

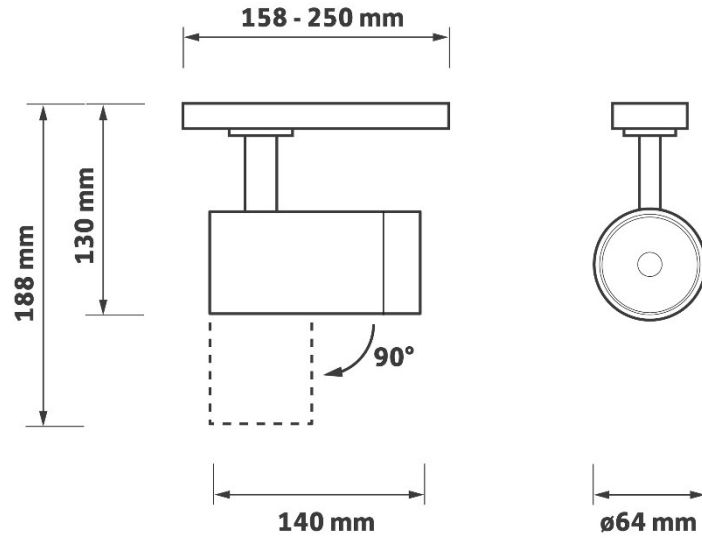
- A professional minimalist LED track mounted spot light
- Swivel and tilt adjustment for added flexibility
- High colour rendering option
- Medium beam reflector (40°) as standard, other beam options available 18°, 24°, 50°
- Compatible with Global Trac, Stucchi and Eutrac
- DALI & wireless dimming option available
- Life >55,000 hours (L90)

## Options

- Black body (BK)
- DALI (DA)
- 18° Narrow Beam (SNB)
- 24° Wide Beam (NB)
- 50° Wide Beam (WB)
- High CRI (/9)
- DALI (DA)
- Casambi wireless (CBU)
- Asymmetric Snoot (ASY)
- Barn Door (BD)

\*\*Suffix end of code with required accessory\*\*

## Dimensions



## Product Code

AVN-1500-4K-WH

Avon, 11w, 1,550lm, 4K, finished white, medium beam

AVN-1800-4K-WH

Avon, 14w, 1,875lm, 4K, finished white, medium beam

AVN-2400-4K-WH

Avon, 20w, 2,425lm, 4K, finished white, medium beam

AVN-2800-4K-WH

Avon, 26w, 2,800lm, 4K finished white, medium beam

\*\* Suffix 4K to 3K for 3000 Kelvin \*\*

## Accessories



Asymmetric Shoot



Barn Door

# C130-T

- Meeting Rooms
- Point of Display
- Gallery
- Schools



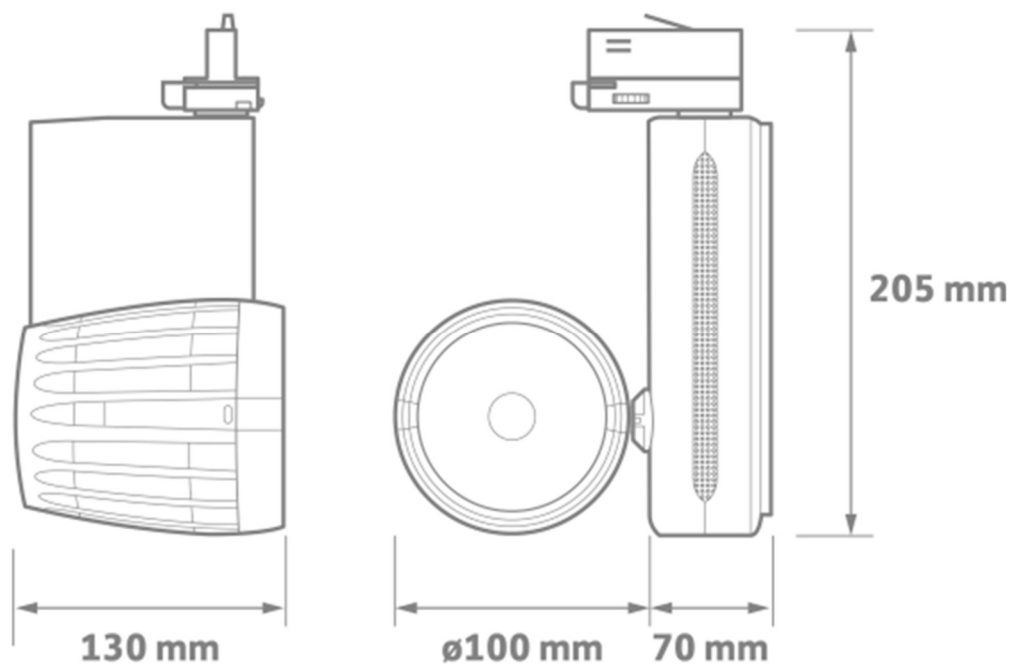
## Features

- High performance, high output, LED track spotlight
- 40° multi-faceted reflector as standard
- Highly efficient passive heat sink
- RAL 9016 white with RAL9007 grey heat sink as standard
- Compatible with Global Trac, Stucchi and Eutrac systems
- DALI dimming option
- Life >55,000 hours (L80/F10)

## Options

- Black body, grey heat sink **(BKGY)**
- SwitchDIM, DALI or DSI **(ECO)**
- 25° Narrow Beam **(NB)**
- 60° Wide Beam **(WB)**
- Barn Doors **(BD)**
- Snoot **(SN)**

## Dimensions



## Product Code

C130T-1100-4K-WH	CAPRI 130T, 11.5w, 1250lm, 4K, finished white/grey
C130T-1900-4K-WH	CAPRI 130T, 19.5w, 1925lm, 4K, finished white/grey
C130T-2600-4K-WH	CAPRI 130T, 27.0w, 2600lm, 4K, finished white/grey
C130T-3700-4K-WH	CAPRI 130T, 43.5w, 3725lm, 4K, finished white/grey

\*\* Suffix 4K to 3K FOR 3000 Kelvin

Example: C130T-1100-4K-WH-ECO

Capri 130T, 1100lm, 4K, finished white/grey c/w DALI dimming

- Meeting Rooms
- Point of Display
- Gallery
- Schools



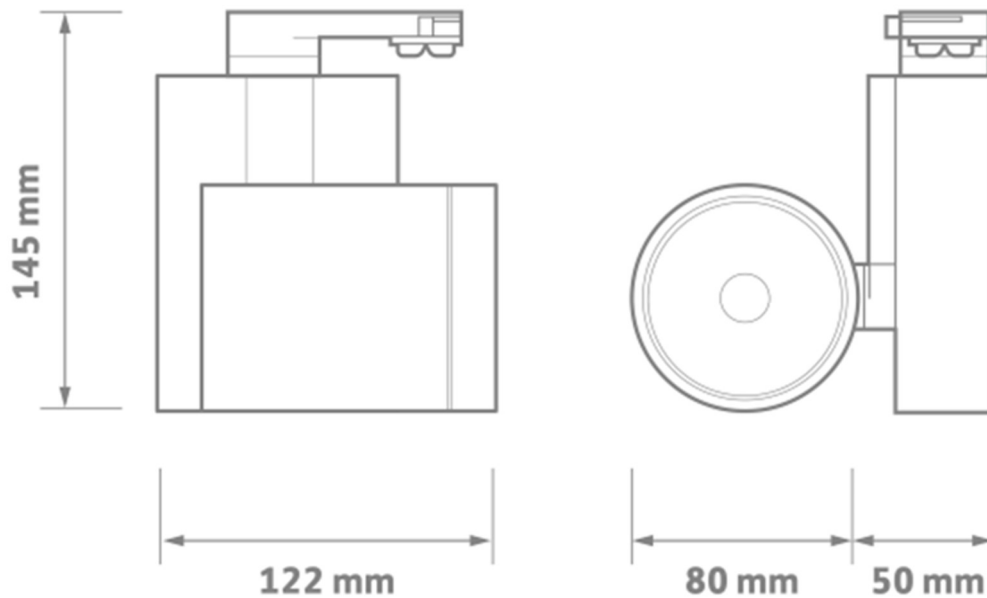
## Features

- A contemporary spotlight with vertical gear housing
- Swivel and tilt adjustment for added flexibility
- High colour rendering option
- Medium beam reflector (25.6°) as standard, other beam options available
- Compatible with Global Trac, Stucchi and Eutrac
- DALI dimming option
- Life >55,000 hours (L80/F10)

## Options

- Black body (BK)
- DALI (DA)
- 25° Narrow Beam (NB)
- 60° Wide Beam (WB)
- High colour rendering (/9)
- Excite 100K driver (TOP)

## Dimensions



## Product Code

KN-1100-4K-WH

KENNETT, 10w, 1175lm, 4K, finished white

KN-2000-4K-WH

KENNETT, 20w, 2075lm, 4K, finished white

\*\* Suffix 4K to 3K FOR 3000 Kelvin

Example: KN-1100-4K-WH-DA

Kennett, 1100lm, 4K, finished white c/w DALI dimming



## Features

- Surface or wire suspended mounted lighting track system
- Based on the Euro standard Plus platform
- Suitable for use with Global Trac adaptors
- Three circuit and DALI compatible
- Available in black or white

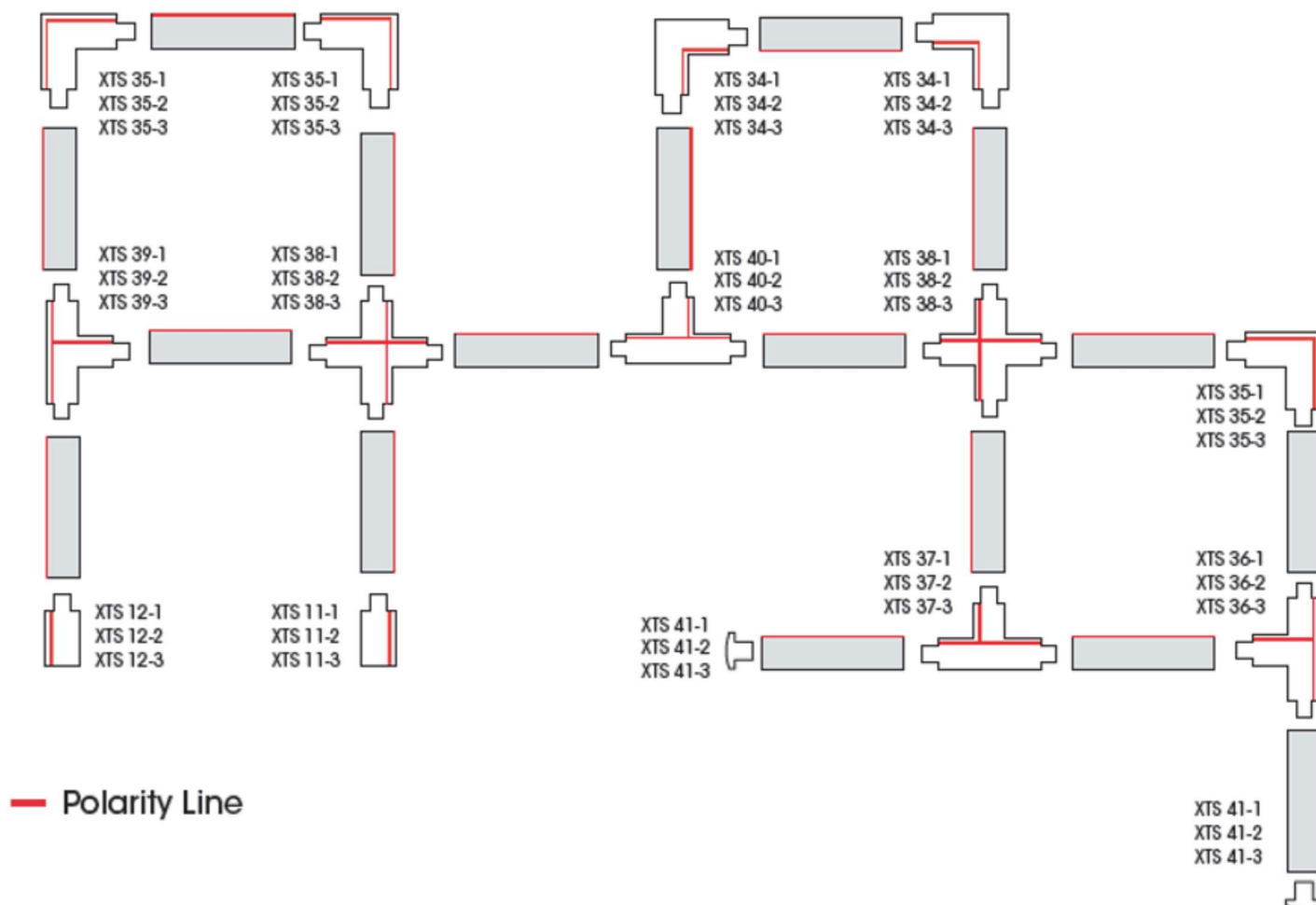
## Accessories



## Product Code

XTS4100-*	3C 1m track length	XTS39-*	3C track T coupler (left)
XTS-4200-*	3C 2m track length	XTS38-*	3C track cross coupler
XTS11-*	3C track power supply (left)	XTS35-*	3C track corner connector EXT
XTS12-*	3C track power supply (right)	XTS34-*	3C track corner connector INT
XTS41-*	3C track end cap	XTS23-*	3C track flexible coupler
XTS21-*	3C track inline coupler	SKB12-*	3C track suspension clamp
XTS36-*	3C track T coupler (right)	SKB34-1	3C track suspension kit

\*\* Suffix Code with -2 for black -3 for white \*\*





T: 01323 729337 Or 01323 430047

E: [sales@aldlightingsolution.co.uk](mailto:sales@aldlightingsolution.co.uk) - W: [aldlightingsolutions.co.uk](http://aldlightingsolutions.co.uk)

A: Unit 10 North Crescent Ind Est, Diplock's Way, Hailsham, East Sussex, BN27 3JF