

Alpha Pro



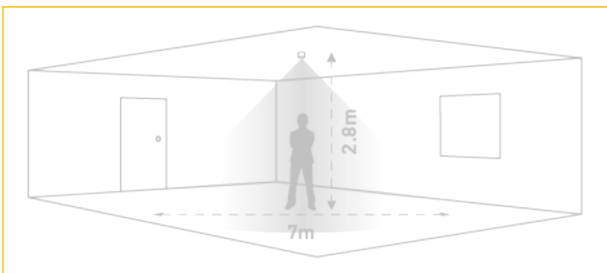
KEY FEATURES

- Low profile design
- Pluggable
- Self contained unit
- Infrared programmable

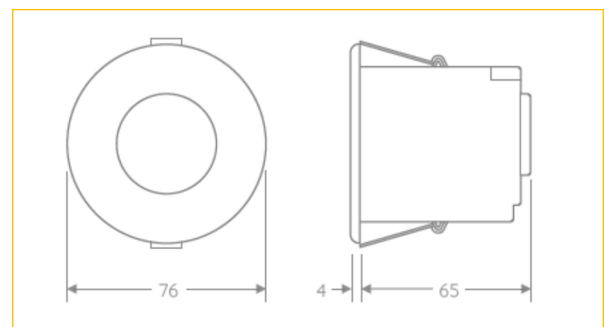
TECHNICAL DATA

- Control method DSI/DALI
- Control up to 20 No Drivers
- Up to 10A loading
- Supply voltage 230 VAC +/- 10%
- IP40 rated
- Cut out 64mm

DETECTION AREA



DIMENSIONS



PRODUCT CODE	DESCRIPTION
AL-DD-PRO	RECESSED DALI PRESENCE DETECTOR



Alpha Pro

Wiring Diagram

