

Wall / Ceiling mounted die-cast aluminium bulkhead, IK10, IK08, opal diffuser, Stainless steel fixings

- Building perimeter
- Balconies
- Canopy
- Car Parks



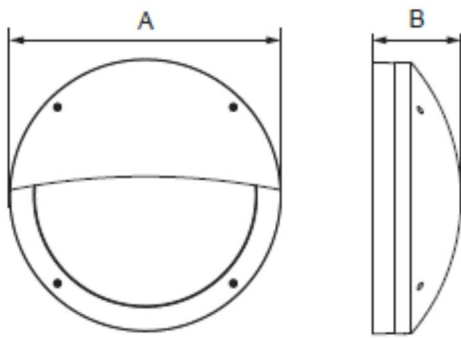
Features

- Die-Cast aluminium base & cover
- Polycarbonate diffuser
- Epoxy powder coated RAL9005
- IP65
- IK08

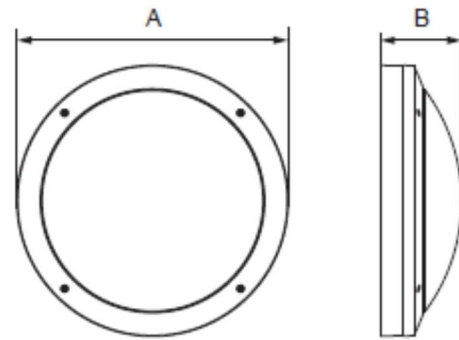
Options

- Integrated 3hr emergency -Standard **(M3)**
- Self - Testing Emergency **(STE)**
- Micro-wave sensor **(MW1)**
- Photo-cell **(PC)**
- DALI Dimming **(DA)**
- Custom RAL paint finish **(RAL)**

Dimensions



362mm x 118mm



362mm x 108mm

Product Code

FLH-14-4K-BK	FusiLED, 14w, Eyelid 650lm, IP65, IK10, finished RAL9005
FLO-14-4K-BK	FusiLED 14w, Open face 950lm, IP65, IK10, finished RAL9005

** Suffix end of code with option required**

** Example – FLH-14-4K-BK-M3 FusiLED 14w, Eyelid c/w 3hr emergency facility.