

Recessed backlit UGR<19 LED panel suitable for exposed tee 15/24mm

- Schools
- Colleges
- Hospitals
- Offices
- Boardrooms



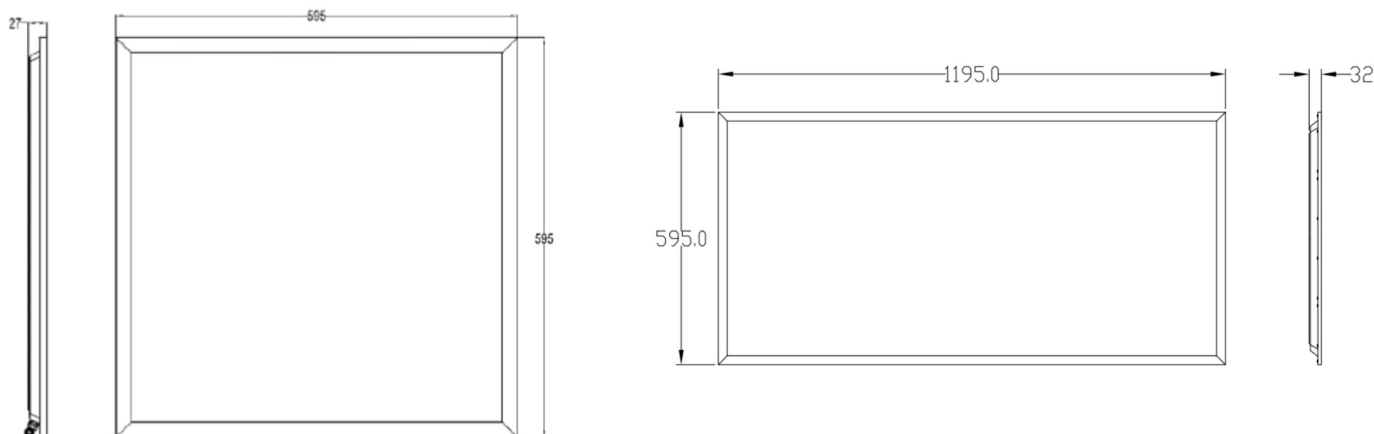
Features

- Steel Base
- Die-Cast Aluminium bezel
- Epoxy powder coated RAL9016
- Wattage Selectable
- IP20
- Opal Satin Diffuser 650° Glow wire test

Options

- Integrated 3hr emergency -Standard **(M3)** – Self-Testing Emergency **(STE)**
- DALI **(DA)**
- Casambi Wireless Control **(BTC)**

Dimensions



Product Code

DP-WS-4K-WH

DELTA Pro, wattage selectable between 20w – 40w

DP-60-4K-UGR-WH

DELTA Pro, 1195 x 595mm, 60w, 6000lm

- 20w	500mA	2000lm	- 25w	620mA	2500lm
- 30w	750mA	3000lm	- 36w	900mA	3600lm
- 40w	1000mA	4000lm			

** Suffix end of code (**M3**) for emergency facility or (**DA**) for DALI/Switch DIM or (**BTC**) for Casambi Wireless Control

**Example: DP-WS-4K-WH-DA

DELTA Pro c/w DALI/Switch DIM Control