

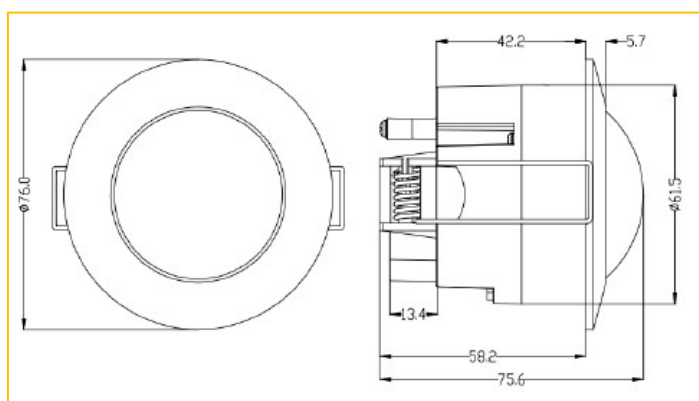


Alpha recessed IP20 rated on/off PIR sensor, 8m detection pattern adjustable time & Lux settings

TECHNICAL DATA

Rated Load	1200w LED
Time Delay	Min. 10+3sec / Max. 15+2 min
Ambient Light	<3-2000lux (Adjustable)
Detection Distance	Max. 6M (Ta=25)
Detection Range	360°
Installation Height	2.2 - 4m

DIMENSIONS



PRODUCT CODE	DESCRIPTION
AL/B/PIR/WH	ALPHA RECESSED PIR DETECTOR

