

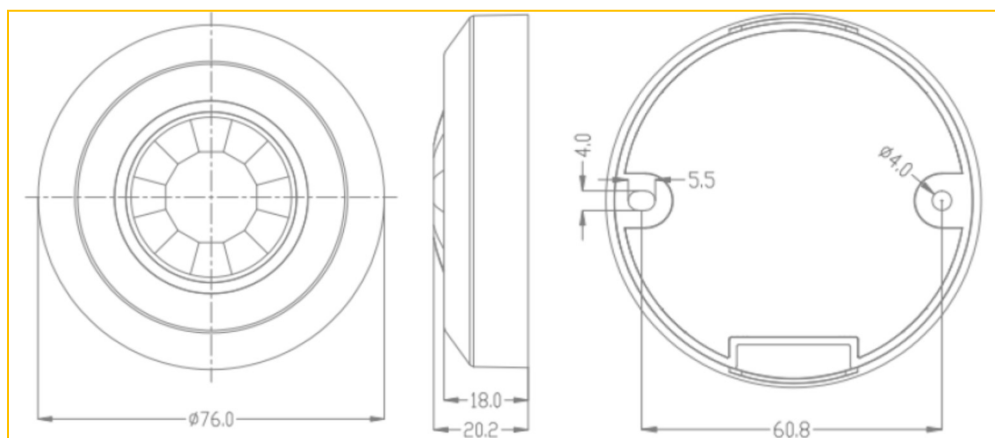
Alpha

Surface PIR Detector



Alpha surface IP20 rated on/off PIR sensor, 8m detection pattern adjustable time & Lux settings

DIMENSIONS



TECHNICAL DATA

Rated Load	200w LED
Time Delay	Min. 10+3sec / Max. 7+2 min
Ambient Light	<3-2000lux (Adjustable)
Detection Distance	Max. 8M (Ta=25)
Detection Range	360°
Installation Height	2.2 - 4m

PRODUCT CODE	DESCRIPTION
ALS/PIR/WH	ALPHA SURFACE PIR DETECTOR

