



## APPLICATIONS

- Vets
- Hospital
- Surgery
- Laboratory

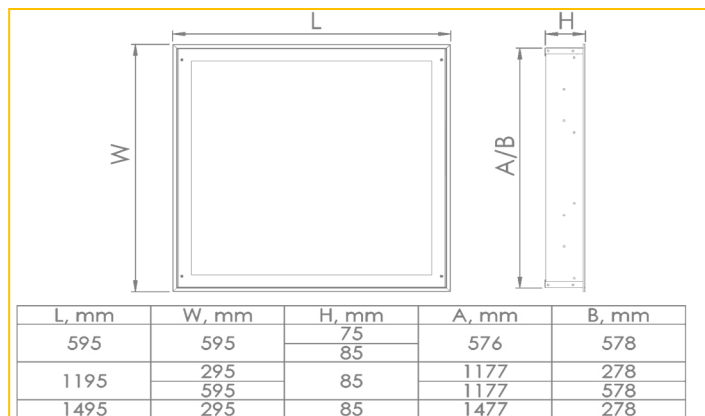
## CONSTRUCTION

- Fabricated steel body epoxy powder coated
- Fabricated steel frame with wishbone clips
- Silicone gaskets
- Satin diffuser
- Stainless fixings

## TECHNICAL DETAILS

- CRI>80
- CCT 3000K, 4000K, 5000K
- Suitable for exposed Tee ceiling

## DIMENSIONS



PRODUCT CODE	DESCRIPTION
CLN/26/4K/65	600 X 600, 26W, 4K, 3,322LM, IP65
CLN/33/4K/65	600 X 600, 33W, 4K, 4,332LM, IP65
CLN/34/4K/65	1200 X 300, 34W, 4K, 4,429LM, IP65
CLN/49/4K/65	1200 X 300, 49W, 4K, 6,137LM, IP65
CLN/42/4K/65	1500 X 300, 42W, 4K, 5,537LM, IP65
CLN/60/4K/65	1500 X 300, 60W, 4K, 7,671LM, IP65

OPTIONS	DESCRIPTION
/DALI	ADDRESSABLE DIMMING
/M3	3HR EMERGENCY
/D3	3HR DALI MONITORED EMERGENCY
/BTC	CASAMBI WIRELESS CONTROL



Ordering Format: Product Code / Option

Example: CLN/26/4K/65/DALI