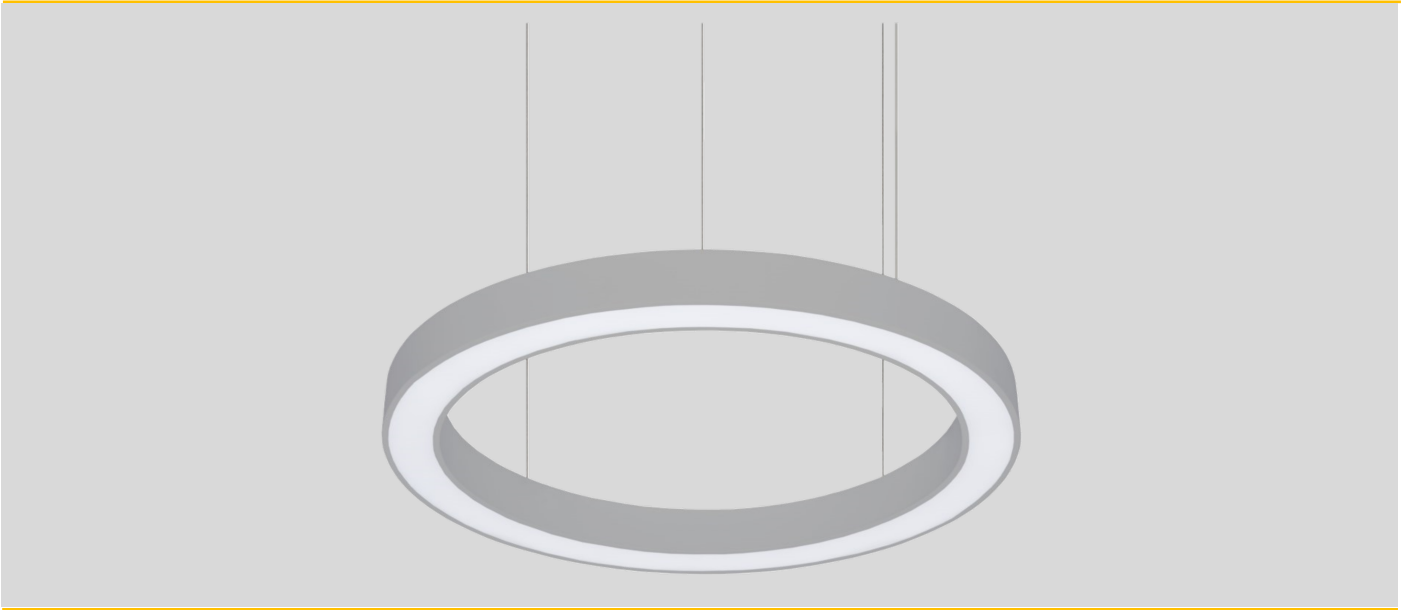


Trinity



APPLICATIONS

- Reception
- Atrium
- Core Areas

CONSTRUCTION

- Fabricated aluminium body epoxy powder coated
- Opal PMMA diffuser
- Body colour options BK, GR, WH

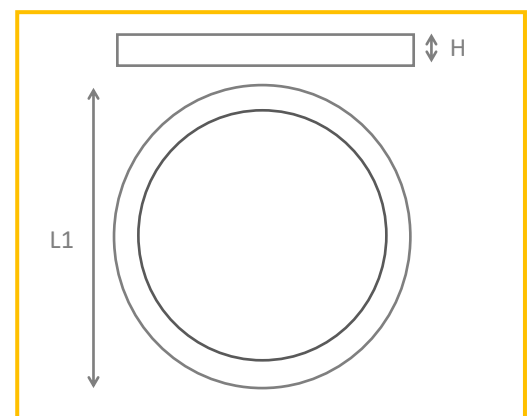
TECHNICAL DETAILS

- Various Wattages
- CRI>80
- CCT Options 3000K, 4000K
- Suspension kit 2 mtr as standard

ORDER CODE	DESCRIPTION
TR/17/4K/WH	TRINITY 17W 2014LM 4000K WHITE BODY
TR/24/4K/WH	TRINITY 24W 2744LM 4000K WHITE BODY
TR/35/4K/WH	TRINITY 35W 3772LM 4000K WHITE BODY
TR/27/4K/WH	TRINITY 27W 3295LM 4000K WHITE BODY
TR/38/4K/WH	TRINITY 38W 4491LM 4000K WHITE BODY
TR/55/4K/WH	TRINITY 55W 6173LM 4000K WHITE BODY
TR/35/4K/WH	TRINITY 35W 4394LM 4000K WHITE BODY
TR/50/4K/WH	TRINITY 50W 5987LM 4000K WHITE BODY
TR/73/4K/WH	TRINITY 73W 8231LM 4000K WHITE BODY
TR/49/4K/WH	TRINITY 49W 6225LM 4000K WHITE BODY
TR/70/4K/WH	TRINITY 70W 8482LM 4000K WHITE BODY
TR/103/4K/WH	TRINITY 103W 11660LM 4000K WHITE BODY

OPTIONS	DESCRIPTION
/DALI	DALI dimming
/M3	3hr Emergency
/D3	3hr DALI monitored emergency
/BK	Black body
/GR	Silver Grey body
/BTC	Casambi Wireless Control

DIMENSIONS



- L1 - 17W/24W/35W - 600MM - H - 80MM
- L1 - 27W/38W/55W - 900MM - H - 80MM
- L1 - 35W/50W/73W - 1200MM - H - 80MM
- L1 - 49W/70W/103W - 1600MM - H 80MM

