



APPLICATIONS

- Meeting rooms
- Corridors
- Gallery

CONSTRUCTION

- Die-cast aluminium housing epoxy powder coated
- Faceted reflector

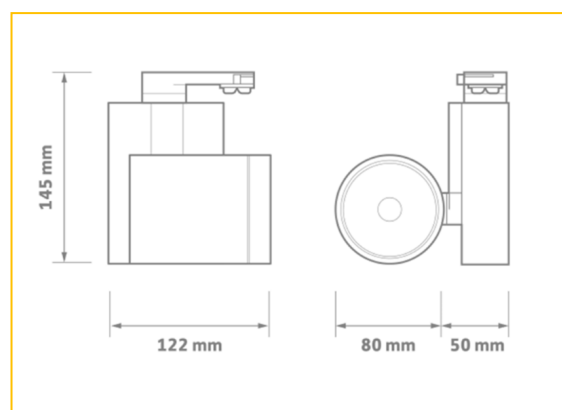
TECHNICAL DETAILS

- Various Wattages
- CRI>80
- CCT Options 3000K, 4000K
- Colour body option WH, BK

ORDER CODE	DESCRIPTION
KN/1000/40/WH	KENNETT 1025LM 4000K WHITE BODY
KN/1700/40/WH	KENNETT 1750LM 4000K WHITE BODY

OPTIONS	DESCRIPTION
/DALI	DALI/DSI DIMMING
/9	RA 90 COLOUR RENDERING
/NB	NARROW BEAM ANGLE
/WB	WIDE BEAM ANGLE
/BK	BLACK FINISH

DIMENSIONS



Ordering Format: Product Code / Option

Example: KN/1000/40/WH/DALI



IP20

