

# Wall-E



## APPLICATIONS

- Church
- Theatre
- Offices
- Factory

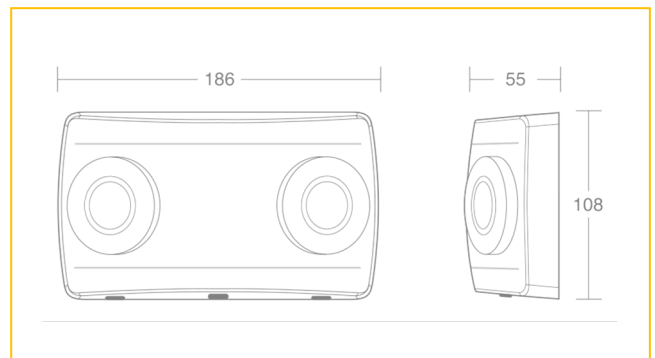
## TECHNICAL DETAILS

- CCT 5000K
- Beam angle options
- CRI >80
- 2 x 2w LED 110 lumen per head

## CONSTRUCTION

- Injection moulded polycarbonate housing
- Clear prismatic polycarbonate heads
- Stainless steel fixings

## DIMENSIONS



PRODUCT CODE	DESCRIPTION
WLE/M3/NB	WALL-E MAINTAINED NARROW BEAM
WLE/M3/WB	WALL-E MAINTAINED WIDE BEAM

