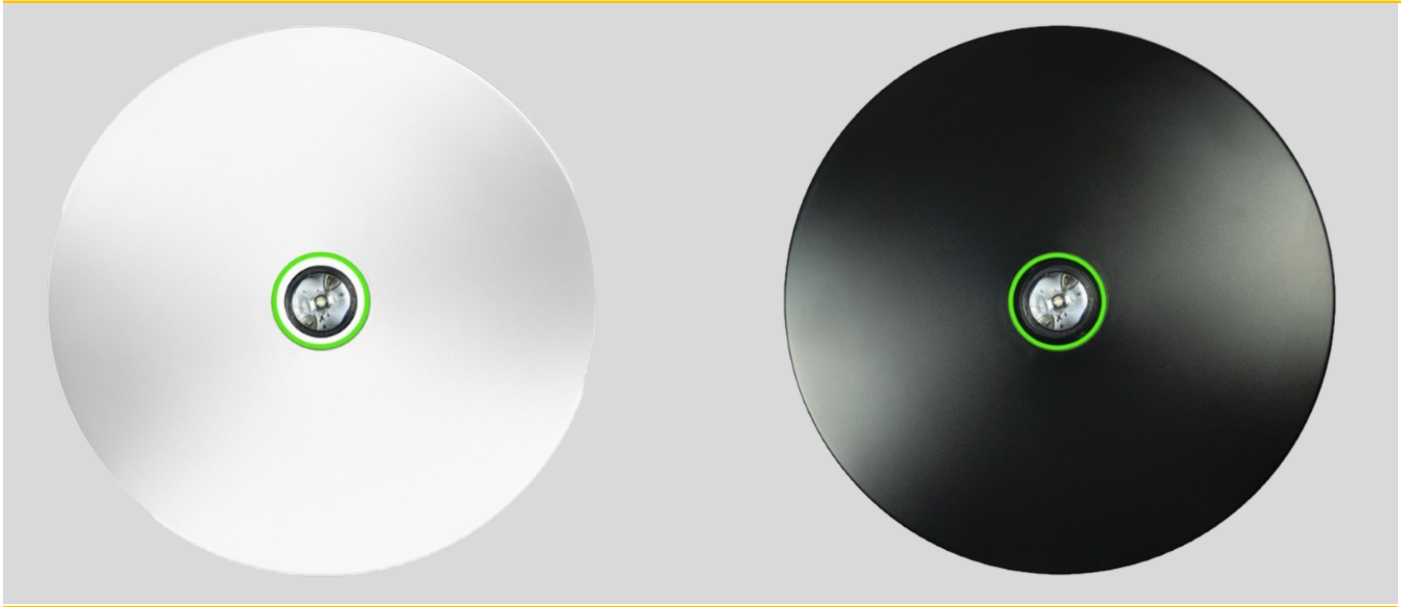


LRR 6



APPLICATIONS

- Open areas
- Corridors

TECHNICAL DETAILS

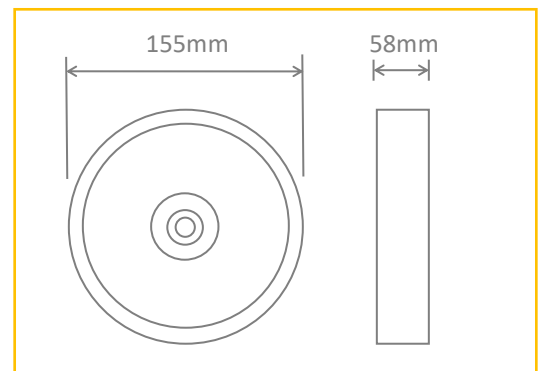
- CCT 6000K
- CRI >80
- 135° Open area or Corridor optic
- Lithium Battery technology

CONSTRUCTION

- Injection moulded housing
- Besa fixing



DIMENSIONS



PRODUCT CODE	DESCRIPTION
LRR/3/OA	LRR 3W 224LM NM3 OPEN AREA LED
LRR/3/CR	LRR 3W 231LM NM3 CORRIDOR LED
LRR/3/NL	LRR 3W 200LM NM3 NON OPTIC LED

OPTIONS	DESCRIPTION
/OA	OPEN AREA OPTIC
/CR	CORRIDOR OPTIC
/NL	NON OPTIC
/D3	3HR DALI MONITORED EMERGENCY
/STE	SELF TEST EMERGENCY
/BK	BLACK FINISH

Ordering Format: Product Code / Option

Example: LRR/3/OA/D3/BK