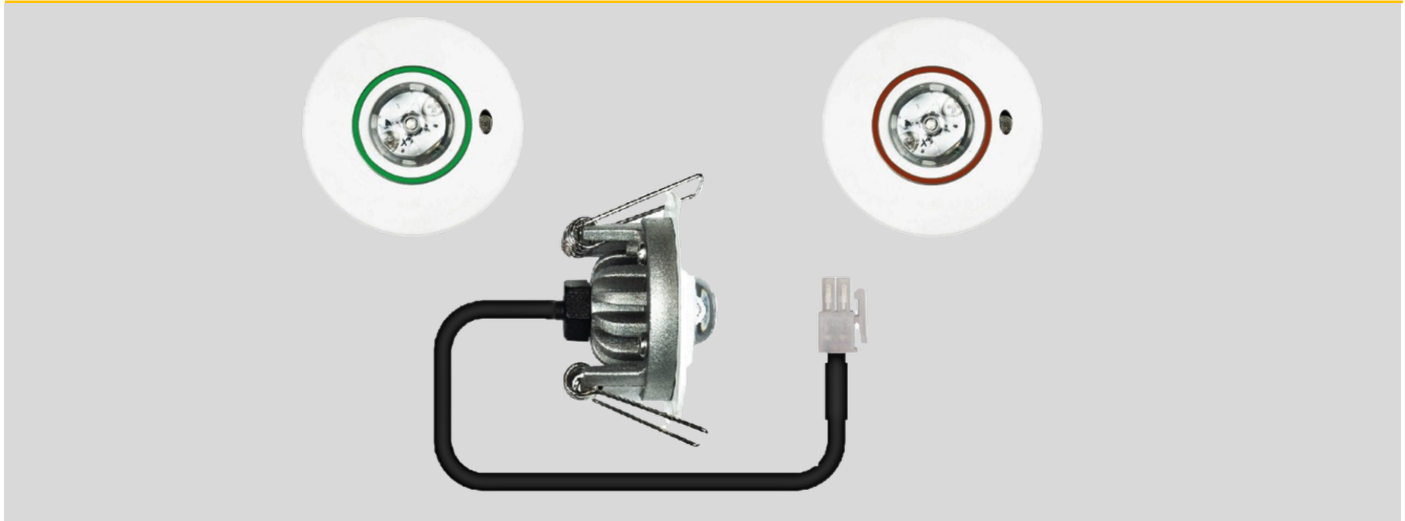


Android



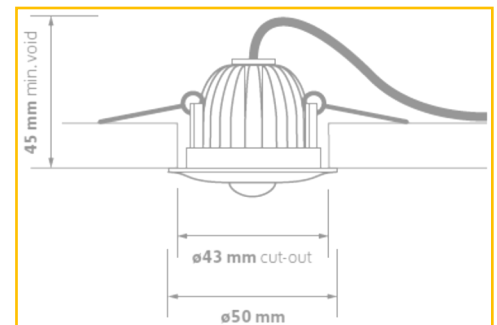
APPLICATIONS

- Escape routes
- Open areas

CONSTRUCTION

- Injection moulded polycarbonate bezel
- Clear polycarbonate optic
- Finned aluminium heat sink

DIMENSIONS



TECHNICAL DETAILS

- CCT 6000K
- CRI >80
- Lithium Battery technology LiFePO₄
- Open area 266 lumen
- Corridor 268 lumen
- Non Optic 237 lumen

PRODUCT CODE	DESCRIPTION
LP6/3/OA	3W NM3 C/W OPEN AREA OPTIC 266LM
LP6/3/CR	3W NM3 C/W CORRIDOR OPTIC 268LM
LP6/3/NL	3W NM3 NON-OPTIC 237LM

OPTIONS	DESCRIPTION
/D3	3HR DALI MONITORED EMERGENCY
/STE	SELF TESTING EMERGENCY
/54	IP54
/BK	BLACK BEZEL

Ordering Format: Product Code / Option

Example: LP6/3/OA/D3

OPEN AREA OPTIC

Mounting	To Wall		Between Fittings	
	0.5 Lux	1.0 Lux	0.5 Lux	1.0 Lux
Height				
2.5m	3.9m	3.6m	8.2m	7.6m
3.0m	4.5m	4.1m	9.4m	8.7m
4.0m	5.5m	4.8m	11.8m	10.9m
5.0m	6.4m	5.0m	14.0m	12.6m
6.0m	6.9m	3.1m	16.0m	13.3m
8.0m	6.0m	-	18.9m	8.5m

CORRIDOR OPTIC

Mounting	To Wall		Between Fittings	
	0.5 Lux	1.0 Lux	0.5 Lux	1.0 Lux
Height				
2.5m	5.2m	4.6m	11.9m	10.2m
3.0m	5.8m	5.1m	13.1m	11.4m
4.0m	6.9m	5.8m	15.6m	13.7m
5.0m	7.9m	5.0m	18.0m	15.5m
6.0m	8.3m	4.2m	20.1m	15.5m
8.0m	6.5m	-	21.9m	12.7m

IP20

