

FusiLED



FusiLED 'H'

FusiLED 'G'

FusiLED 'O'

APPLICATIONS

- Building perimeters
- Landscapes
- Car Parks

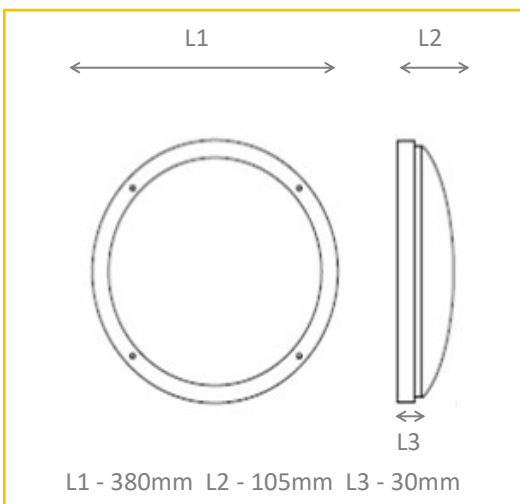
TECHNICAL DETAILS

- Stainless Steel fixings
- CRI>80
- CCT 4000K

CONSTRUCTION

- Die-cast aluminium two piece body
- Satin frost diffuser
- One piece flow gasket

DIMENSIONS



ORDER CODE	DESCRIPTION
FLH/19/4K/BK	FUSILED HOODED FACE 1400LM BLACK BODY
FLG/22/4K/BK	FUSILED GRILL FACE 1750LM BLACK BODY
FLO/22/4K/BK	FUSILED OPEN FACE 1750LM BLACK BODY

OPTIONS	DESCRIPTION
/M3	3HR EMERGENCY
/D3	DALI MONITORED EMERGENCY
/DALI	DALI ADDRESSABLE DIMMING
/MW1	MICROWAVE SENSOR
/BTC	CASAMBI WIRELESS CONTROL



Ordering Format: Product Code / Option

Example: FLH/19/4K/BK/M3