



APPLICATIONS

- Building perimeters
- Landscapes
- Car Parks

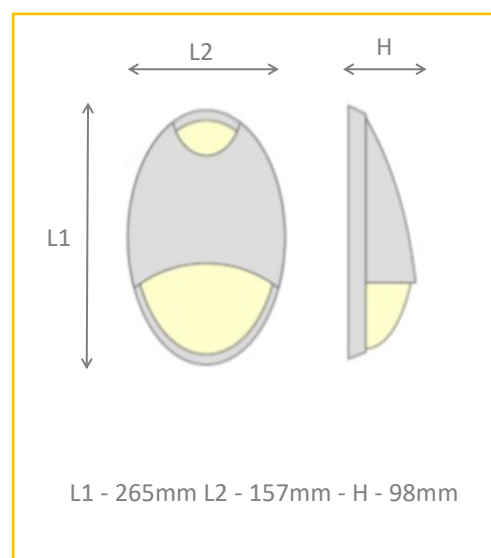
CONSTRUCTION

- Die-cast aluminium body with integral heatsink
- Polycarbonate diffuser
- Chromate conversion powder coated

TECHNICAL DETAILS

- Switchable integral photo-cell
- Type IV Optic
- CRI>80
- CCT 5000K

DIMENSIONS



| ORDER CODE | DESCRIPTION |
|----------------|---------------------------------|
| ET/10/5K/CL/BK | ETON 10W HOOD 1192LM BLACK BODY |

| OPTIONS | DESCRIPTION |
|---------|--------------------------|
| /M3 | 3HR EMERGENCY |
| /PCV | PRODUCT COLOUR VARIATION |

Ordering Format: Product Code / Option

Example: ET/10/5K/CL/BK/M3

IP65

