

Cyprus



APPLICATIONS

- Feature
- Landscapes
- Signage
- Façade illumination

CONSTRUCTION

- Die-cast aluminium body
- Stainless steel fixings
- Tempered glass lens

TECHNICAL DETAILS

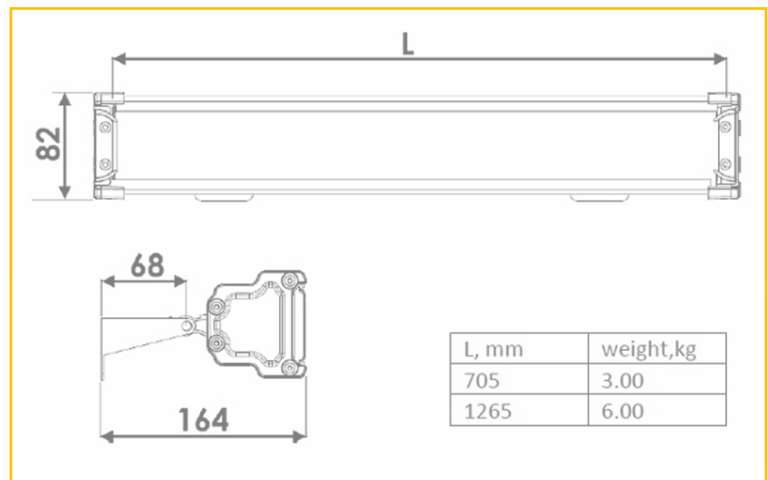
- Stainless Steel fixings
- CRI>80
- IK09
- CCT 3000, 4000K
- Life 50,000hrs L80/B50

OPTICS

- 30° x 30° Optic



DIMENSIONS



| ORDER CODE | DESCRIPTION |
|-------------|---|
| CY/15/4K/GR | CYPRUS 15W, 4K, 30° OPTIC, 1900LM, 705MM |
| CY/22/4K/GR | CYPRUS 22W, 4K, 30° OPTIC, 2370LM, 705MM |
| CY/29/4K/GR | CYPRUS 29W, 4K, 30° OPTIC, 3162LM, 705MM |
| CY/30/4K/GR | CYPRUS 30W, 4K, 30° OPTIC, 3794LM, 1265MM |
| CY/42/4K/GR | CYPRUS 42W, 4K, 30° OPTIC, 4750LM, 1265MM |
| CY/59/4K/GR | CYPRUS 59W, 4K, 30° OPTIC, 6324LM, 1265MM |

*Suffix 4K to 3K for 3000 Kelvin LED *

POLAR CURVE

