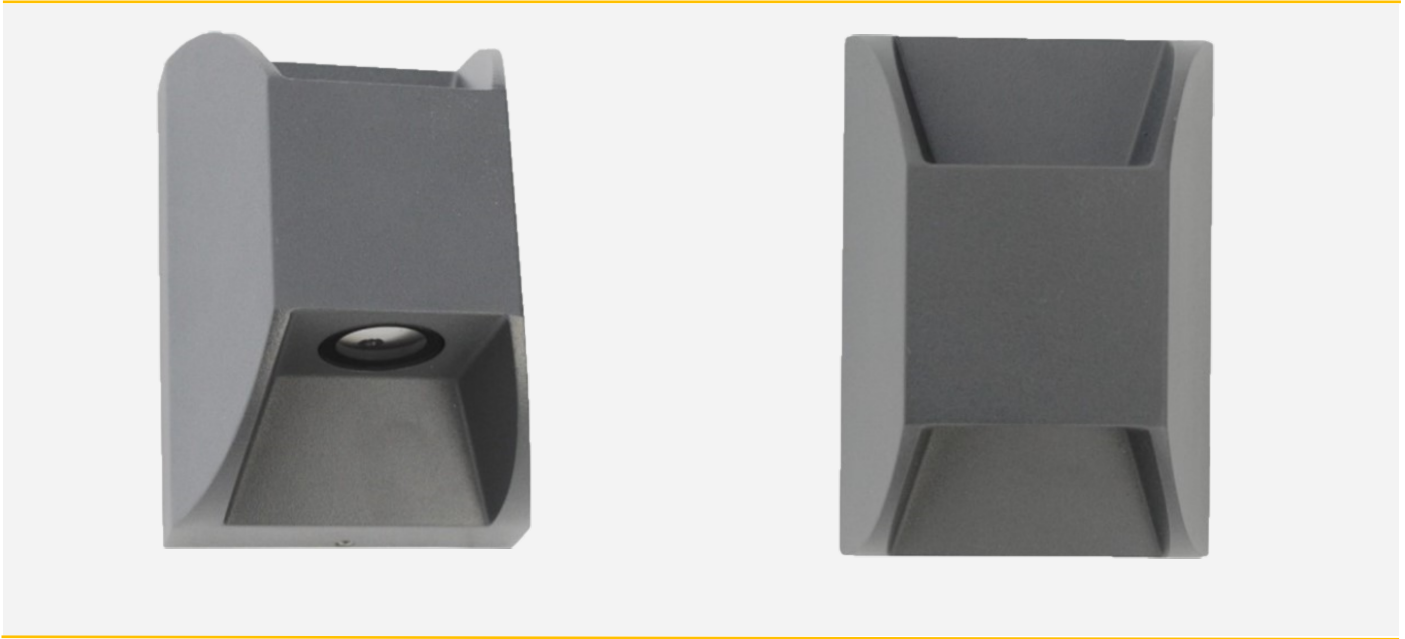


Austin



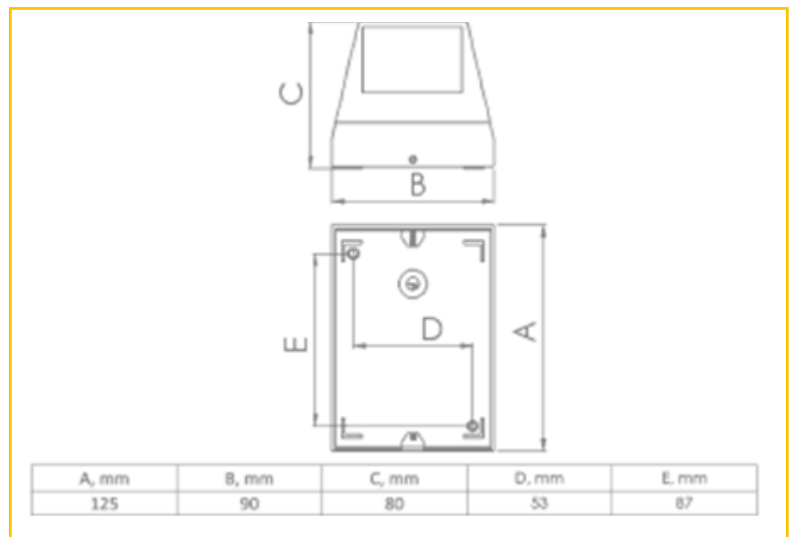
APPLICATIONS

- Pathway
- Landscapes
- Door Entrance
- Façade illumination

TECHNICAL DETAILS

- Stainless Steel fixings
- CRI>80
- IK08
- CCT 3000, 4000K
- Life 40,000hrs L80/B50

DIMENSIONS



ORDER CODE	DESCRIPTION
AUS/6/4K/GR	AUSTIN 6W, 510LM, 2 X 60°, FINISHED RAL7043

CONSTRUCTION

- Die-cast aluminium body
- Stainless steel fixings
- Tempered glass lens

OPTICS

- 2 x 60° Optic

LIGHT DISTRIBUTION CURVE

