

Lancing



APPLICATIONS

- Toilets
- Corridors
- Store rooms
- Bedrooms

CONSTRUCTION

- Spun Steel base
- Opal Lumaxx polycarbonate diffuser
- Epoxy powder coated white

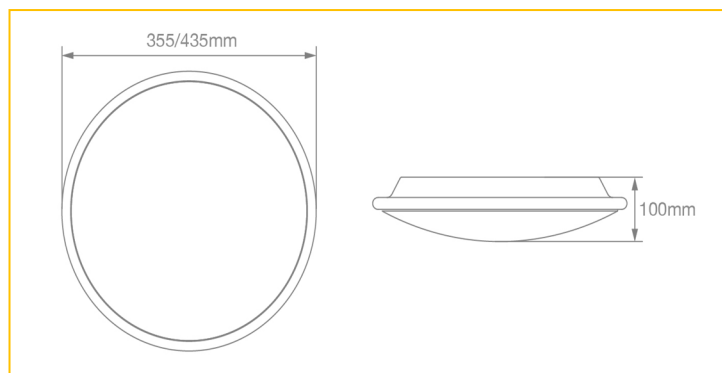
TECHNICAL DETAILS

- CRI>80
- 2 CCT 3000K, 4000K
- Various Wattages

DIMENSIONS

PRODUCT CODE	DESCRIPTION
LA/20/CCT/OP/WH	LANCING 20W, 1680LM, WHITE BASE, OPAL DIF
LA/25/CCT/OP/WH	LANCING 25W, 2460LM, WHITE BASE, OPAL DIF

OPTIONS	DESCRIPTION
/DALI	DALI DIMMABLE
/M3	3HR EMERGENCY
/PCV	PRODUCT COLOUR VARIATION



Ordering Format: Product Code / Option

Example: LA/20/CCT/OP/WH/DALI

IP40

