



APPLICATIONS

- Building perimeters
- Public Places
- Car Parks
- Façade illumination

CONSTRUCTION

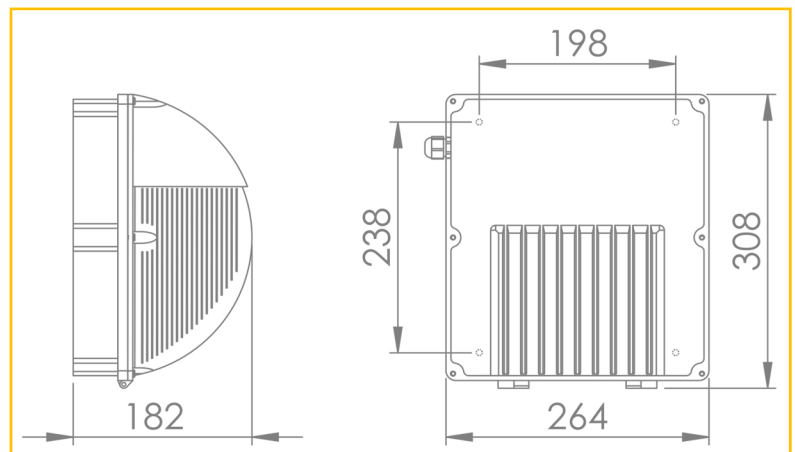
- Die-cast aluminium body
- Opal polycarbonate diffuser
- One piece flow gasket

TECHNICAL DETAILS

- Stainless Steel fixings
- CRI>80
- CCT 3000 or 4000K
- IK08



DIMENSIONS



ORDER CODE	DESCRIPTION
ARL/27/4K/OP/BK	ARLOWE, 27W, 4K, 2,720LM, FINISHED BLACK
ARL/40/4K/OP/BK	ARLOWE, 40W, 4K, 3,964LM, FINISHED BLACK

OPTIONS	DESCRIPTION
/M3	3HR EMERGENCY
/DALI	DALI ADDRESSABLE DIMMING
/MW1	MICROWAVE SENSOR
/BTC	CASAMBI WIRELESS CONTROL

Ordering Format: Product Code / Option

Example: ARL/27/4K/OP/BK/M3