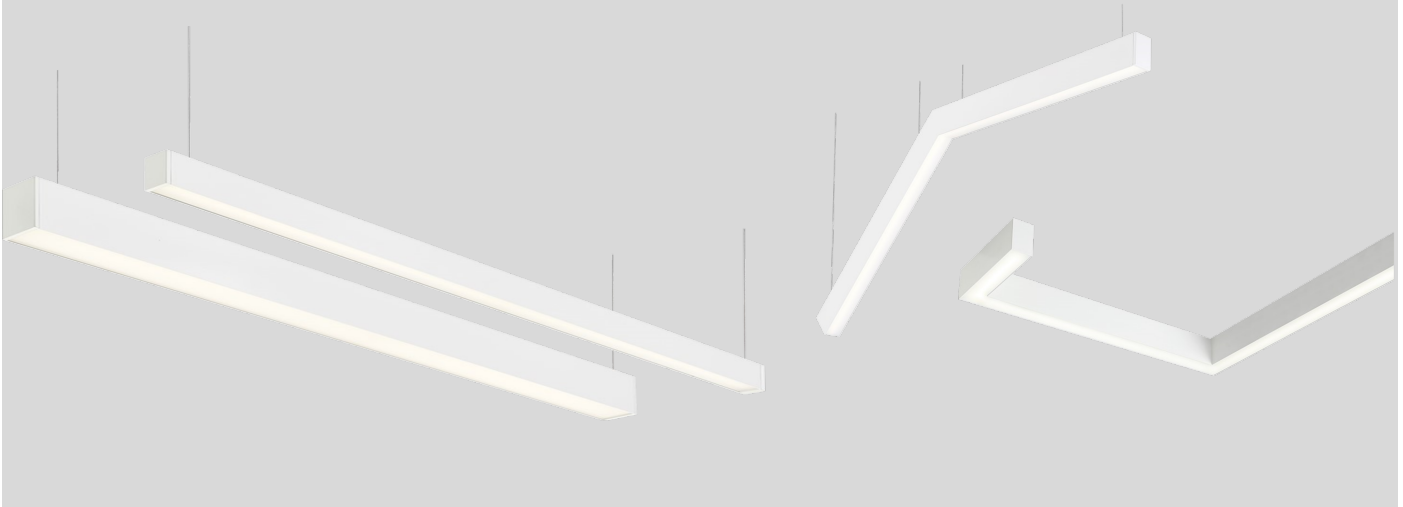


Lina 80



CUSTOMISED EXAMPLES



Lina 80 is available as a fully customisable products from a single stand alone units to continuous lines of light with Intersections, Tee's, elbows. Lina has the option of optics, paint colours and lumen outputs and is available suspended or surface mounted the product has untold capabilities.

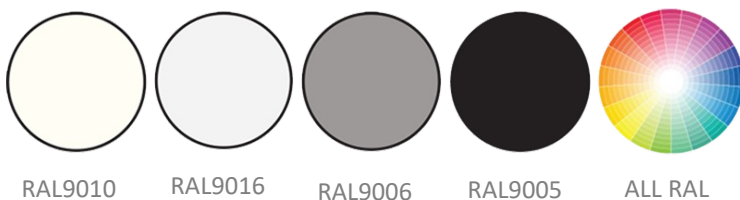
TECHNICAL DETAILS

- Extruded aluminium section
- Tridonic Driver & PCB's
- Control options - DALI, Wireless
- Optic options
- Direct Or Direct/Indirect
- Through wiring

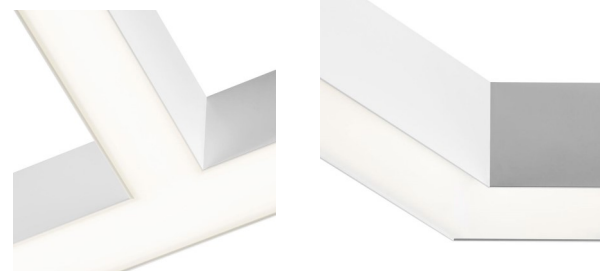
APPLICATIONS

- Classrooms
- Corridors
- Receptions
- Offices
- meeting rooms
- Atrium

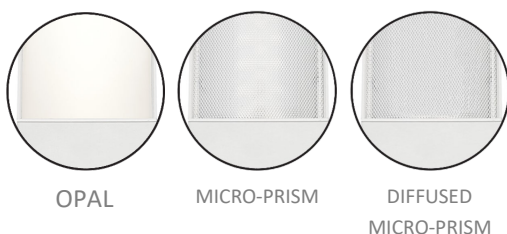
PAINT COLOUR



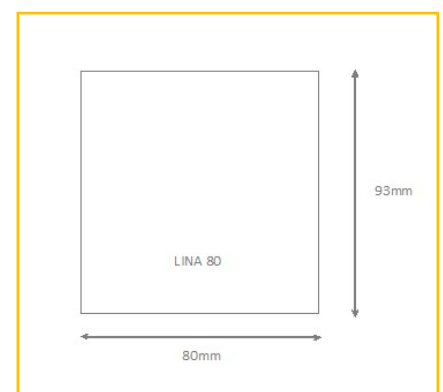
INTERSECTIONS



OPTICS



DIMENSIONS



ORDERING INFORMATION

Please contact our Sales Office with your project enquiry, as Lina 80 is quoted on a project basis

