

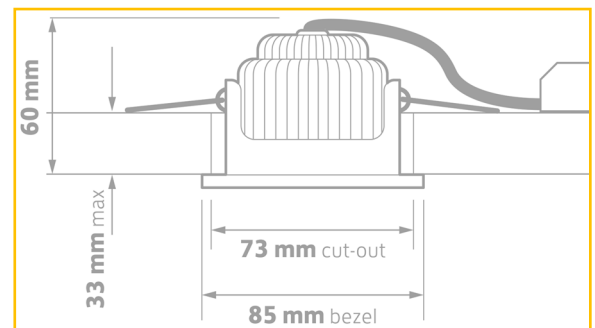
Capri - FR85



APPLICATIONS

- Domestic dwellings
- Offices
- Schools
- Receptions

DIMENSIONS



CONSTRUCTION

- Finned die-cast housing epoxy powder Coated black
- Multi facet reflector
- Die-cast bezel epoxy powder coated

PRODUCT CODE	DESCRIPTION
CFR85/3K/WH	CAPRI FR85 9W 575LM 3000K WHITE BEZEL
CFR85/4K/WH	CAPRI FR85 9W 575LM 4000K WHITE BEZEL

TECHNICAL DETAILS

- CRI>80
- Accredited fire rating FR30,FR60 and FR90
In accordance with BS476:Part 21 1987
- CCT 3000K, 4000K
- Various Wattages

OPTIONS	DESCRIPTION
/DALI	ADDRESSABLE / TOUCH DIM
/M3	3HR EMERGENCY
/BTC	CASAMBI WIRELESS CONTROL (INC DIM)
/BK	BLACK BEZEL
/BA	BRUSHED ALUMINIUM BEZEL

Ordering Format: Product Code / Option

Example: CFR85/3K/WH/DALI

