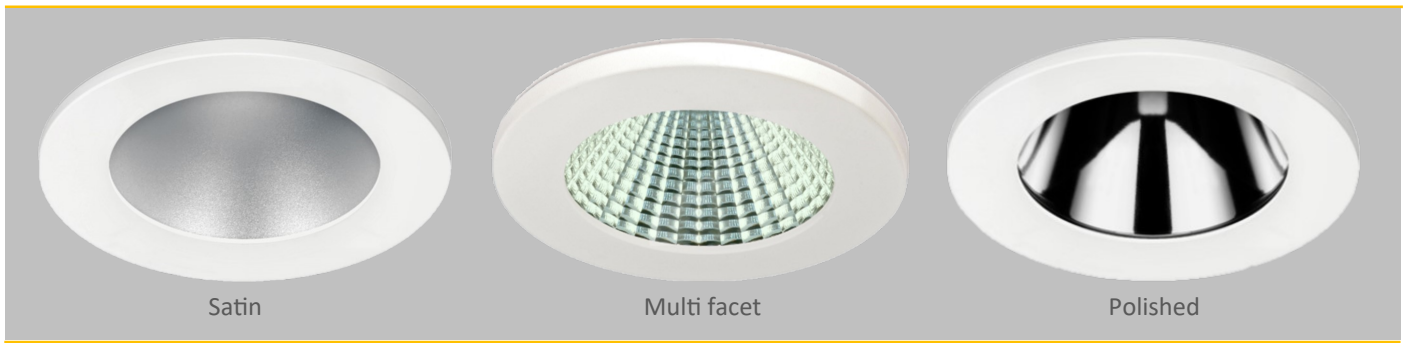


# Capri - 130



## APPLICATIONS

- Classrooms
- Corridors
- Canteens
- Receptions

## CONSTRUCTION

- Die-cast aluminium body epoxy powder coated black
- Aluminium reflector
- Die-cast aluminium twist lock bezel epoxy Powder coated white

## TECHNICAL DETAILS

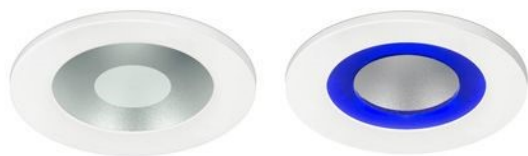
- CRI>80
- CCT colour option 3000K, 4000K
- Philips Driver
- Philips SLM Chip set

## ACCESSORIES



TA65/002  
IP65 bezel

TA206  
Etch dome



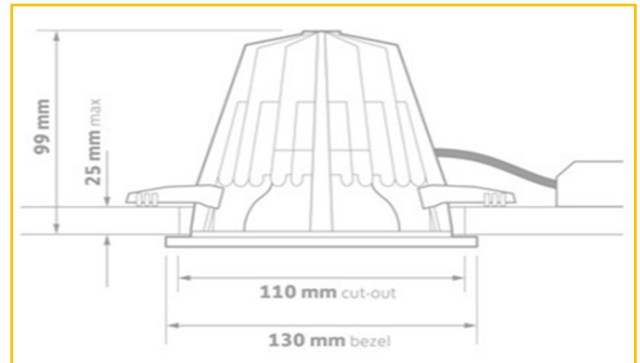
TA241  
Centre etch

TA220  
Blue Insert



IP2000  
Plaster-In

## DIMENSIONS



PRODUCT CODE	POWER	TEMP (K)	OUTPUT (LM)
C130/600/30/WH	7W	3000K	600LM
C130/600/40/WH	7W	4000K	600LM
C130/1100/30/WH	12W	3000K	1150LM
C130/1100/40/WH	12W	4000K	1150LM
C130/1800/30/WH	18W	3000K	1800LM
C130/1800/40/WH	18W	4000K	1800LM
C130/2300/30/WH	27W	3000K	2375LM
C130/2300/40/WH	27W	4000K	2375LM

OPTIONS	DESCRIPTION
/M3	3HR EMERGENCY
/D3	3HR DALI MONITORED EMERGENCY
/STE	SELF TEST EMERGENCY
/DALI	TOUCH DIMMING/DALI
/BTC	CASAMBI WIRELESS CONTROL (INC DIM)

Ordering Format: Product Code / Option

Example: C130/600/30/WH/M3

