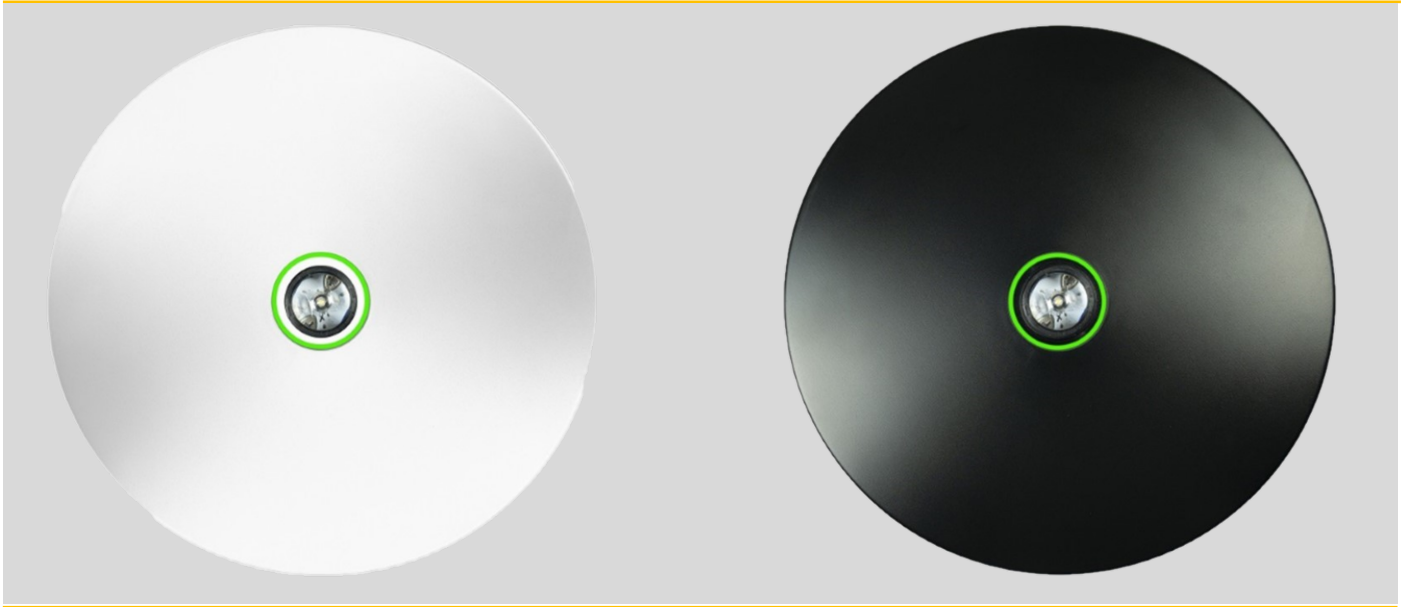


LRR 6



APPLICATIONS

- Open areas
- Corridors

TECHNICAL DETAILS

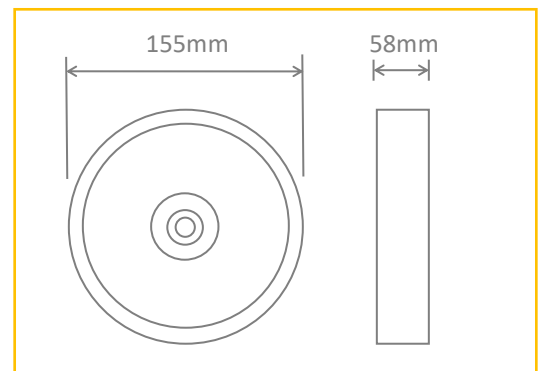
- CCT 6000K
- CRI >80
- 135° Open area or Corridor optic
- Lithium Battery technology

CONSTRUCTION

- Injection moulded housing
- Besa fixing



DIMENSIONS



PRODUCT CODE	DESCRIPTION
LRR/3/OA	LRR 3W 224LM NM3 OPEN AREA LED
LRR/3/CR	LRR 3W 231LM NM3 CORRIDOR LED
LRR/3/NL	LRR 3W 200LM NM3 NON OPTIC LED

OPTIONS	DESCRIPTION
/OA	Open area optic
/CR	Corridor optic
/NL	Non Optic
/D3	3hr DALI monitored emergency
/STE	Self Testing emergency
/BK	Black finish

Ordering Format: Product Code / Option

Example: LRR/3/OA/D3/BK