

# Capri - 70



## APPLICATIONS

- Domestic dwelling
- Corridors
- Displays
- Receptions

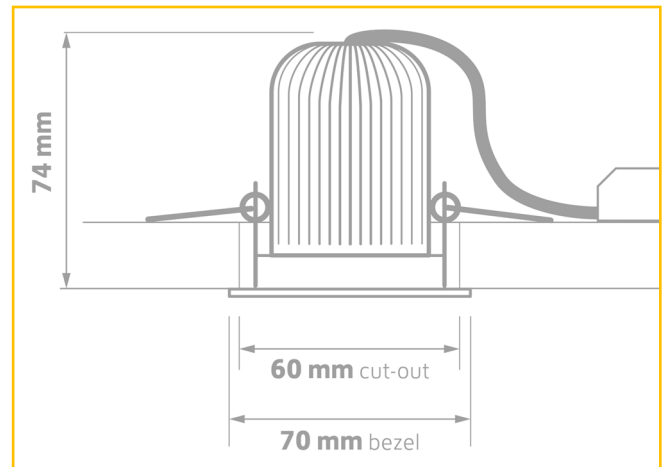
## CONSTRUCTION

- Thermal optimised aluminium heat sink
- Injection moulded faceted reflector
- Die-cast aluminium bezel epoxy powder Coated white

## TECHNICAL DETAILS

- CRI>80
- 36° reflector as standard
- CCT colour option 3000K, 4000K
- Life > 50,000h L70/F50
- Osram Flex dip driver

## DIMENSIONS



PRODUCT CODE	POWER	TEMP (K)	OUTPUT (LM)
C70/8/3K/WH	8W	3000	750LM
C70/8/4K/WH	8W	4000	775LM

OPTIONS	DESCRIPTION
/MDIM	Phase-cut mains dimming
/DALI	Touch-Dimming / DALI
/CASAMBI	Wireless network dimming
/EM	3hr Emergency Conversion
/EMD	3hr DALI Emergency Conversion

Ordering Format: Product Code / Option  
Example: C70/8/3K/WH/EM

