

Capri - FR85



APPLICATIONS

- Domestic dwellings
- Offices
- Schools
- Receptions

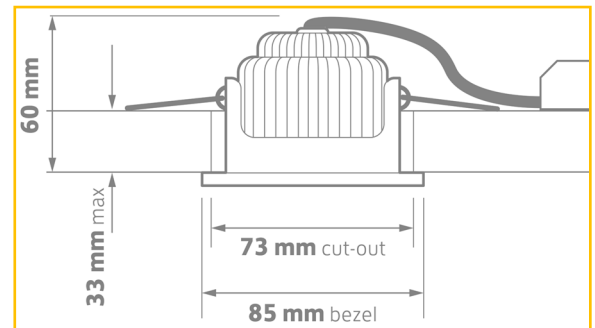
CONSTRUCTION

- Finned die-cast housing epoxy powder Coated black
- Multi facet reflector
- Die-cast bezel epoxy powder coated

TECHNICAL DETAILS

- CRI>80
- Accredited fire rating FR30,FR60 and FR90
In accordance with BS476:Part 21 1987
- CCT 3000K, 4000K
- Various Wattages

DIMENSIONS



PRODUCT CODE	DESCRIPTION
CFR85/3K/WH	CAPRI FR85 9W 575LM 3000K WHITE BEZEL
CFR85/4K/WH	CAPRI FR85 9W 575LM 4000K WHITE BEZEL

OPTIONS	DESCRIPTION
/DALI	DALI dimming
/M3	3hr Emergency
/SPC	Single point connection
/BK	Black bezel
/BA	Brushed aluminium

Ordering Format: Product Code / Option

Example: CFR85/3K/WH/DALI

