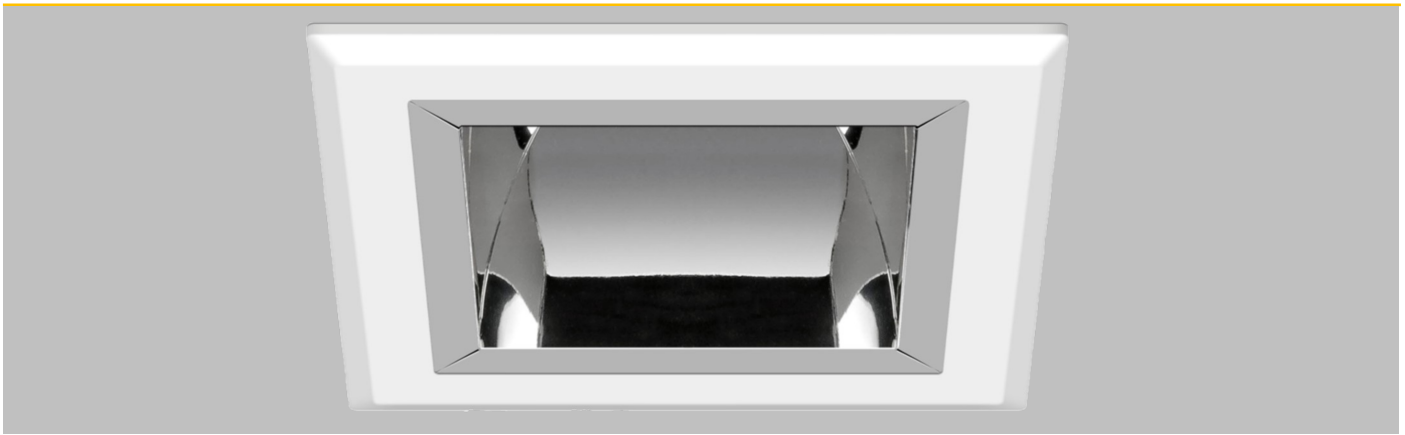


# Capri - 170



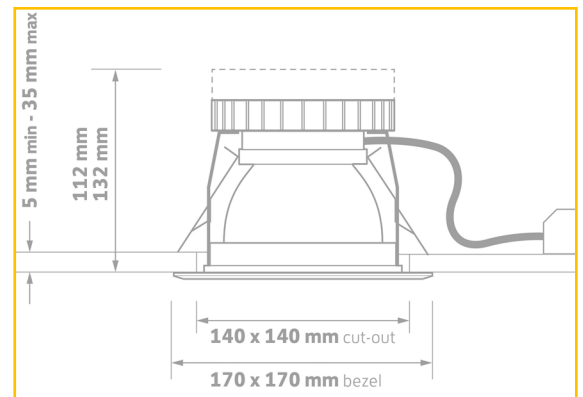
## APPLICATIONS

- Classrooms
- Corridors
- Meeting rooms
- Receptions

## TECHNICAL DETAILS

- CRI>80
- CCT colour option 3000K, 4000K
- Tridonic Driver
- Tridonic DLE Chip set

## DIMENSIONS



## CONSTRUCTION

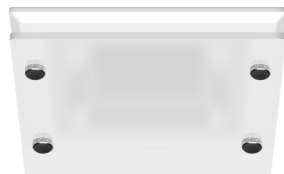
- Fabricated sheet metal work epoxy powder coated white
- High specular aluminium reflector outstanding efficiency of 96%
- Die-cast aluminium UB bezel epoxy powder coated white

## ACCESSORIES



DA001

Clear polycarbonate



DA002

Fully etched polycarbonate



DA003

Clear polycarbonate halo



DA004

Etched Halo

PRODUCT CODE	POWER	TEMP (K)	OUTPUT (LM)
C170/1100/30/WH	9W	3000	1309
C170/1100/40/WH	8W	4000	1209
C170/2000/30/WH	16W	3000	2162
C170/2000/40/WH	15W	4000	2136
C170/30/3000/WH	22W	3000	3077
C170/40/3000/WH	22W	4000	3241

OPTIONS	DESCRIPTION
/EM	3HR EMERGENCY CONVERSION
/EMD	3HR DALI EMERGENCY CONVERSION
/STE	SELF TEST EMERGENCY CONVERSION
/DALI	TOUCH DIMMING/DALI
/SPC	SINGLE POINT CONNECTION

Ordering Format: Product Code / Option

Example: C170/1100/30/WH/EM

IP20

