

# Lustre 'R'



## APPLICATIONS

- Meeting Rooms
- Corridors
- Receptions
- Offices

## CONSTRUCTION

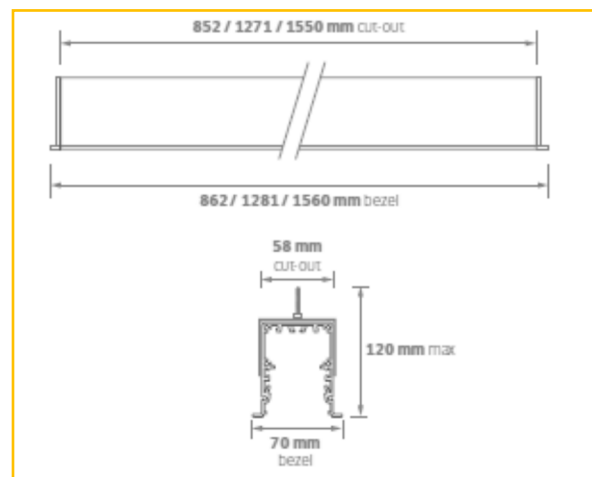
- Extruded aluminium body
- Aluminium end caps
- TP(a) opal lens

## TECHNICAL DETAILS

- Various Wattages
- CRI>80
- CCT Options 3000K, 4000K
- Tridonic LED's & driver
- Lumen depreciation L80/F10 @60,000 hours

## DIMENSIONS

PRODUCT CODE	COLOUR TEMP (K)	STD (LM)	LO (LM)	HO (LM)	LENGTH
LRE/850/3K/WH	3000 K	1800	1300	2700	850 MM
LRE/850/4K/WH	4000 K	1900	1350	2825	850 MM
LRE/1200/3K/WH	3000 K	2700	1900	4025	1200 MM
LRE/1200/4K/WH	4000 K	2825	1975	4225	1200 MM
LRE/1500/3K/WH	3000 K	3300	2325	4925	1500 MM
LRE/1500/4K/WH	4000 K	3450	2425	5175	1500 MM



OPTIONS	DESCRIPTION
/DALI	Touch Dim / DALI dimming
/M3	3hr Emergency
/D3	3hr DALI monitored emergency
/SE	End caps
/JK	Wiring joining kit
/LO	Low output
/HO	High output
/LG	Low glare prismatic lens for LG7 compliance
/PT001	Diffuser Extract Tool

## CONTINUOUS MOUNTING



LRE/\*\*\*\*/4K/WH/SE

Start/End piece

LRE/\*\*\*\*/4K/WH

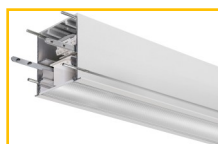
Intermediate piece

LRE/\*\*\*\*/4K/WH/SE

Start/End piece

\*\*\*Suffix code with SE for Start/End piece \*\*\*

\*Note STD (LM) supplied as standard suffix end of code for LO or HO output\*



/LG

Low glare diffuser



/PT001

Diffuser Extract Tool

IP20

