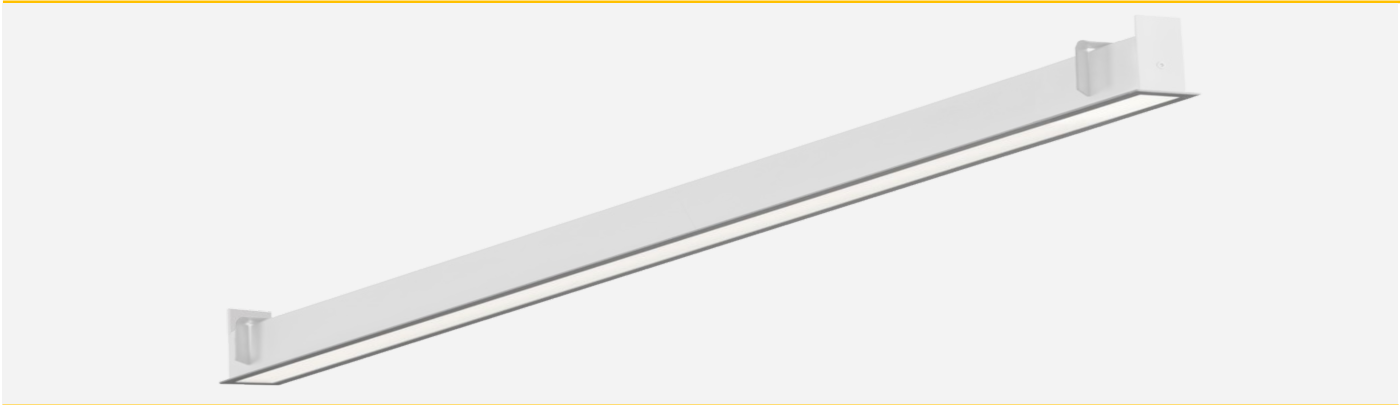


Lina 'R'



APPLICATIONS

- Meeting Rooms
- Corridors
- Receptions
- Offices

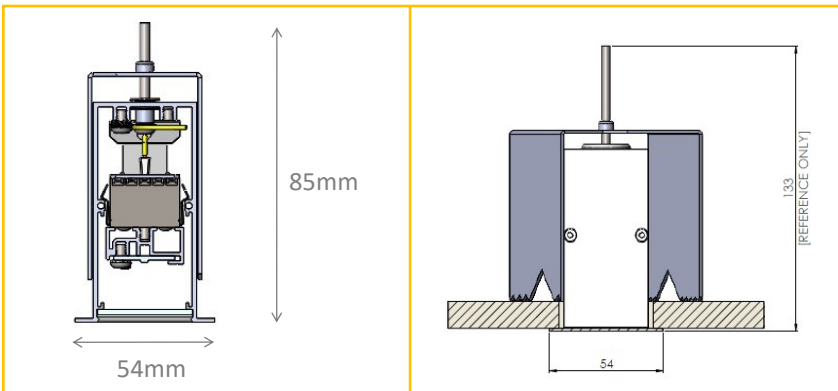
CONSTRUCTION

- Extruded aluminium body
- Aluminium end caps
- Polar frost or Micro-Prism Optic

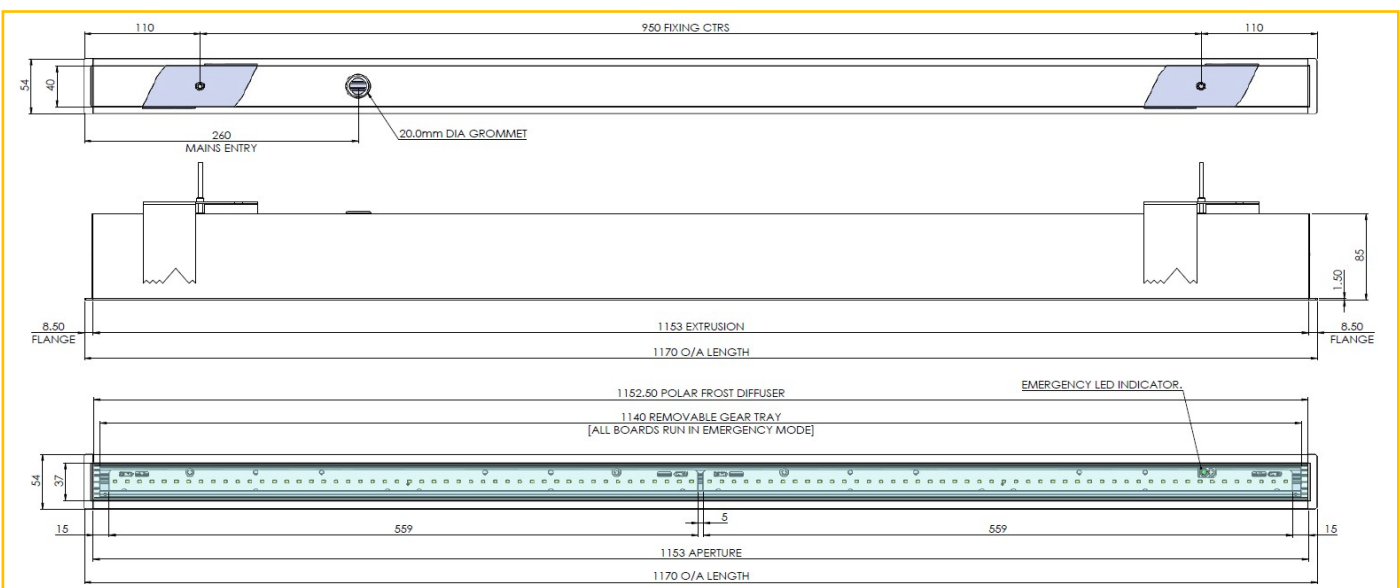
TECHNICAL DETAILS

- Various Wattages
- CRI>80
- CCT Options 3000K, 4000K, 5000K
- Trim colour options WH, BK, RAL

EXAMPLE DIMENSIONS



OPTIONS	DESCRIPTION
/DALI	DALI dimming
/M3	3hr Emergency
/D3	3hr DALI monitored emergency
/BTC	Camambi Wireless network (Dim)



Note Lina R is a custom made product and available in various lengths and wattages please speak to our sales team with you requirements and a custom quotation will be raise against your project

