

APPLICATIONS

- Offices
- Meeting Rooms
- Reception
- Classrooms

CONSTRUCTION

- Fabricated Sheet metal housing
- Epoxy powder coated white
- Suitable for exposed Tee
- Micro-prism diffuser UGR<19
- Parabolic Louvre

TECHNICAL DETAILS

- CRI>80
- CCT 4000K

PRODUCT CODE	DESCRIPTION
IMO/27/4K/PAR/WH	IMOLA 27w, 2943LM, 4K, PAR OPTIC
IMO/36/4K/PAR/WH	IMOLA 36w, 3924LM, 4K, PAR OPTIC

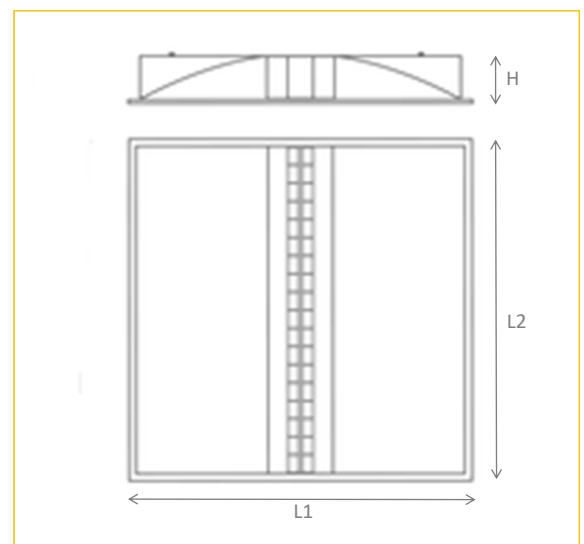
OPTIONS	DESCRIPTION
/DALI	DALI dimming
/M3	3hr Emergency
/D3	3hr DALI monitored emergency
/MPO	Micro-prism Optic

Suffix PAR to MPO for micro-prism optic

Ordering Format: Product Code / Option

Example: IMO/27/4K/PAR/WH/DALI

DIMENSIONS



L1 - 595mm L2 - 595mm - H 70mm

