



APPLICATIONS

- Offices
- Meeting Rooms
- Reception
- Classrooms

CONSTRUCTION

- Fabricated sheet metal epoxy powder Coated white
- Suitable for exposed Tee
- Satin Opal diffuser
- Micro-prism option

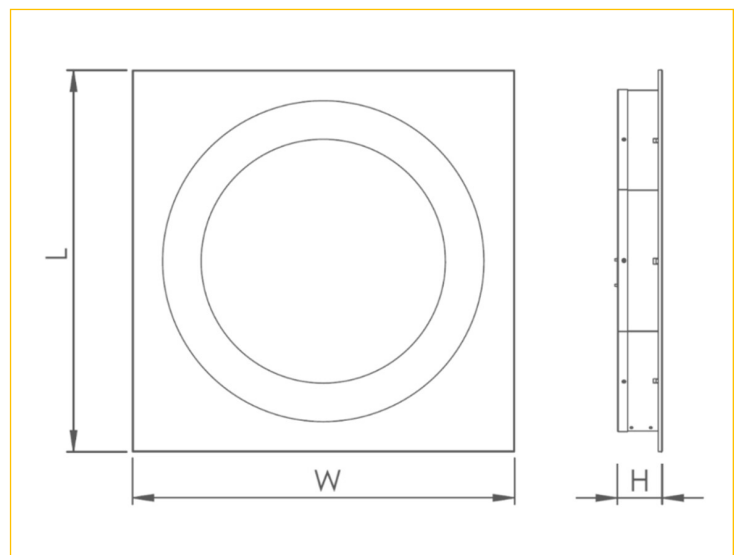
TECHNICAL DETAILS

- CRI>80
- CCT 3000K, 4000K
- Life 100,000hrs L80/B10

PRODUCT CODE	DESCRIPTION
DT/26/4K/WH	DENTON 26W 2619LM WHITE BODY
DT/38/4K/WH	DENTON 38W 3683LM WHITE BODY
DT/55/4K/WH	DENTON 55W 5106LM WHITE BODY

OPTIONS	DESCRIPTION
/DALI	DALI dimming
/M3	3hr Emergency
/D3	3hr DALI monitored emergency
/MPO	Low glare micro-prism optic
/PB	Plasterboard fixing kit

DIMENSIONS



L1 - 595mm W - 595mm H - 70mm

Ordering Format: Product Code / Option

Example: DT/26/4K/WH/DALI

