



## APPLICATIONS

- Event Spaces
- Warehouses
- Cold Storage
- Industrial Areas

## CONSTRUCTION

- Die-cast aluminium housing epoxy powder coated RAL7043
- Stainless steel mounting hoop
- Polycarbonate optic
- IK02 impact rating

## TECHNICAL DETAILS

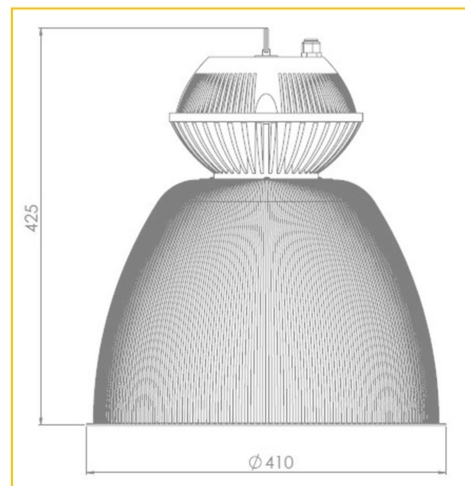
- Various Wattages
- CRI>80
- CCT Options 3000 & 4000K
- 120° Beam angle
- Life 55,000hrs L80/B10



## OPTIONS

- /DALI - Addressable dimming control
- /M3 - 3Hr Maintained emergency
- /RAL - Custom gear housing colour

## DIMENSIONS



ORDER CODE	DESCRIPTION
PZI/34/4K/PCR	PRIZMA 34W, 4,802LM, 4K, 410MM REFRACTOR
PZI/48/4K/PCR	PRIZMA 48W, 6,147LM, 4K, 410MM REFRACTOR
PZI/69/4K/PCR	PRIZMA 69W, 8,101LM, 4K, 410MM REFRACTOR
PZI/85/4K/PCR	PRIZMA 98W, 10,128LM, 4K, 410MM REFRACTOR