



## APPLICATIONS

- Building perimeters
- Public Places
- Car Parks
- Façade illumination

## CONSTRUCTION

- Die-cast aluminium body
- Opal polycarbonate diffuser
- One piece flow gasket

## TECHNICAL DETAILS

- Stainless Steel fixings
- CRI>80
- CCT 3000 or 4000K
- IK08

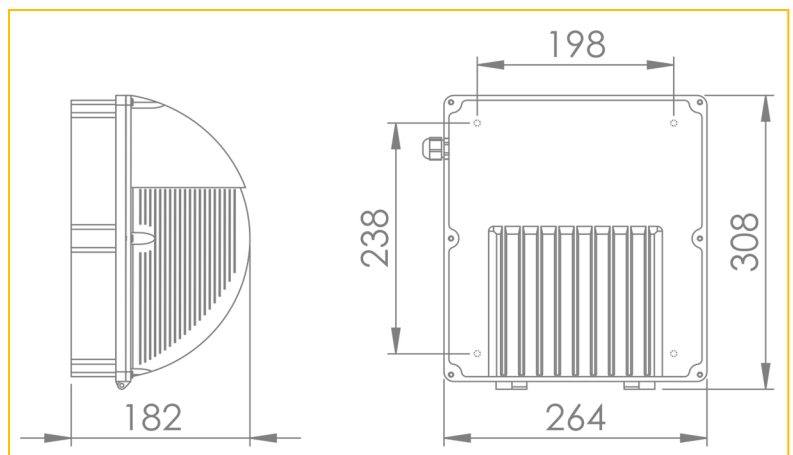
IP65

UK  
CA

## OPTIONS

- /M3 - 3hr emergency
- /D3 - DALI monitored emergency
- /MW1 - Microwave sensor
- /DMW - Dimmable microwave sensor

## DIMENSIONS



ORDER CODE	DESCRIPTION
ARL/27/4K/OP/BK	ARLOWE, 27W, 4K, 2,720LM, FINISHED BLACK
ARL/40/4K/OP/BK	ARLOWE, 40W, 4K, 3,964LM, FINISHED BLACK