

XLP-3



APPLICATIONS

- Retail
- Atrium
- Display
- Reception

CONSTRUCTION

- Injection moulded body
- Body colour options
- supplied with lock bracket

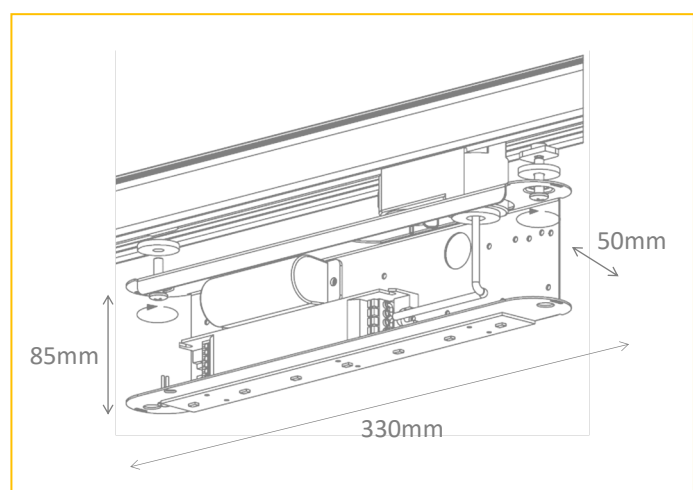
TECHNICAL DETAILS

- CCT 5000K
- Suitable for - Eutrac, Global & Stucci Systems
- CRI >80
- 1 x 2w LED 209 lumens
- Lithium battery technology LiFePO₄

OPTIONS

- /WH - White body RAL 9016
- /BK - Black body RAL9005
- /EU - Eutrac adaptor
- /GL - Global adaptor
- /STC - Stucci adaptor
- /DALI - DALI monitored emergency

DIMENSIONS



PRODUCT CODE	DESCRIPTION
XLP/NM3/WH/**	XLP NON-MAINTAINED FINISHED WHITE