



APPLICATIONS

- Meeting rooms
- Corridors
- Gallery

CONSTRUCTION

- Die-cast aluminium housing epoxy powder coated
- Faceted reflector

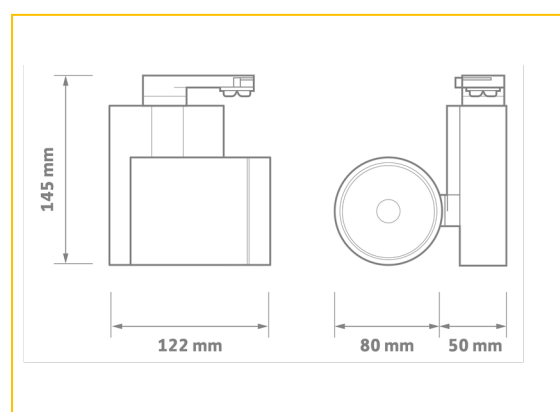
TECHNICAL DETAILS

- Various Wattages
- CRI>80
- CCT Options 3000K, 4000K
- Colour body option WH, BK

OPTIONS

- /DALI - DALI/DSI dimming
- /9 - Ra 90 colour rendering
- /NB - Narrow beam angle
- /WB - Wide beam angle
- /BK - Black finish

DIMENSIONS



| ORDER CODE | DESCRIPTION |
|---------------|---------------------------------|
| KN/1000/40/WH | KENNETT 1025LM 4000K WHITE BODY |
| KN/1700/40/WH | KENNETT 1750LM 4000K WHITE BODY |