

C130-T



APPLICATIONS

- Meeting rooms
- Corridors
- Gallery

CONSTRUCTION

- Die-cast aluminium housing epoxy powder coated
- Faceted reflector

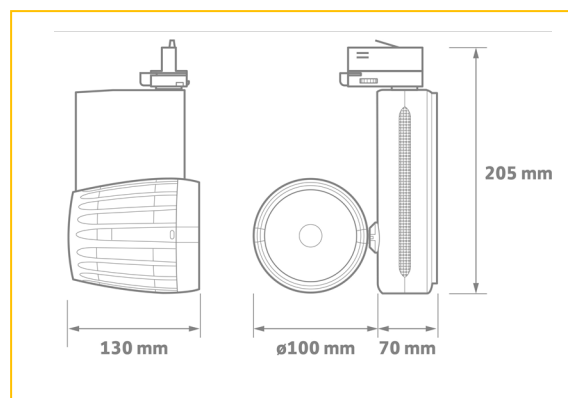
TECHNICAL DETAILS

- Various Wattages
- CRI>80
- CCT Options 3000K, 4000K
- Colour body option WH, BK, SG

OPTIONS

- /DALI - DALI/DSI dimming
- /9 - Ra 90 colour rendering
- /24 - 24° Beam angle
- /40 - 40° Beam angle
- /60 - 60° Beam angle

DIMENSIONS



ORDER CODE	DESCRIPTION
C130T/1300/40/WH	C130T 12W 1100LM 4000K WHITE BODY
C130T/2000/40/WH	C130T 18W 2000LM 4000K WHITE BODY
C130T/2700/40/WH	C130T 27W 2700LM 4000K WHITE BODY
C130T/4000/40/WH	C130T 38W 4000LM 4000K WHITE BODY

