



APPLICATIONS

- Building perimeters
- Landscapes
- Car Parks

CONSTRUCTION

- Die-cast aluminium body with integral heatsink
- Polycarbonate diffuser
- Chromate conversion powder coated

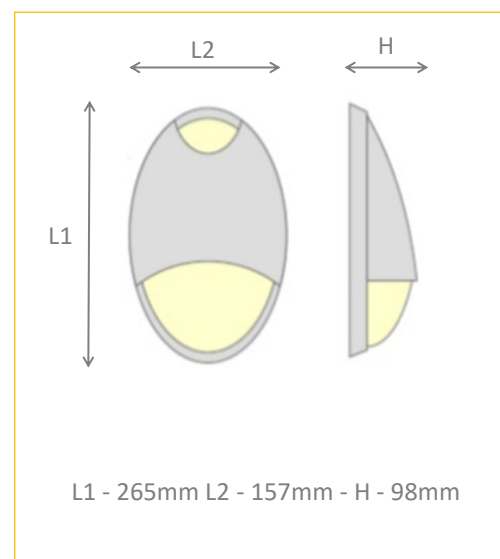
TECHNICAL DETAILS

- Switchable integral photo-cell
- Type IV Optic
- CRI>80
- CCT 5000K

OPTIONS

- /M3 - 3hr Emergency
- /CPF - Custom paint finish

DIMENSIONS



ORDER CODE	DESCRIPTION
ET/10/5K/CL/BK	ETON 10W HOOD 1192LM BLACK BODY