

Capri - 200



CONSTRUCTION

- Spun aluminium body epoxy powder coated white
- Choice of Aluminium reflector

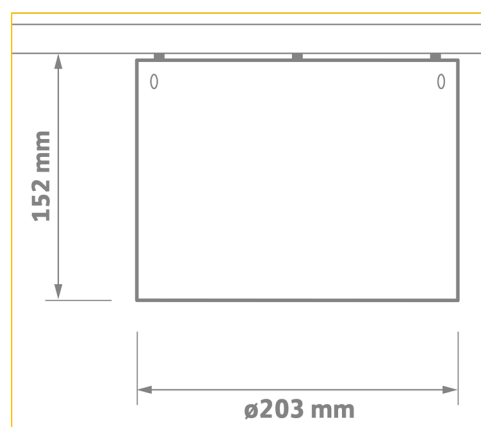
APPLICATIONS

- Classrooms
- Corridors
- Canteens
- Receptions

TECHNICAL DETAILS

- CRI>80
- CCT colour option 3000K, 4000K
- Philips DOB
- Philips Chip set

DIMENSIONS



Capri - 200

ACCESSORIES



/SUS

2m suspension kit



/CBC

Custom body colour



/TA340

Clear glass



/TA341

Centre etched glass



/TA342

Full etched glass

Note glass attachments are factory fit only

PRODUCT CODE	POWER	TEMP (K)	OUTPUT (LM)
C200/1000/30/WH	10W	3000K	950LM
C200/1000/40/WH	10W	4000K	950LM
C200/1700/30/WH	18W	3000K	1700LM
C200/1700/40/WH	18W	4000K	1700LM
C200/2500/30/WH	27W	3000K	2550LM
C200/2500/40/WH	27W	4000K	2550LM

OPTIONS

/DALI	TOUCH DIM / DALI
/GY	GREY BODY FINISH
/BK	BLACK BODY FINISH
/SR	SPECULAR REFLECTOR
/MFR	MULTI-FACET REFLECTOR